

[54] STOVE

[75] Inventor: Robert A. Berryhill, Greensboro, N.C.

[73] Assignee: Autsin-Berryhill Fabricators, Inc., Greensboro, N.C.

[**] Term: 14 Years

[21] Appl. No.: 60,500

[22] Filed: Jul. 25, 1979

[51] Int. Cl. D23-03

[52] U.S. Cl. D23/94

[58] Field of Search D23/72, 93-97, D23/105, 106, 107, 118, 119, 127; 126/4, 6, 120, 121, 123, 126, 130, 135, 136, 141, 58-66

[56]

References Cited

U.S. PATENT DOCUMENTS

- D. 250,204 11/1978 Turner D23/97
- 3,970,067 7/1976 Vaughn 126/120
- 4,026,264 5/1977 Henriques 126/121 X
- 4,117,827 10/1978 Billmeyer 126/121

Primary Examiner—Catherine E. Kemper
Attorney, Agent, or Firm—Cushman, Darby & Cushman

[57]

CLAIM

The ornamental design for a stove, substantially as shown and described.

DESCRIPTION

FIG. 1 is a front perspective view of the door portion of the stove, showing my new design;
 FIG. 2 is a front perspective view of the entire stove;
 FIG. 3 is a front elevational view thereof;
 FIG. 4 is a side elevational view thereof;
 FIG. 5 is a top plan view thereof.

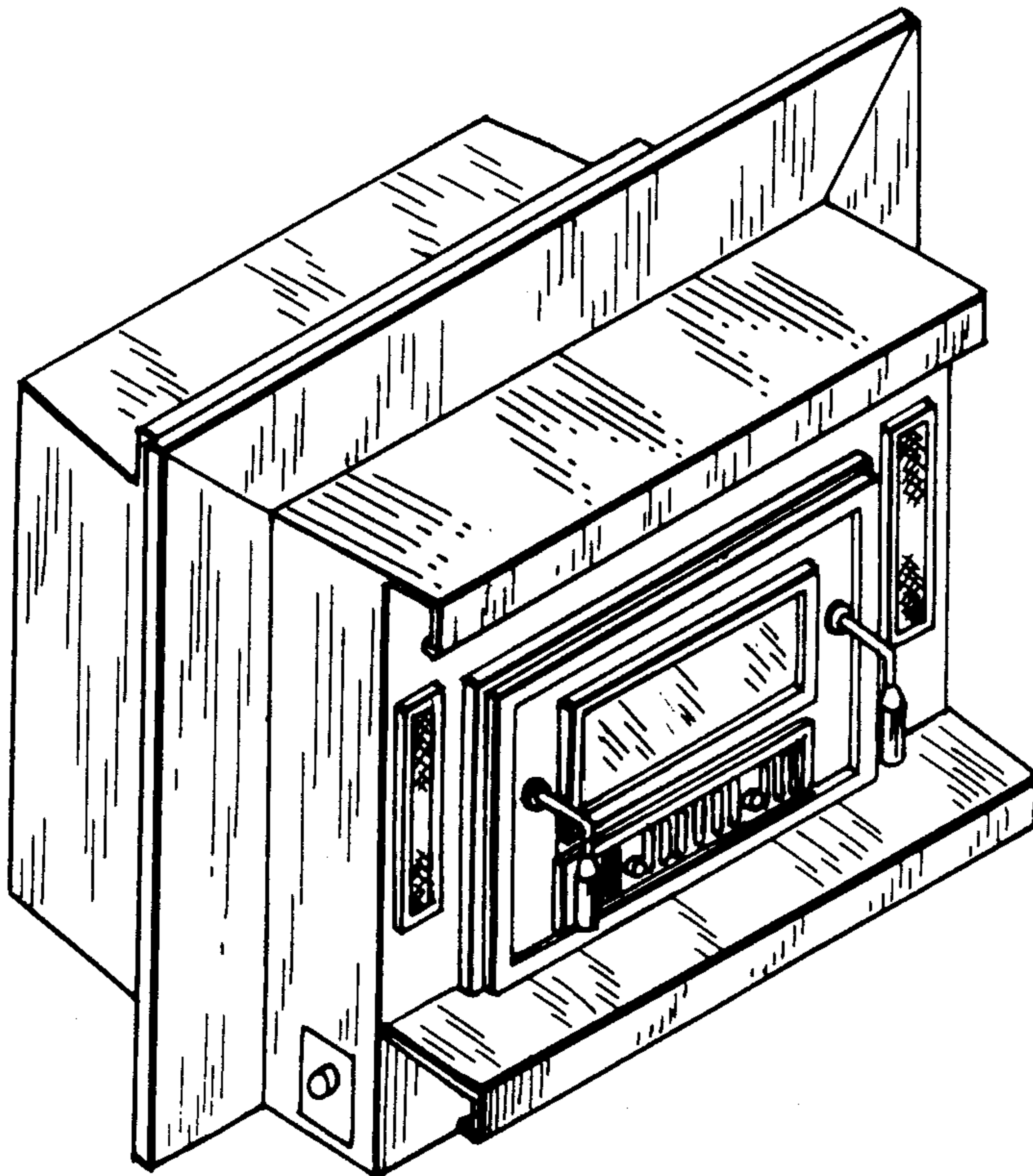


Fig. 1.

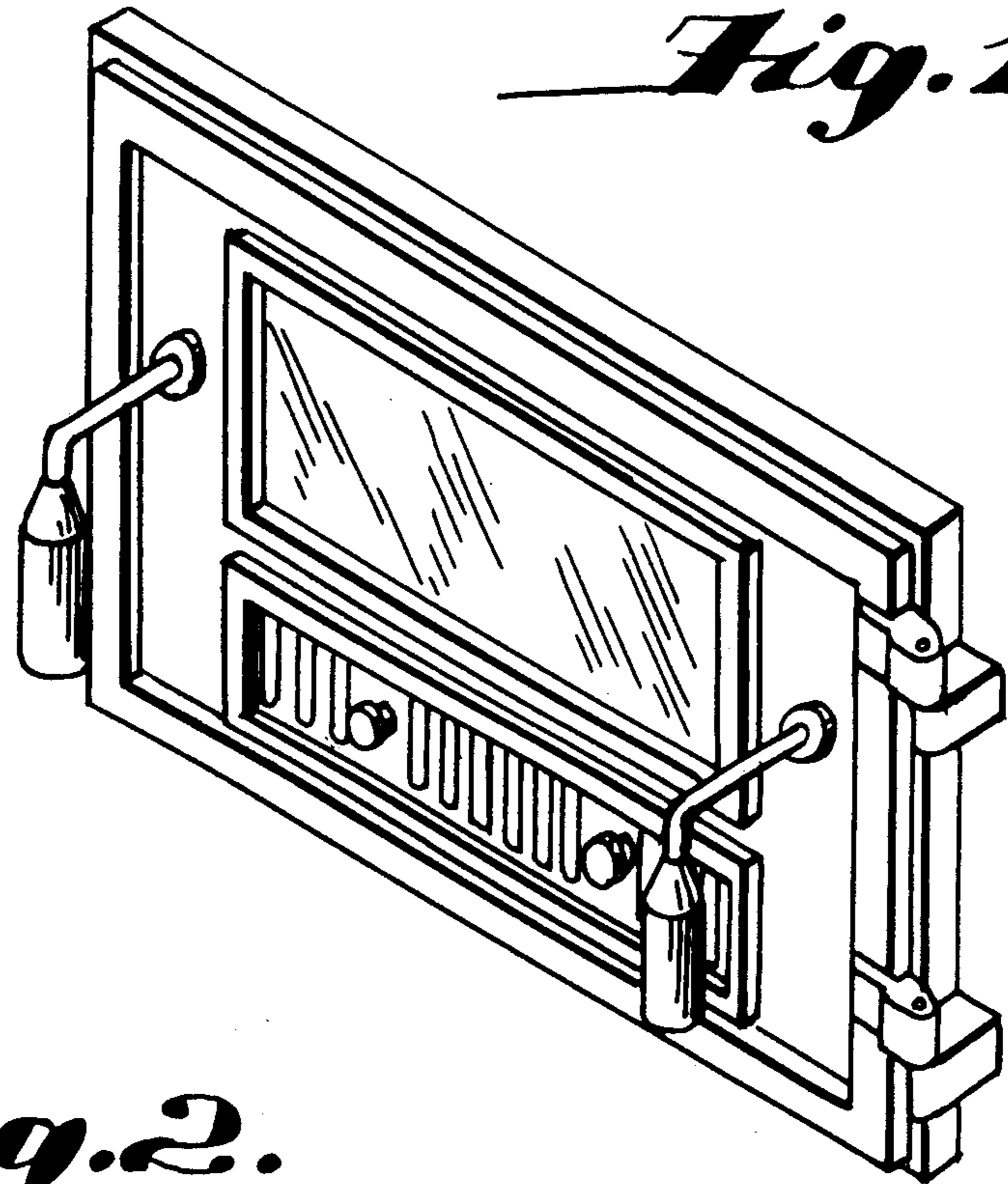


Fig. 2.

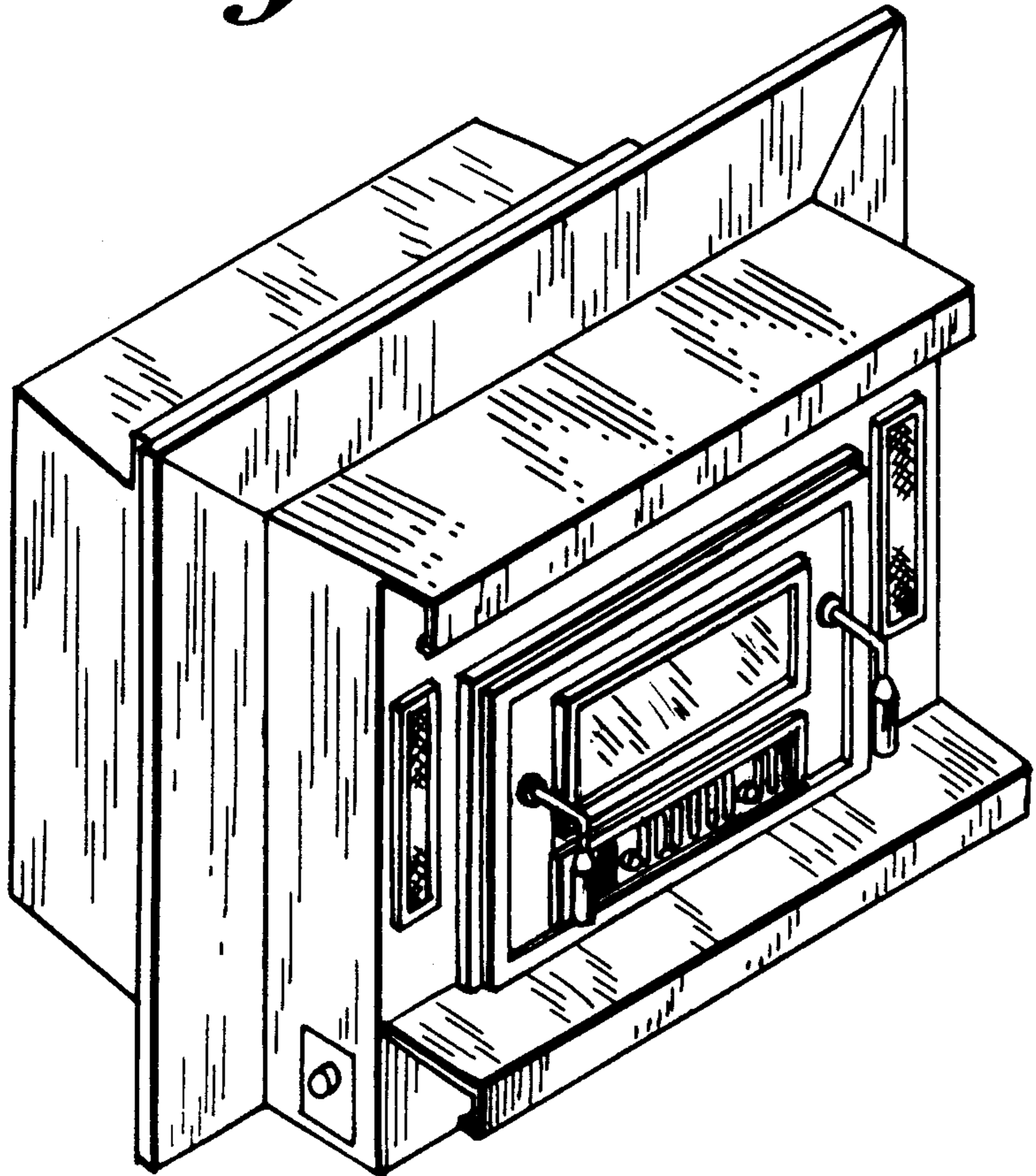


Fig. 3.

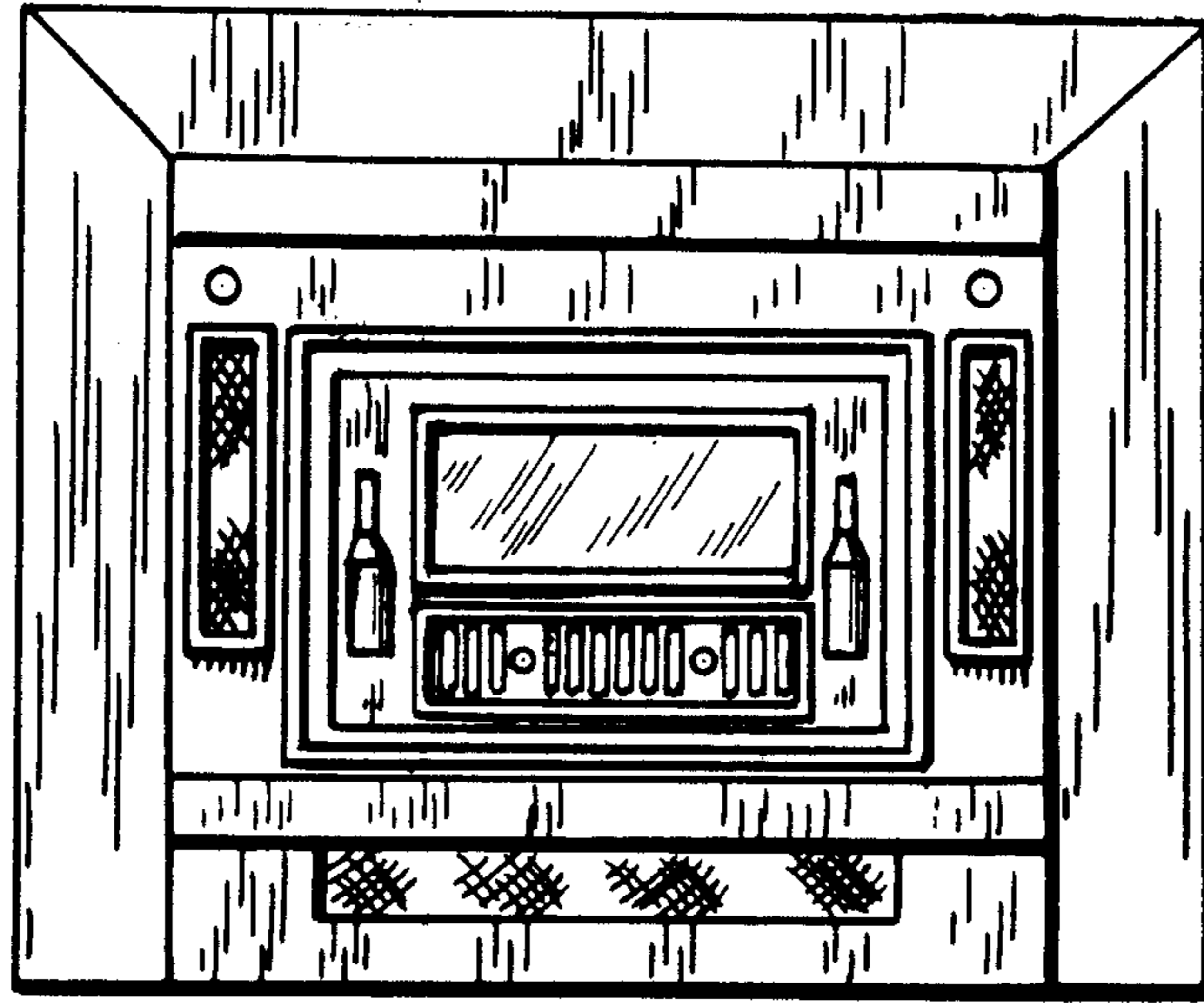


Fig. 4.

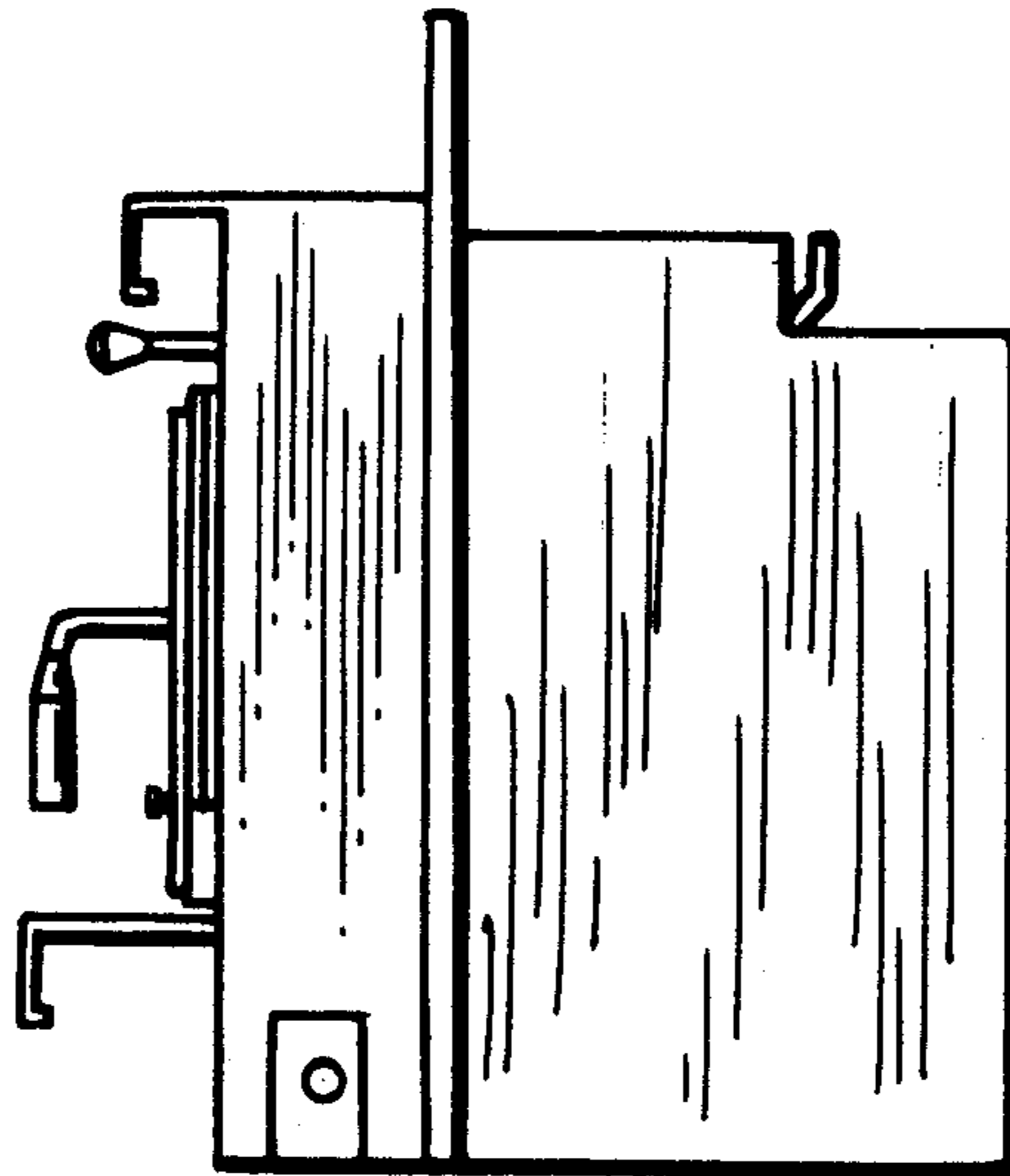


Fig. 5.

