

[54] CASH REGISTER

[75] Inventor: Gerhard Schuldt, Orlinghausen, Fed. Rep. of Germany

[73] Assignee: Bielefelder Elektronik und Apparatebau GmbH, Bielefeld, Fed. Rep. of Germany

[**] Term: 14 Years

[21] Appl. No.: 52,628

[22] Filed: Jun. 27, 1979

[51] Int. Cl. D18-01

[52] U.S. Cl. D18/4

[58] Field of Search D18/4, 7, 11; D14/40, D14/42, 45, 50; 235/1 D, 1 E, 7 R

[56] References Cited

U.S. PATENT DOCUMENTS

- D. 204,413 4/1966 Crease D18/4
- D. 220,694 5/1971 Crease D14/45
- D. 231,122 4/1974 Kaufman D18/4
- D. 233,062 10/1974 Maeda D18/4

- D. 244,150 4/1977 Rittenhouse D18/4
- D. 247,587 3/1978 Sakamoto D18/4
- 3,733,464 5/1973 Oldenburg 235/7 R

OTHER PUBLICATIONS

Jeweler's Circular-Keystone, 5/77, p. 24, cash register at bottom.

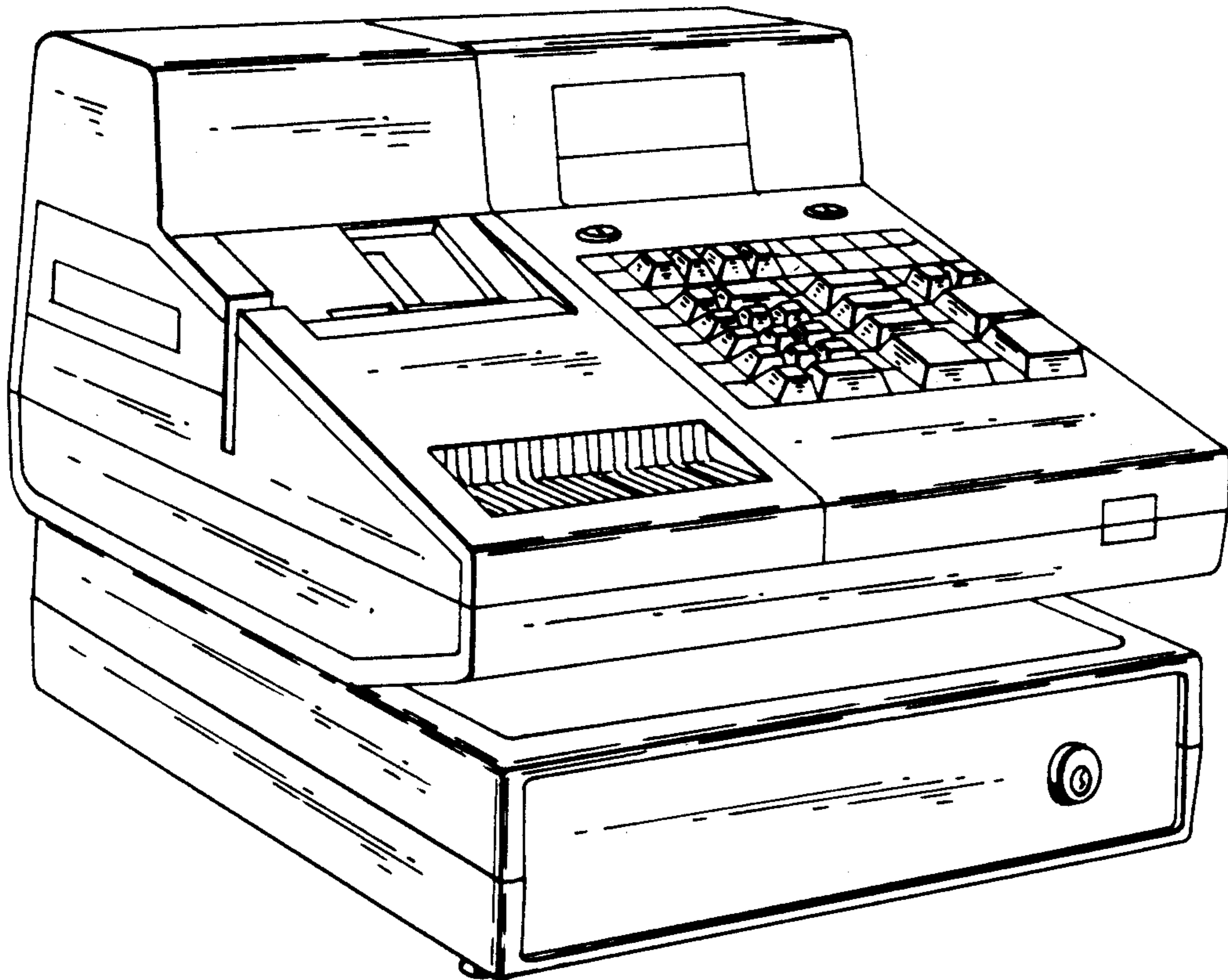
Primary Examiner—Nelson C. Holtje
Attorney, Agent, or Firm—Herbert L. Lerner

[57] CLAIM

The ornamental design for the cash register, as shown and described.

DESCRIPTION

FIG. 1 is a top and left front perspective view of a cash register showing my new design;
 FIG. 2 is a top and left rear perspective view thereof;
 FIG. 3 is a right side elevational view thereof;
 FIG. 4 is a bottom plan view of the upper cash register housing;
 FIG. 5 is a bottom plan view of the lower drawer housing.



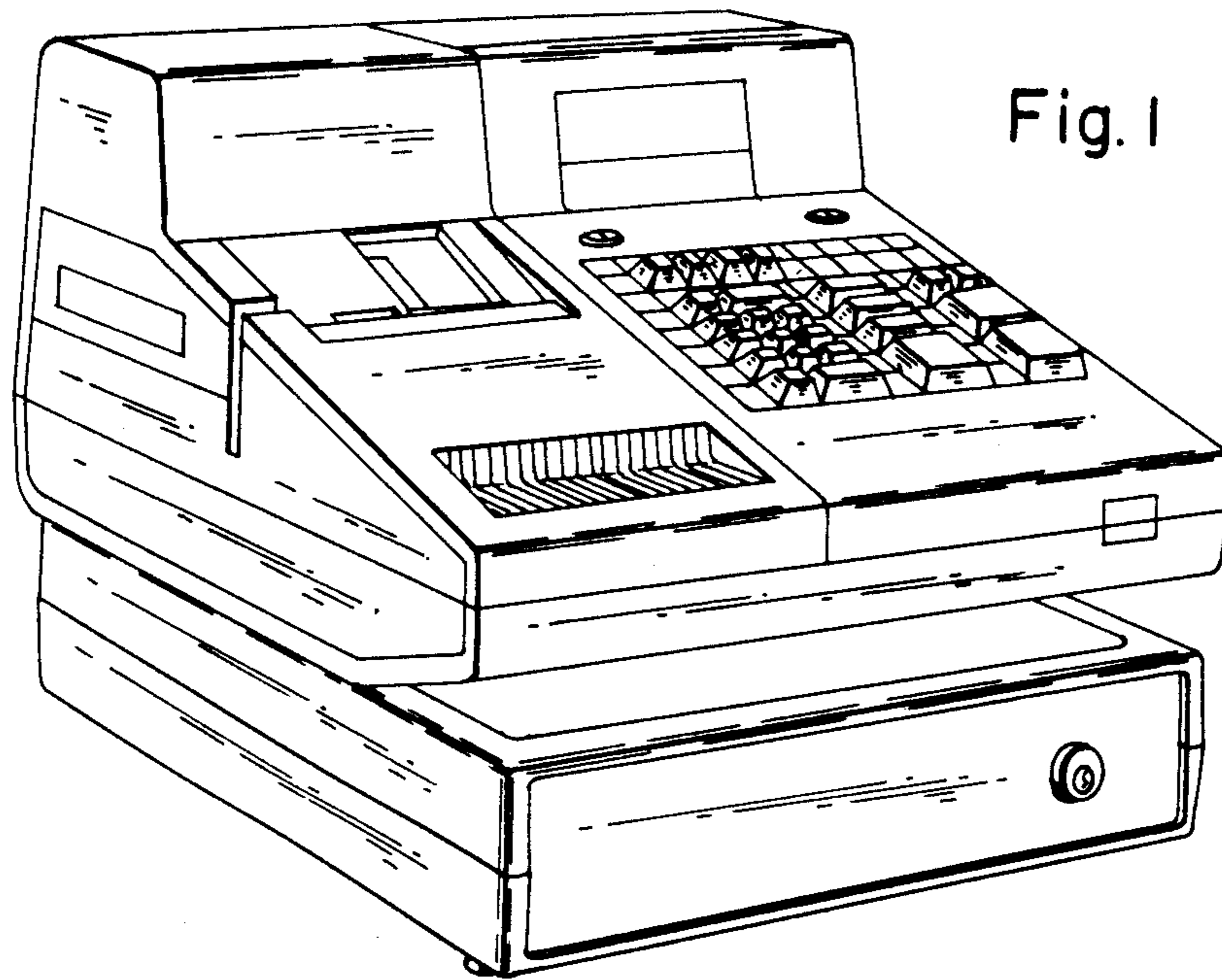


Fig. 1

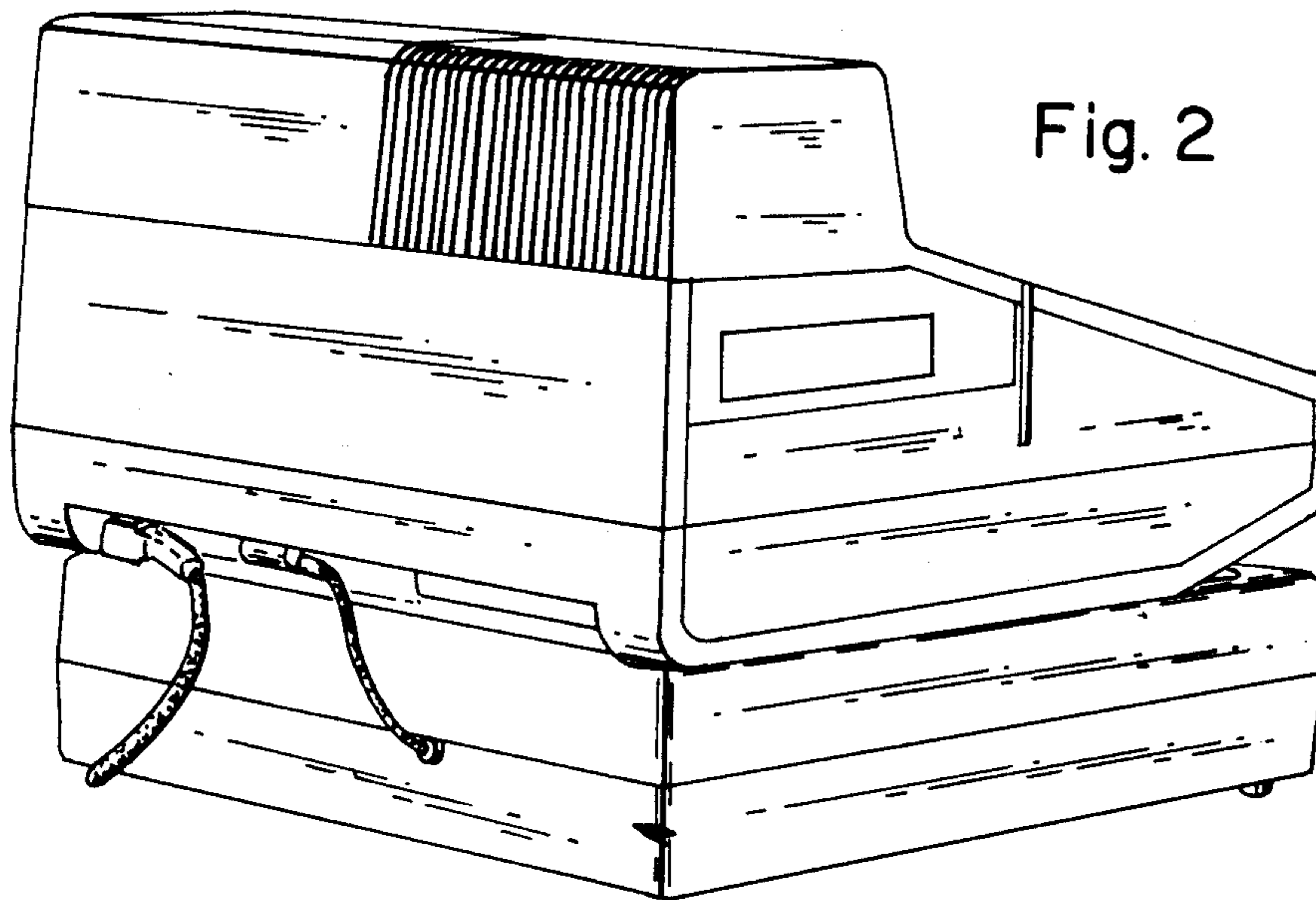


Fig. 2

Fig. 3

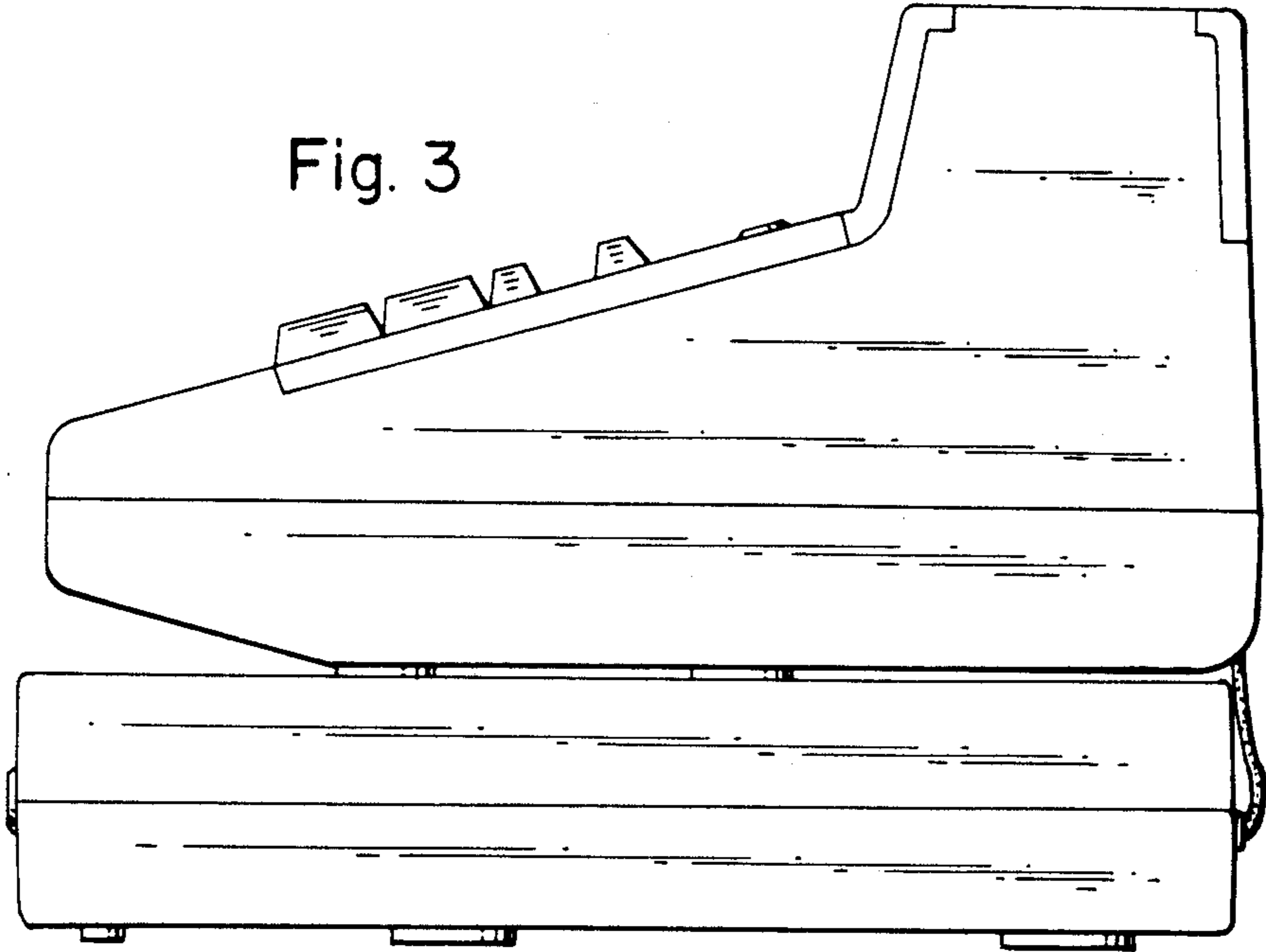
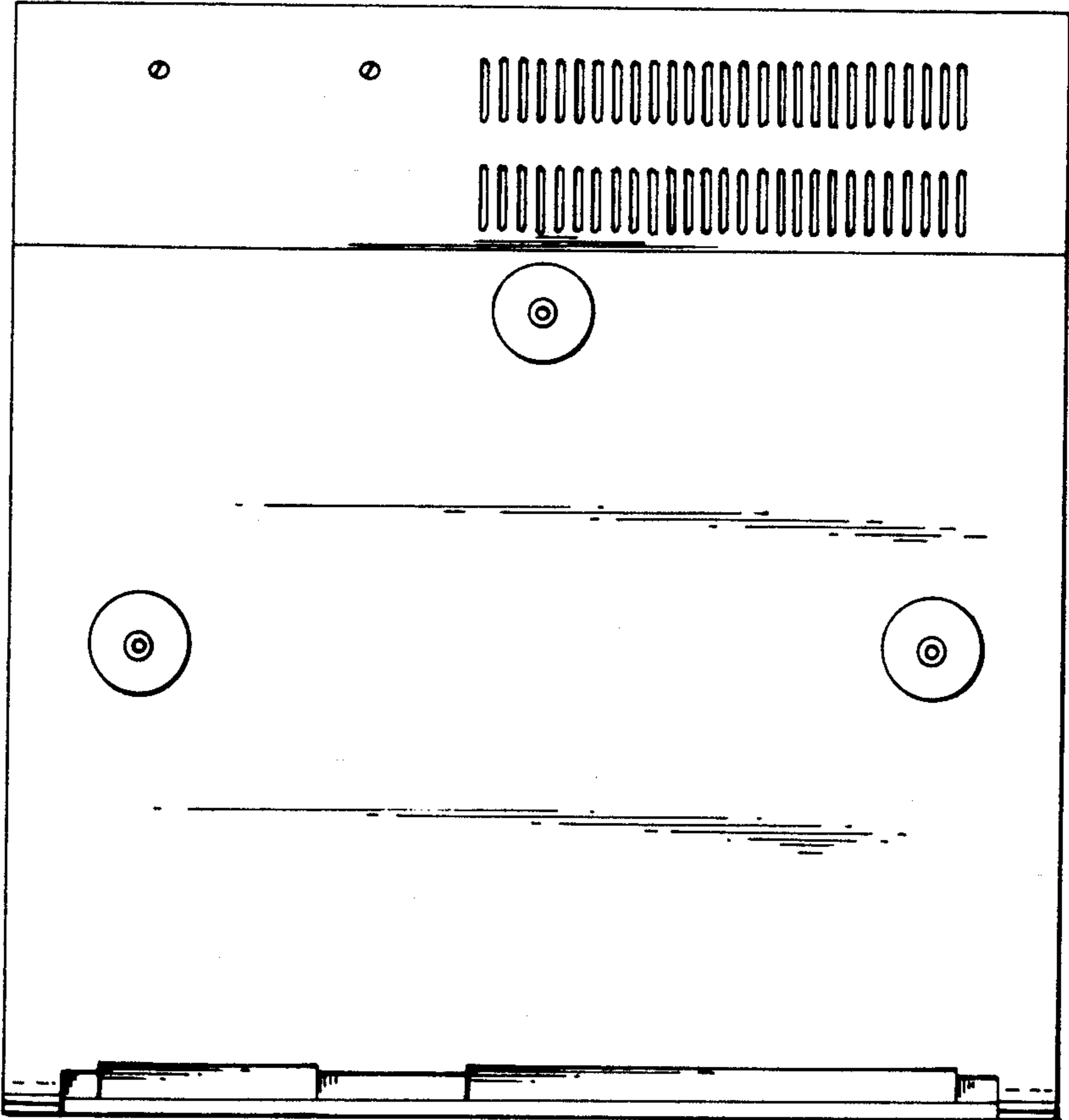


Fig. 4



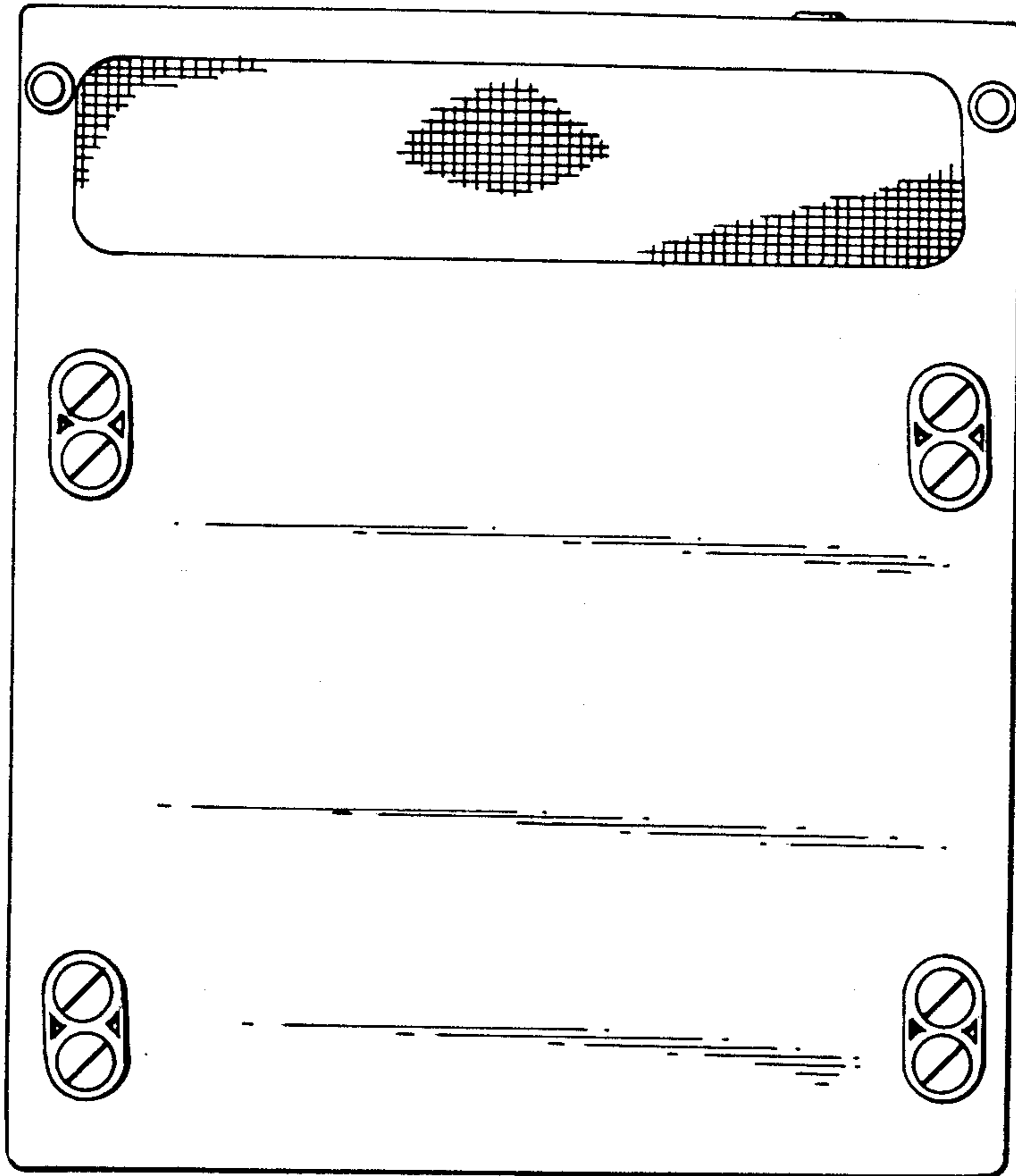


Fig. 5