

[54] **AERATOR MOTOR ASSEMBLY FOR A SEWER SYSTEM**

[76] Inventor: **David S. MacLaren**, 21176 Brantley Rd., Shaker Heights, Ohio 44122

[**] Term: **14 Years**

[21] Appl. No.: **963,038**

[22] Filed: **Nov. 22, 1978**

[51] Int. Cl. **D15-02**

[52] U.S. Cl. **D15/7; D13/2**

[58] Field of Search **D23/1; D15/7, 8, 9; 261/87, 93; 417/424; D13/1, 2**

[56] **References Cited**

U.S. PATENT DOCUMENTS

- D. 154,486 7/1949 Horowitz D15/8
- D. 188,442 7/1960 Beard et al. D15/7
- D. 236,898 9/1975 Holther, Jr. D13/1
- D. 237,007 9/1975 MacLaren D23/1 X

- D. 240,264 6/1976 MacLaren D23/1 X
- D. 254,671 4/1980 Johnson et al. D15/7
- 2,364,686 12/1944 Balisteri et al. D15/8 X
- 2,928,661 3/1960 MacLaren 261/87
- 3,210,053 10/1965 Boester 261/93 X
- 3,367,071 2/1968 MacLaren 261/24 X
- 3,400,918 9/1968 MacLaren 261/87

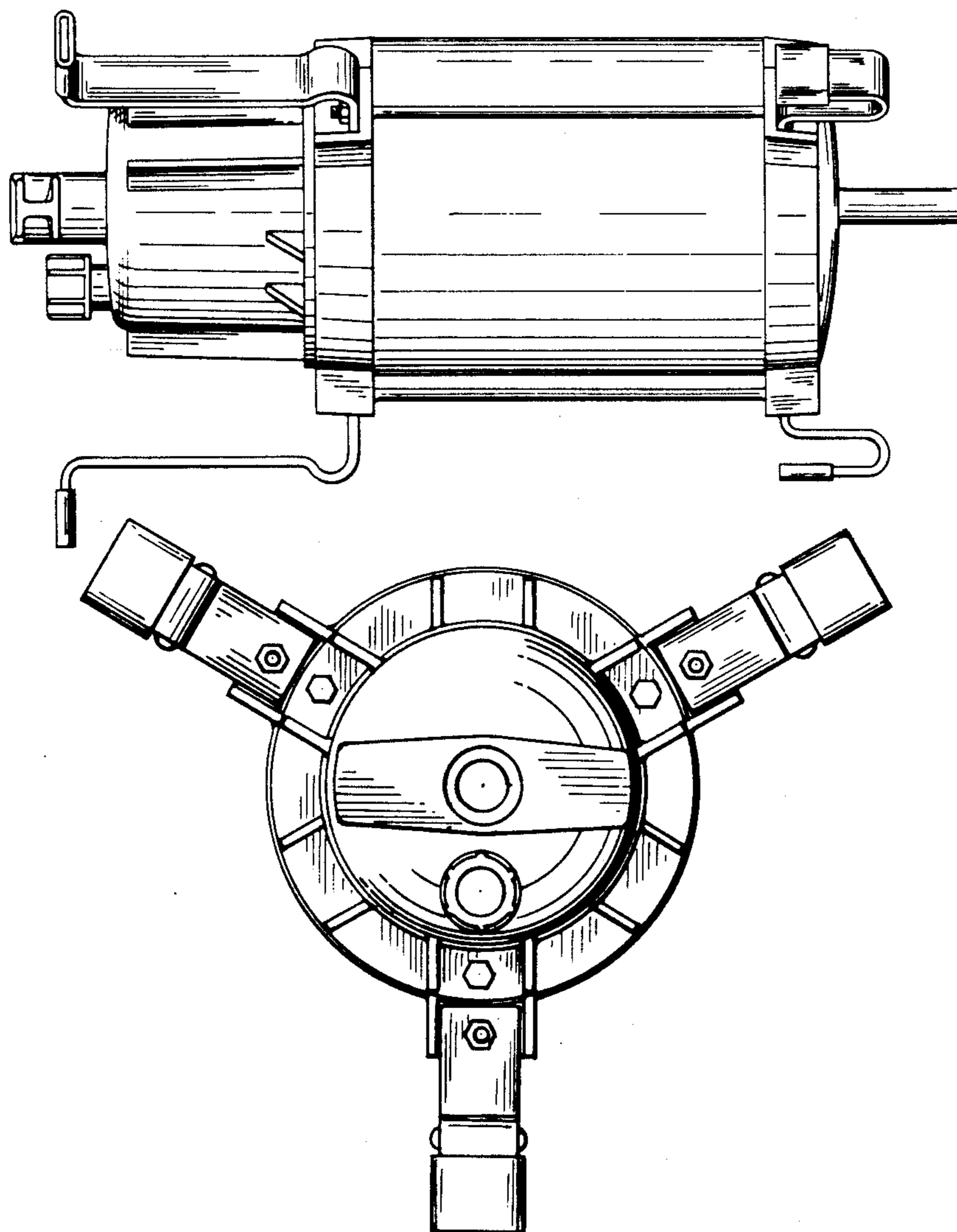
Primary Examiner—James R. Lergen

[57] **CLAIM**

The ornamental design for an aerator motor assembly for a sewer system, substantially as shown and described.

DESCRIPTION

FIG. 1 is a front elevational view of an aerator motor assembly for a sewer system embodying my new design, the rear being a mirror image of the front shown; FIG. 2 is a top plan view thereof; FIG. 3 is a bottom plan view thereof; FIG. 4 is a left end elevational view thereof; and FIG. 5 is a right end elevational view thereof.



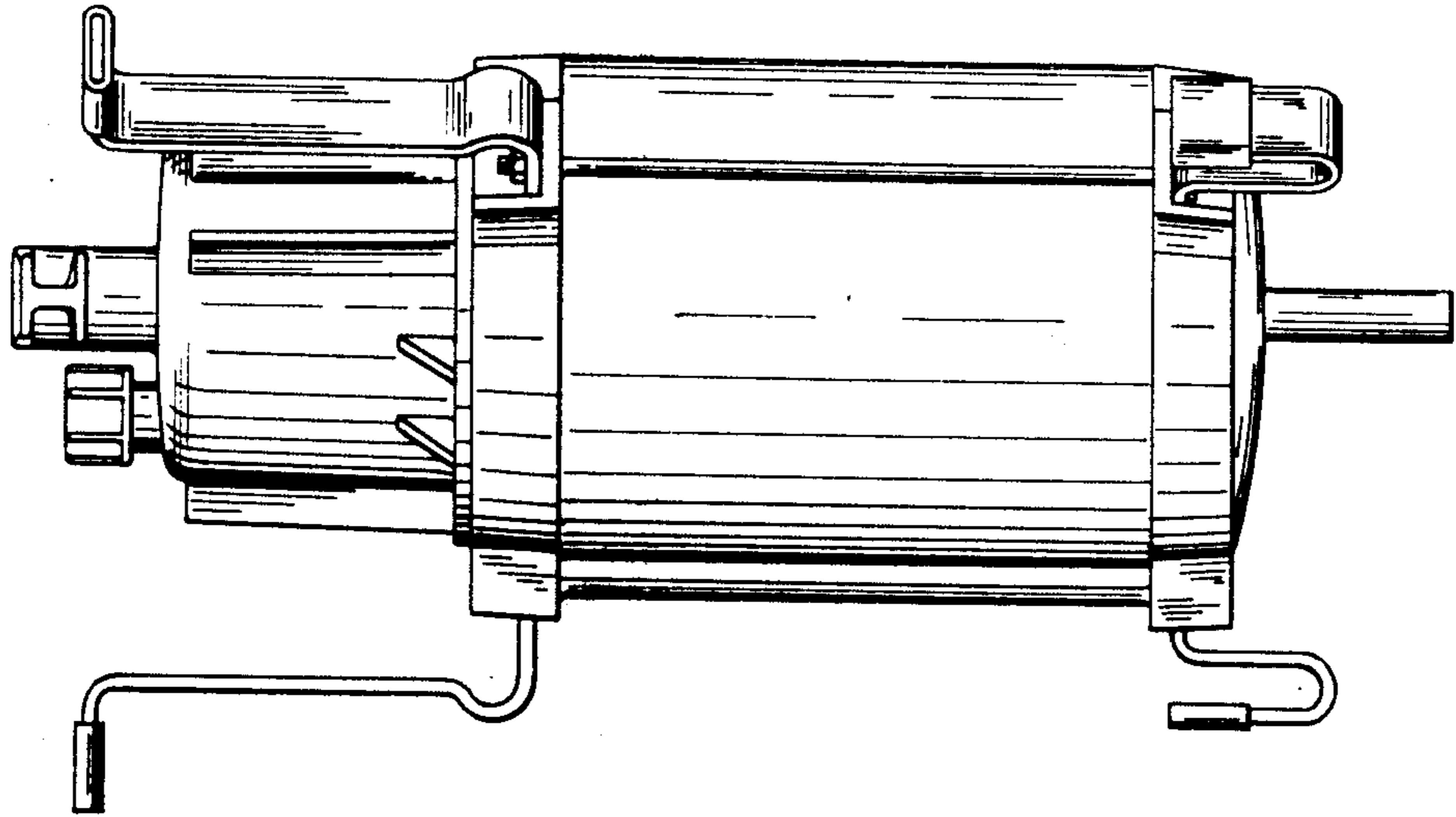


Fig. 1

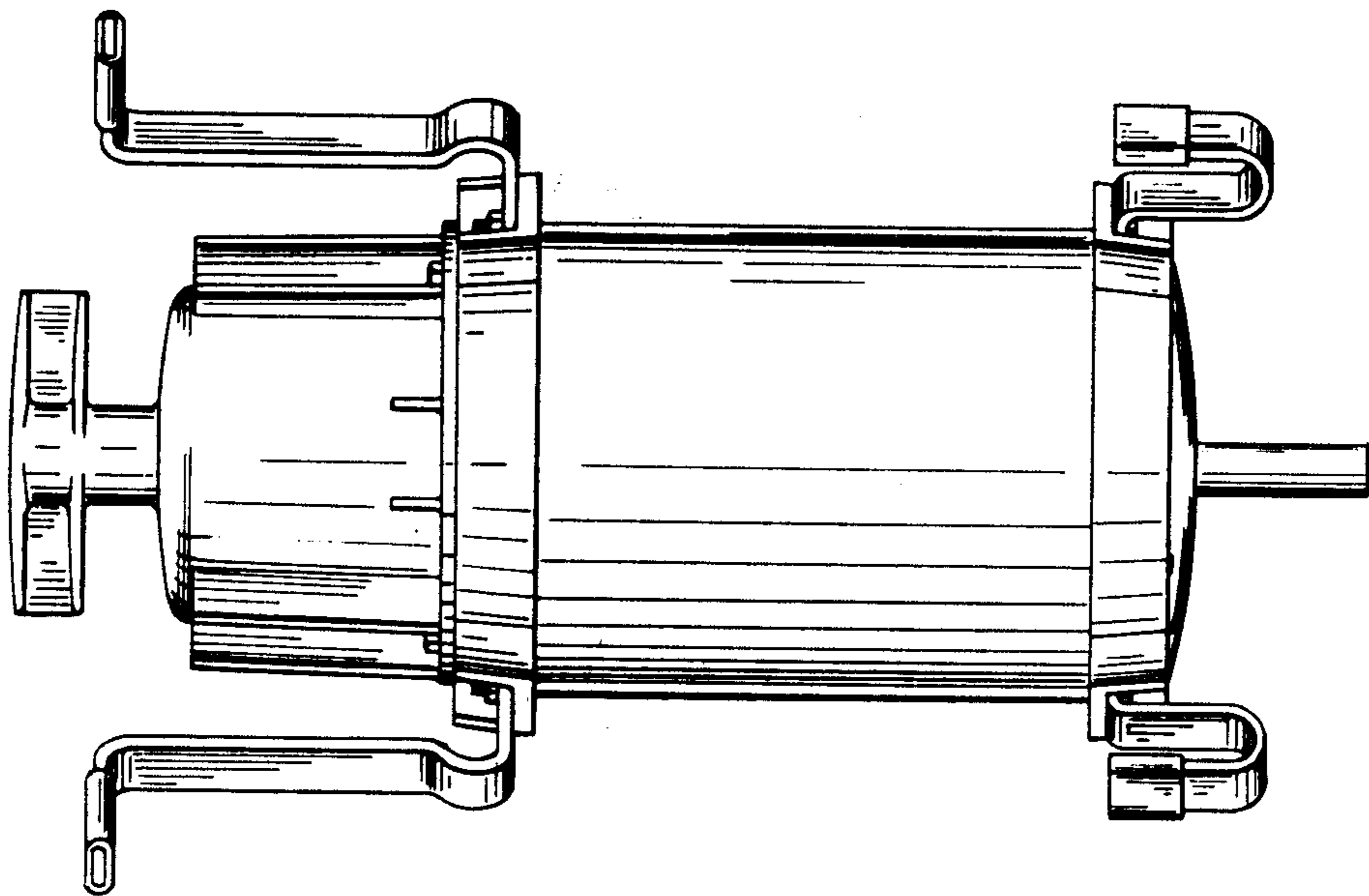


Fig. 2

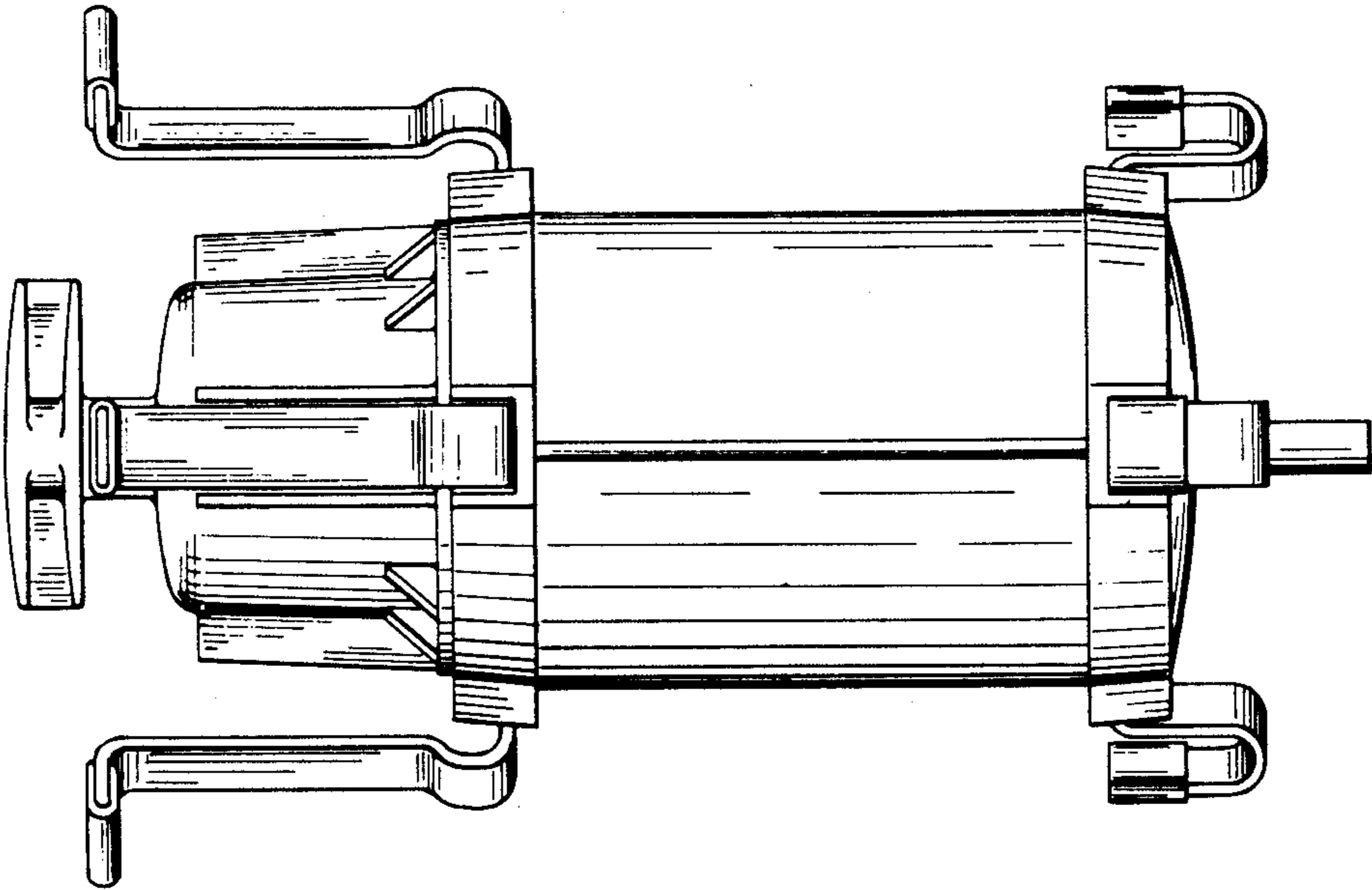


Fig. 3

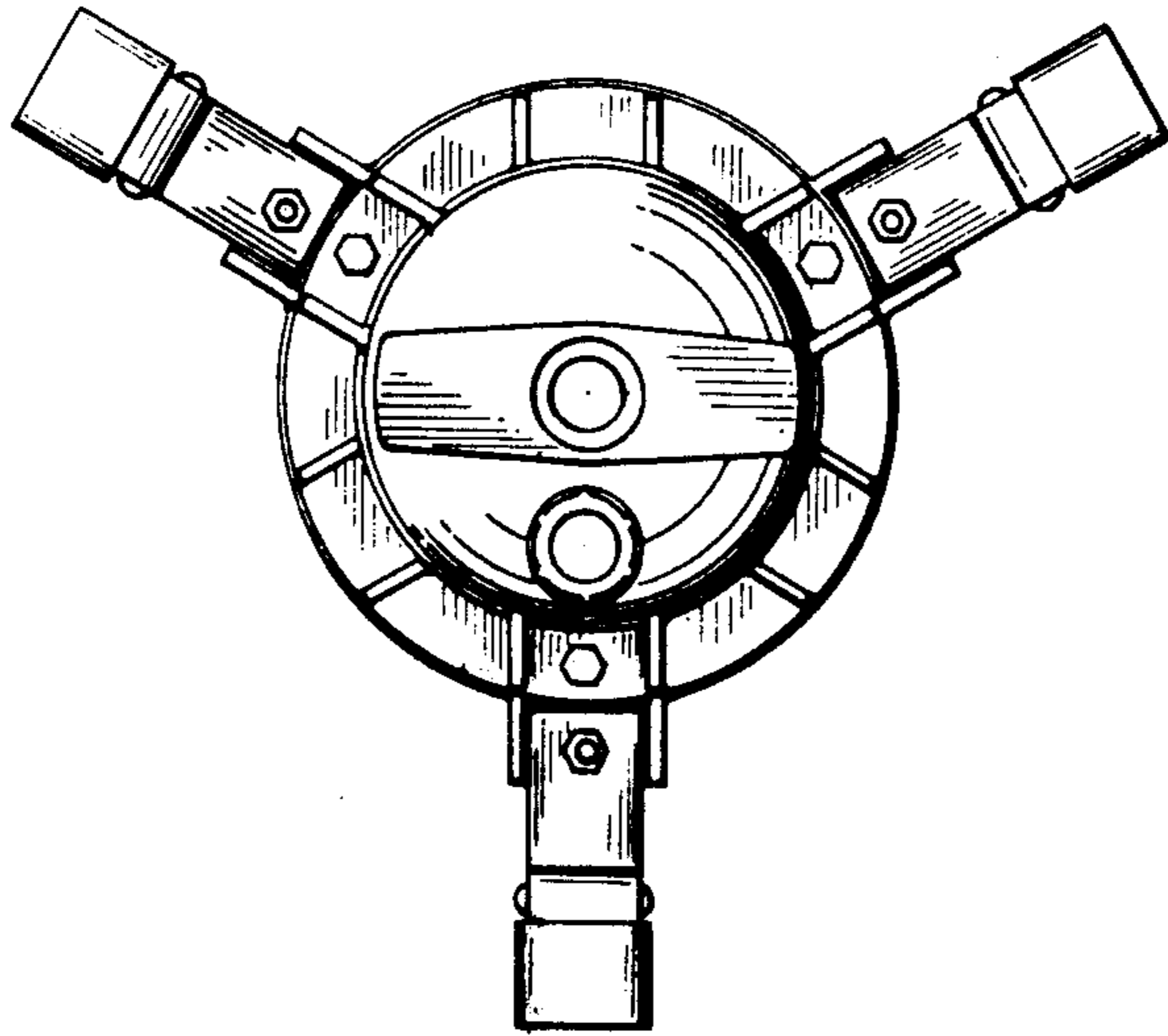


Fig. 4.

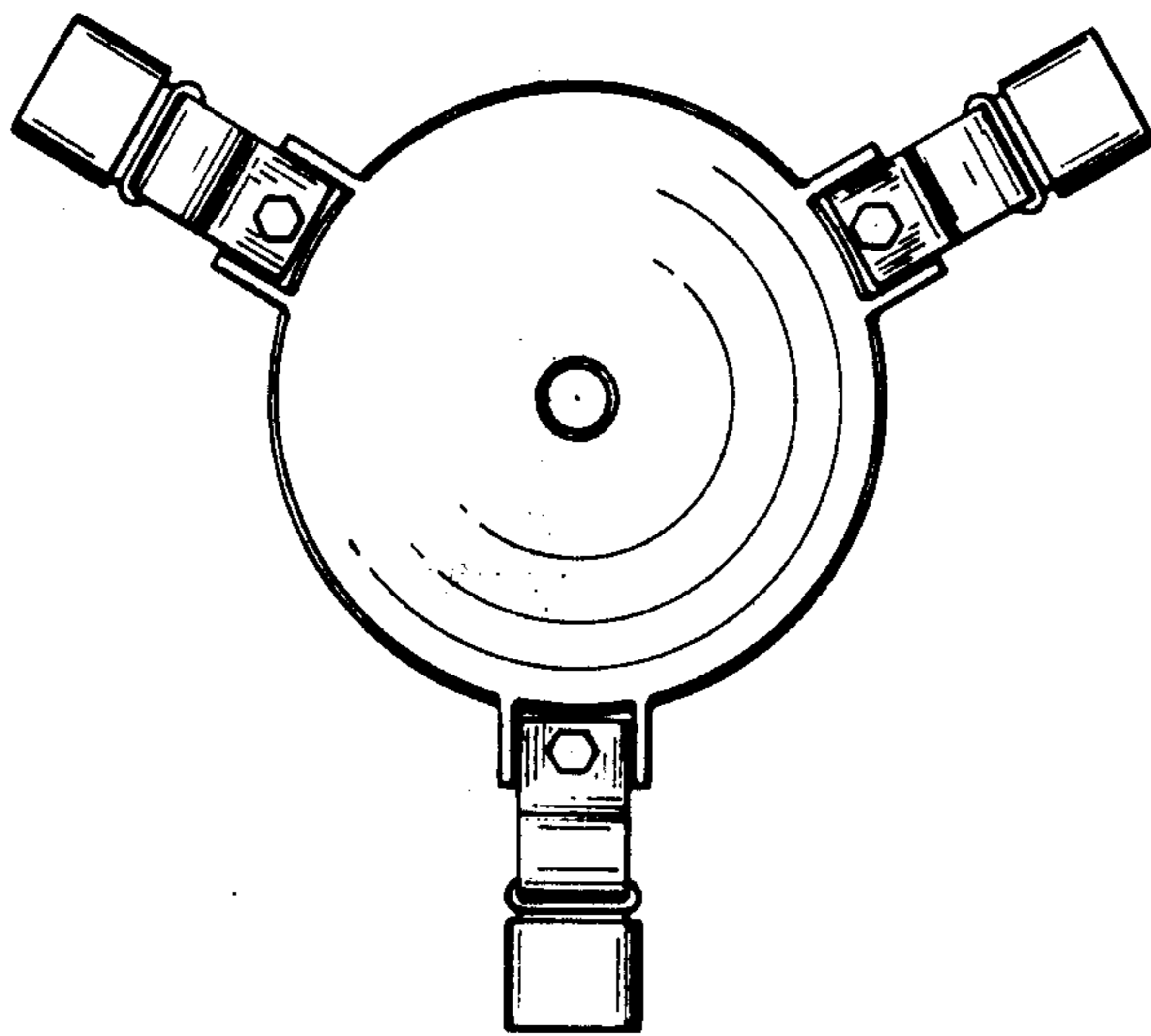


Fig. 5.