

[54] PORTABLE BURGLAR ALARM

[56]

References Cited

[76] Inventors: John I. Menzies; Maureen Menzies, both of 49 Almay St., Kenmore, Queensland, 4069, Australia

U.S. PATENT DOCUMENTS

D. 240,410	7/1976	Fujiwara .....	D10/106
3,643,249	2/1972	Haywood .....	340/542
3,732,843	5/1973	Pappas et al. ....	D10/106 X
3,878,539	4/1975	Gooding .....	340/546

[\*\*] Term: 14 Years

Primary Examiner—Susan J. Lucas  
Attorney, Agent, or Firm—Schwartz, Jeffery, Schwaab, Mack, Blumenthal & Koch

[21] Appl. No.: 34,077

[22] Filed: Apr. 27, 1979

[57] CLAIM

[30] Foreign Application Priority Data

The ornamental design for a portable burglar alarm, as shown and described.

Oct. 31, 1978 [AU] Australia ..... 76364/78

[51] Int. Cl. .... D10-06

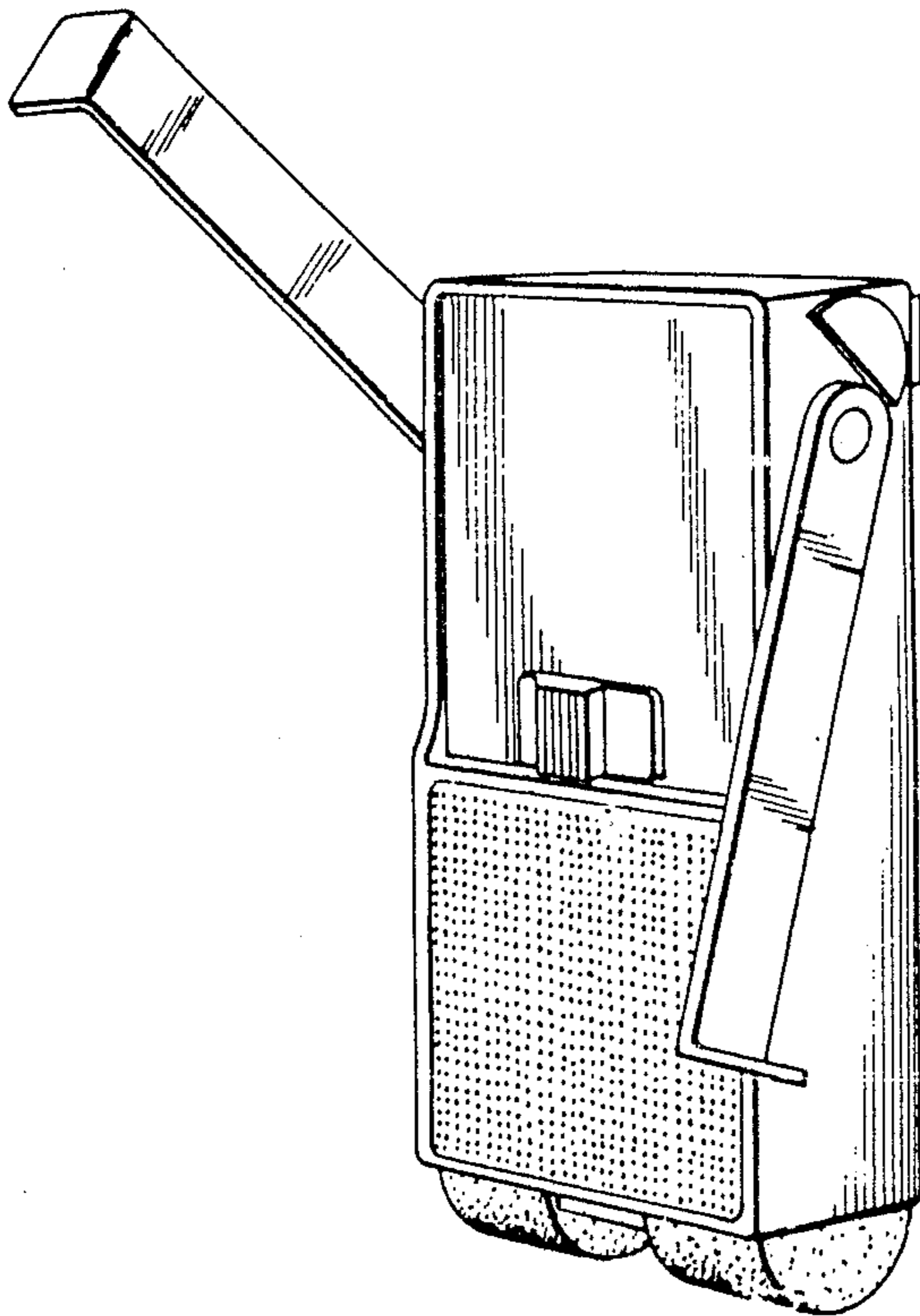
DESCRIPTION

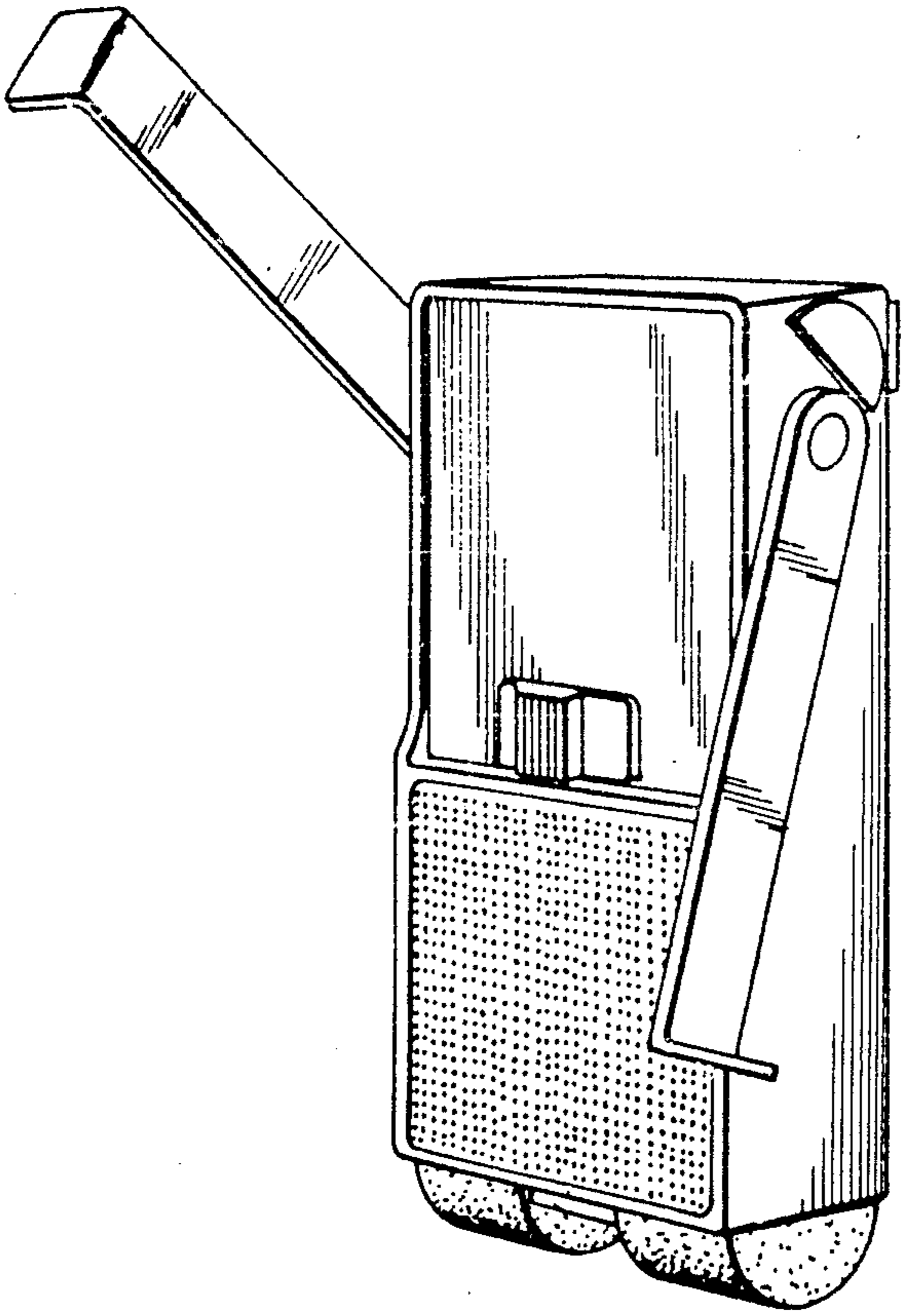
[52] U.S. Cl. .... D10/106

FIG. 1 is a front perspective view of a portable burglar alarm showing our new design;

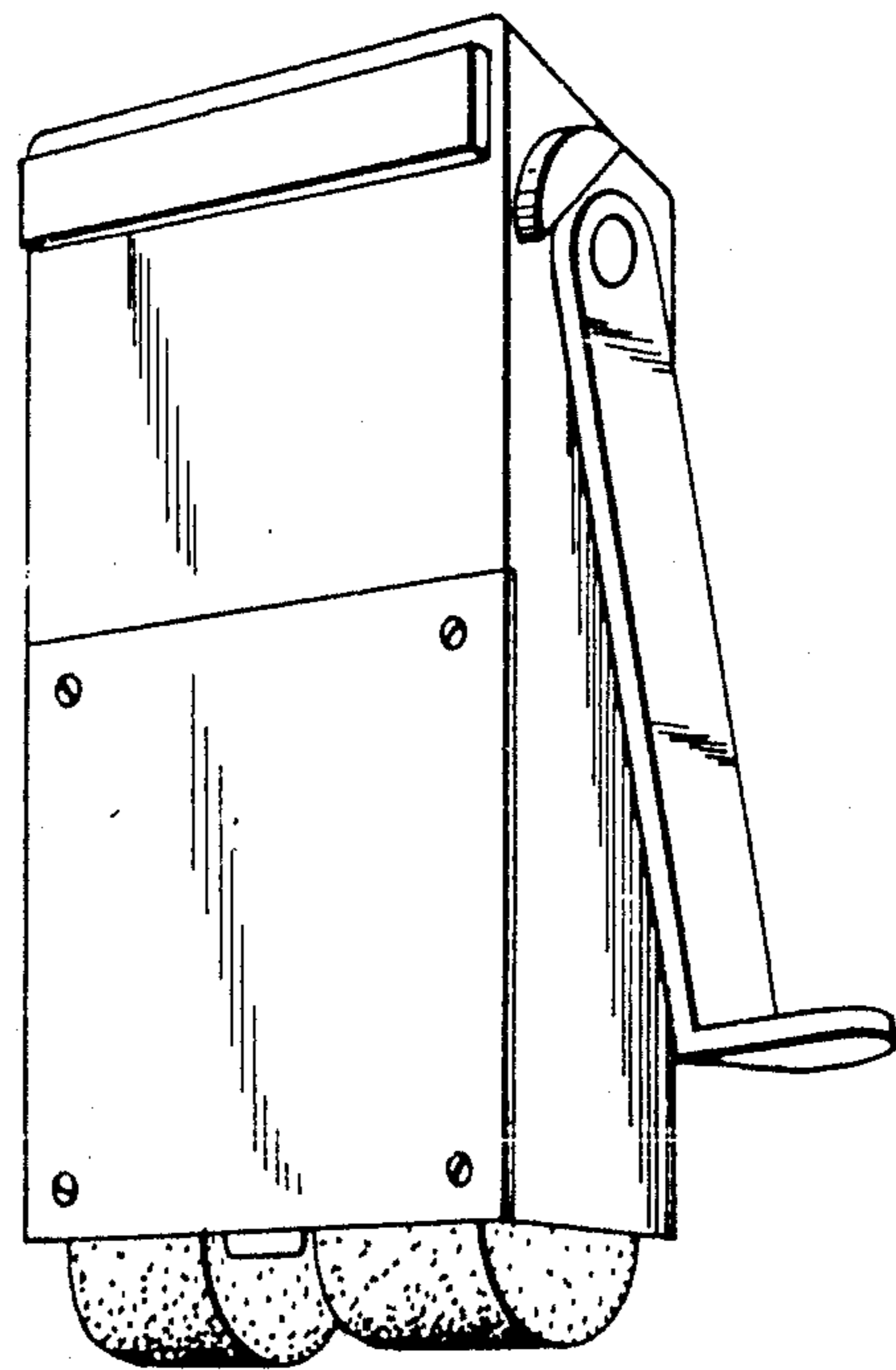
[58] Field of Search ..... D10/104, 106, 121; 340/541-547, 551, 552, 555, 556, 565, 566, 577, 578, 579

FIG. 2 is a rear perspective view thereof with the pivoted arms in an alternate position.





*FIG. 1*



*FIG. 2*