

[54] DISPLAY BOX

[75] Inventor: **Kenneth R. Nelson**, West Vancouver, Canada

[73] Assignee: **Schlage Lock Company**, San Francisco, Calif.

[**] Term: **14 Years**

[21] Appl. No.: **19,429**

[22] Filed: **Mar. 12, 1979**

[51] Int. Cl. **D9-03**

[52] U.S. Cl. **D9/418**

[58] Field of Search 206/44 R, 45.19, 45.14, 206/45.31; D9/224, 193, 232-240, 171; 229/29 F

[56] **References Cited**

U.S. PATENT DOCUMENTS

D. 108,605	2/1938	Nagle	D9/224
D. 191,145	8/1961	Cesareo	D9/224
D. 216,296	12/1969	Skowronski	D9/193
3,899,119	8/1975	Roccaforte	206/45.19 X

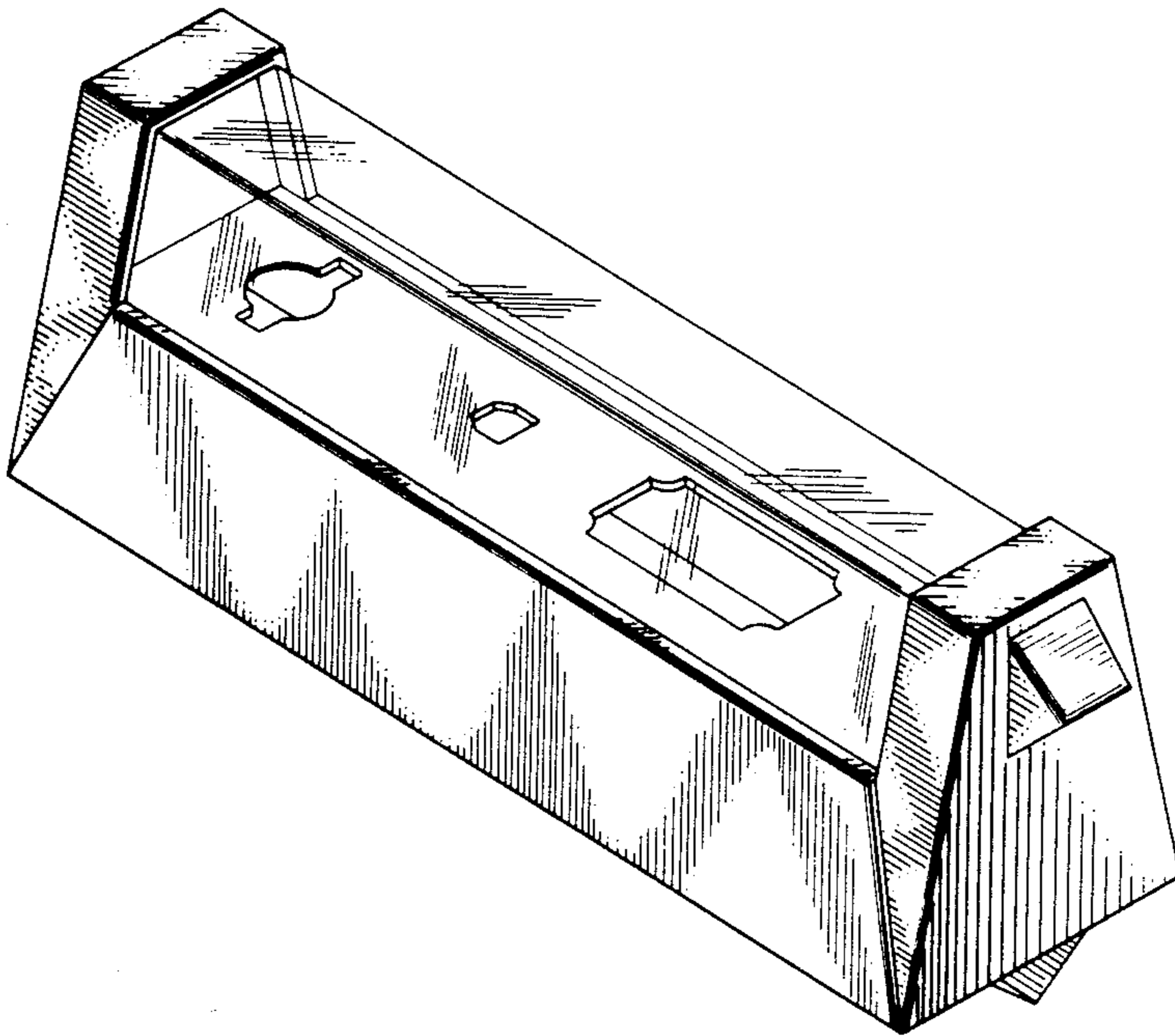
Primary Examiner—Robert C. Spangler
Attorney, Agent, or Firm—Walter C. Vliet

[57] **CLAIM**

The ornamental design for a display box, as shown and described.

DESCRIPTION

FIG. 1 is a perspective view of a display box showing my new design;
FIG. 2 is a top plan view;
FIG. 3 is a view showing the front, the rear being a mirror image thereof;
FIG. 4 is a bottom plan view;
FIG. 5 is an end elevational view; and
FIG. 6 is a view showing the end opposite that seen in FIG. 5.



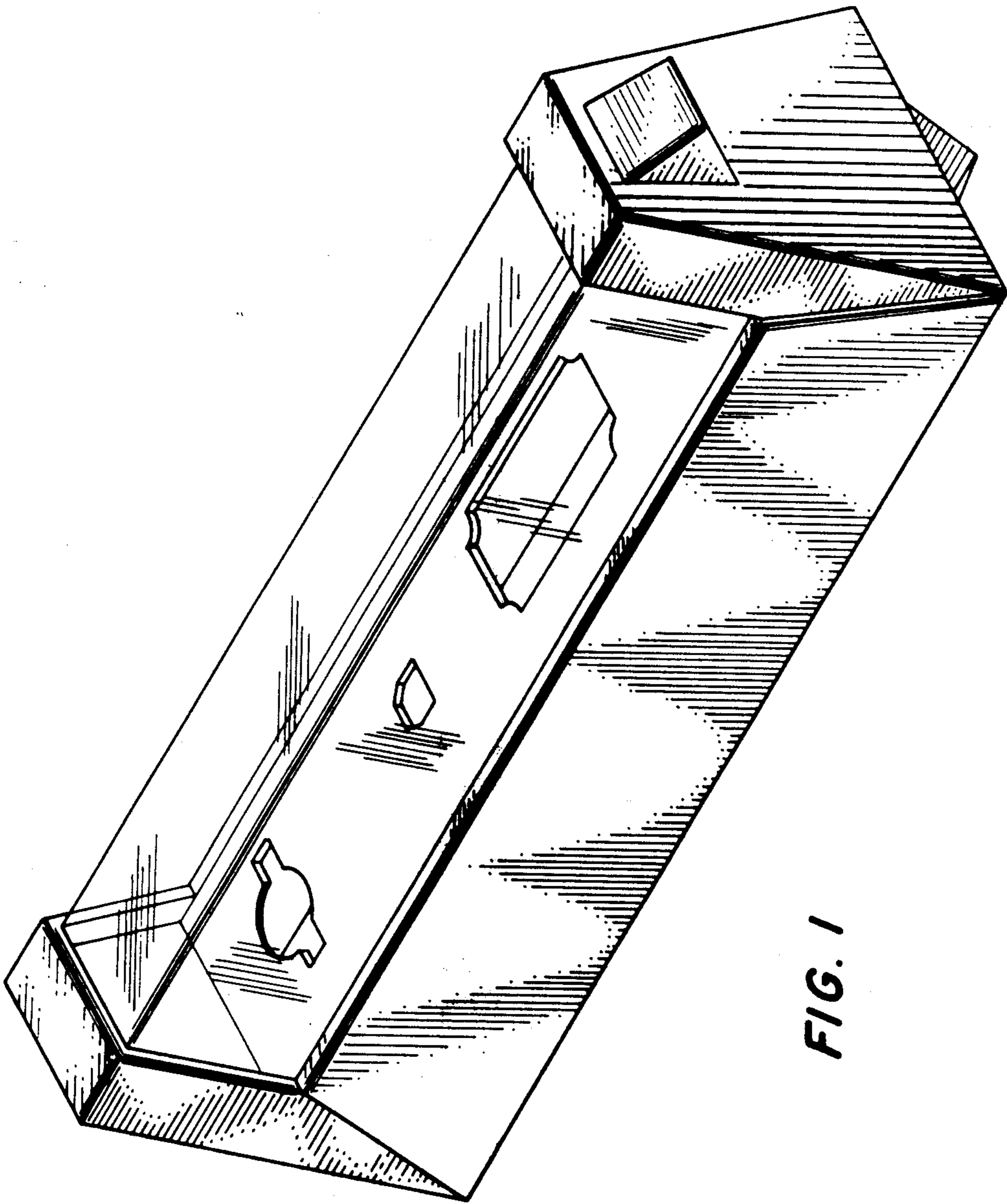


FIG. 1

