

[54] REINFORCING AND PROTECTOR
ELEMENT FOR THE EDGES OF PALLET
GOODS

403,089 5/1889 Casper 229/49
3,073,439 1/1963 Symmonds, Jr. 206/453
3,090,087 5/1963 Miller 217/69 X

[76] Inventor: Ake O. V. Gemvik, Gökvägen 71, S
183 51 Täby, Sweden

FOREIGN PATENT DOCUMENTS

577418 5/1933 Fed. Rep. of Germany 217/69

[**] Term: 14 Years

Primary Examiner—Peter Feldman

[21] Appl. No.: 845,251

[57] CLAIM

[22] Filed: Oct. 25, 1977

The ornamental design for a reinforcing and protector element for the edges of pallet goods, as shown and described.

[30] Foreign Application Priority Data

DESCRIPTION

Apr. 25, 1977 [SE] Sweden 770917

[51] Int. Cl. D8—99

FIG. 1 is a perspective view of a reinforcing and protector element for the edges of pallet goods showing my new design;

[52] U.S. Cl. D8/403; 206/453

FIG. 2 is a perspective view as seen from the other side thereof;

[58] Field of Search D8/402, 403, 383;
D12/53, 60; D2/380, 389; 217/69; 229/49, 50,
DIG. 1, DIG. 4; 206/386, 597, 453, 586;
248/345.1

FIG. 3 is a perspective view of FIG. 1 with both of the reinforcing members removed for clarity of illustration; and

[56] References Cited

U.S. PATENT DOCUMENTS

D. 27,422 7/1897 Starr D2/387

FIG. 4 is a perspective view of one of the reinforcing members of FIG. 1 shown separately for clarification of illustration.

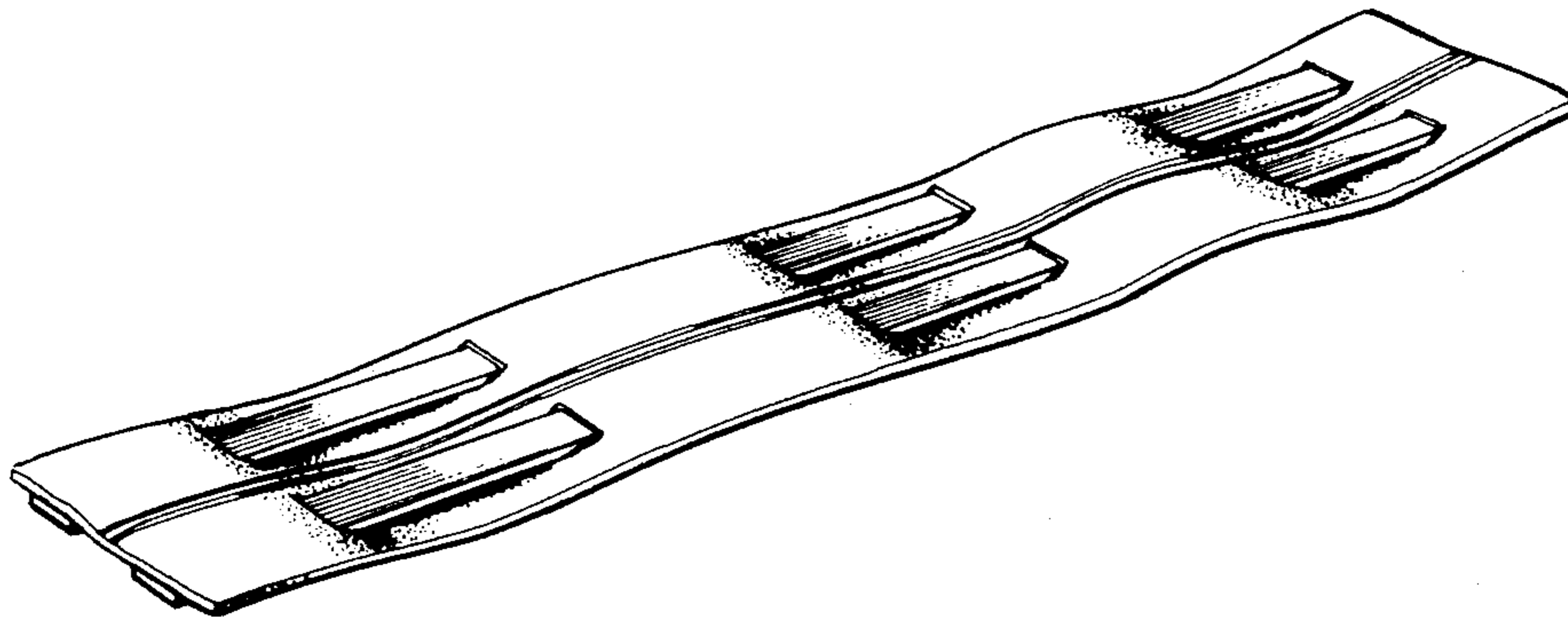


Fig. 1

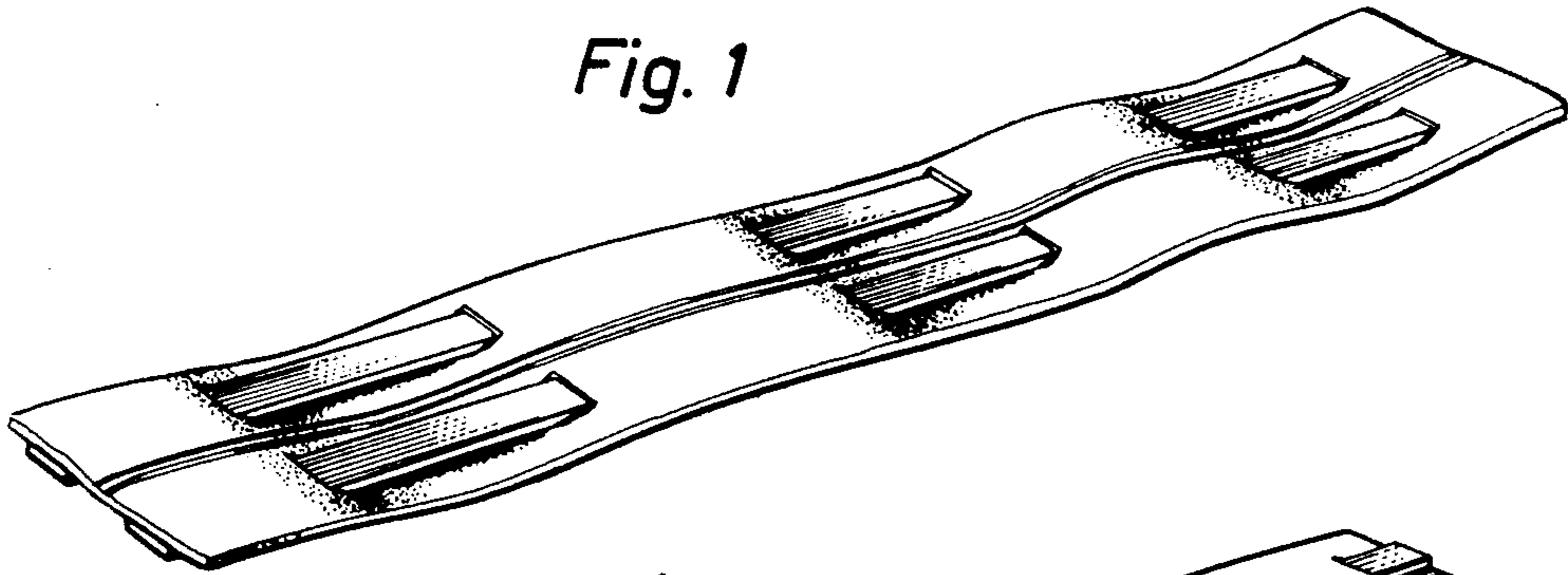


Fig. 2

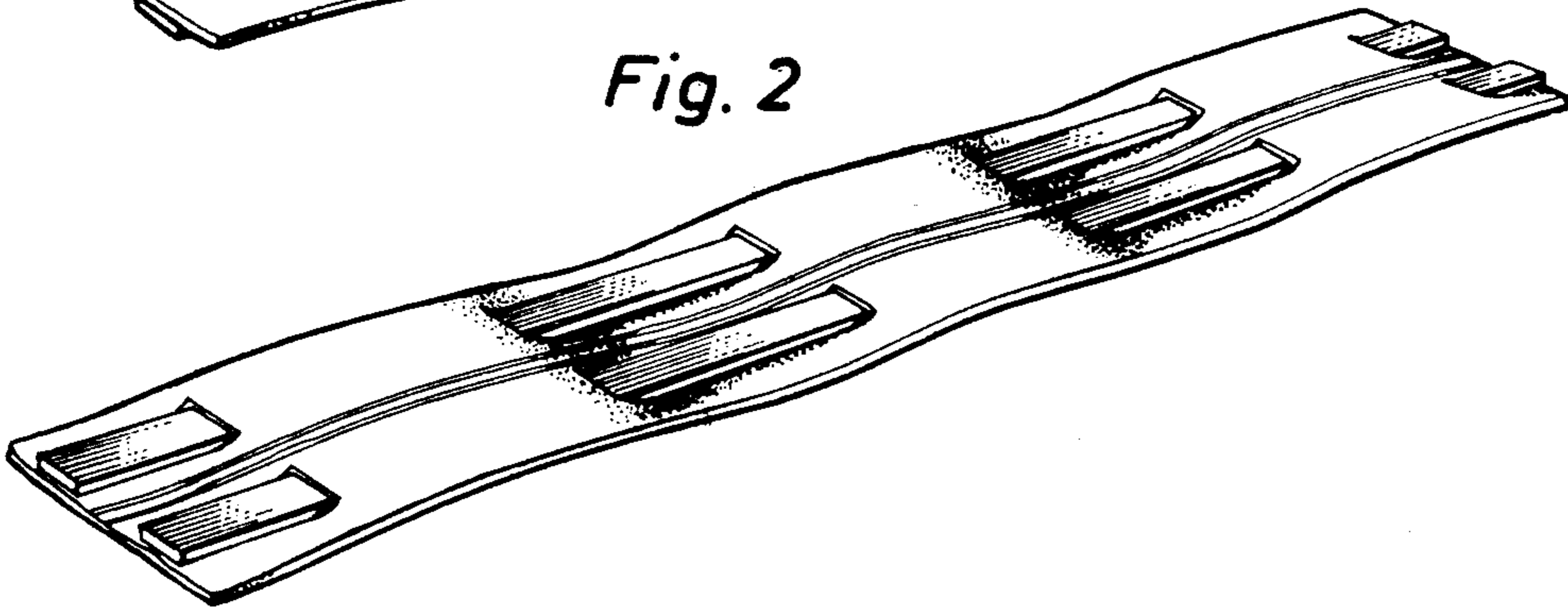


Fig. 3

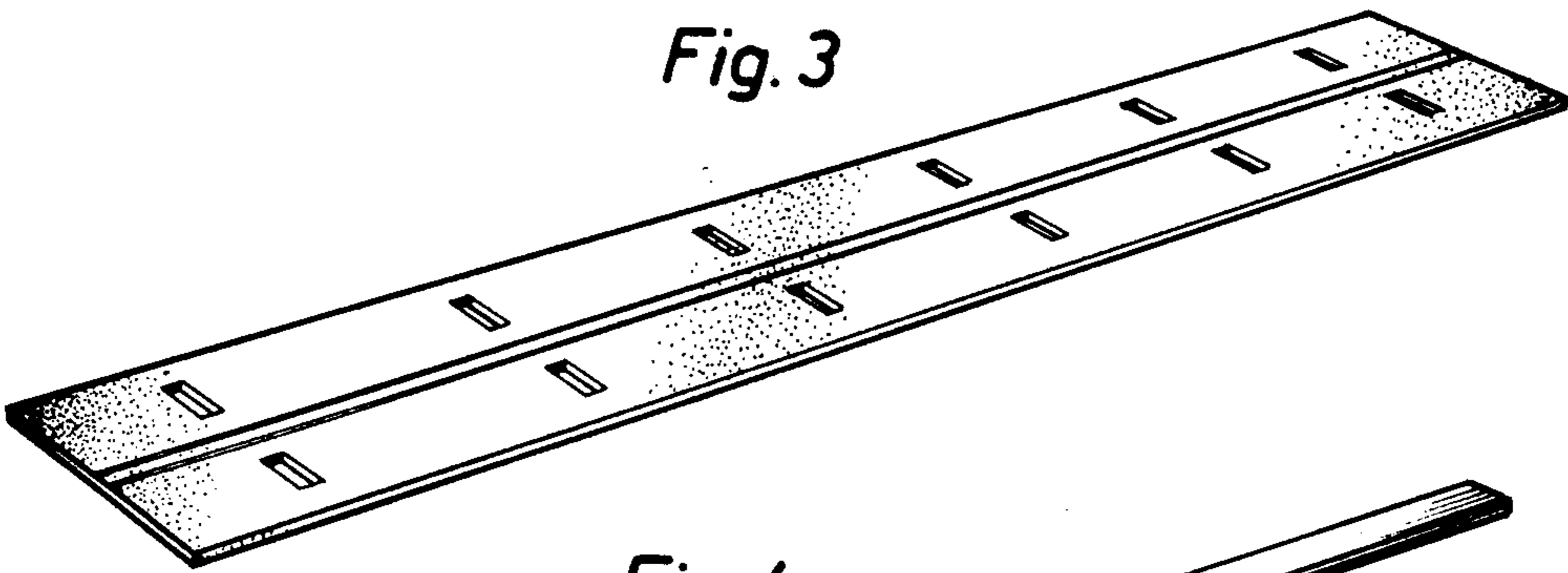


Fig. 4

