

[54] FREE ROLL CREEPER GUARD

[76] Inventor: Louis C. Argante, 1236 1/2 32nd St., Sacramento, Calif. 95816

[**] Term: 14 Years

[21] Appl. No.: 49,805

[22] Filed: Jun. 18, 1979

[51] Int. Cl. D8-08

[52] U.S. Cl. D8/375; D8/366; D8/371

[58] Field of Search D11/87; 248/247; 16/18 R, 18 CG, 31 R; D8/366, 371, 356, 375; 293/38, 42, 44, 58; D12/167, 172, 181, 213

[56] References Cited

U.S. PATENT DOCUMENTS

- D. 52,832 12/1918 Szandula D8/371 X
- D. 216,359 12/1969 Feuerer D8/371 X

- 951,553 3/1910 Williams et al. 16/18 CG X
- 2,157,001 5/1939 Morley 211/87 X
- 4,025,099 5/1977 Virden 16/18 CG X
- 4,088,294 5/1978 Aliment et al. 248/247 X

OTHER PUBLICATIONS

Grammes Metal Products Catalog No. 66, ©1941, p. 32, item No. 33686.

Primary Examiner—A. Hugo Word
Attorney, Agent, or Firm—Blair, Brown & Kreten

[57] CLAIM

The ornamental design for a free roll creeper guard, substantially as shown and described.

DESCRIPTION

FIG. 1 is a perspective view of the free roll creeper guard; showing my new design;
FIG. 2 is a rear view of the free roll creeper guard;
FIG. 3 is a side view of the free roll creeper guard; and
FIG. 4 is a bottom view thereof.

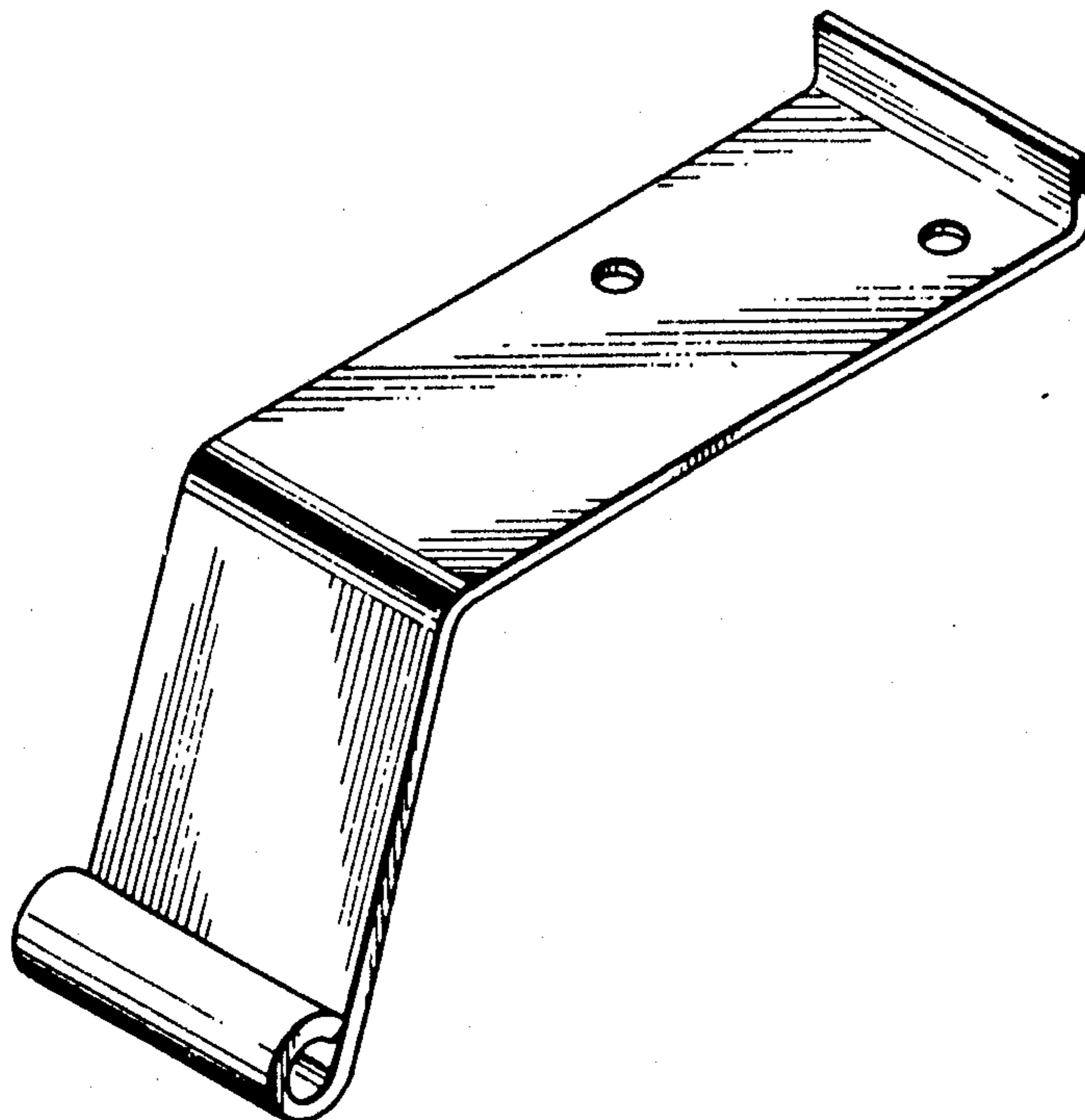


FIG.1

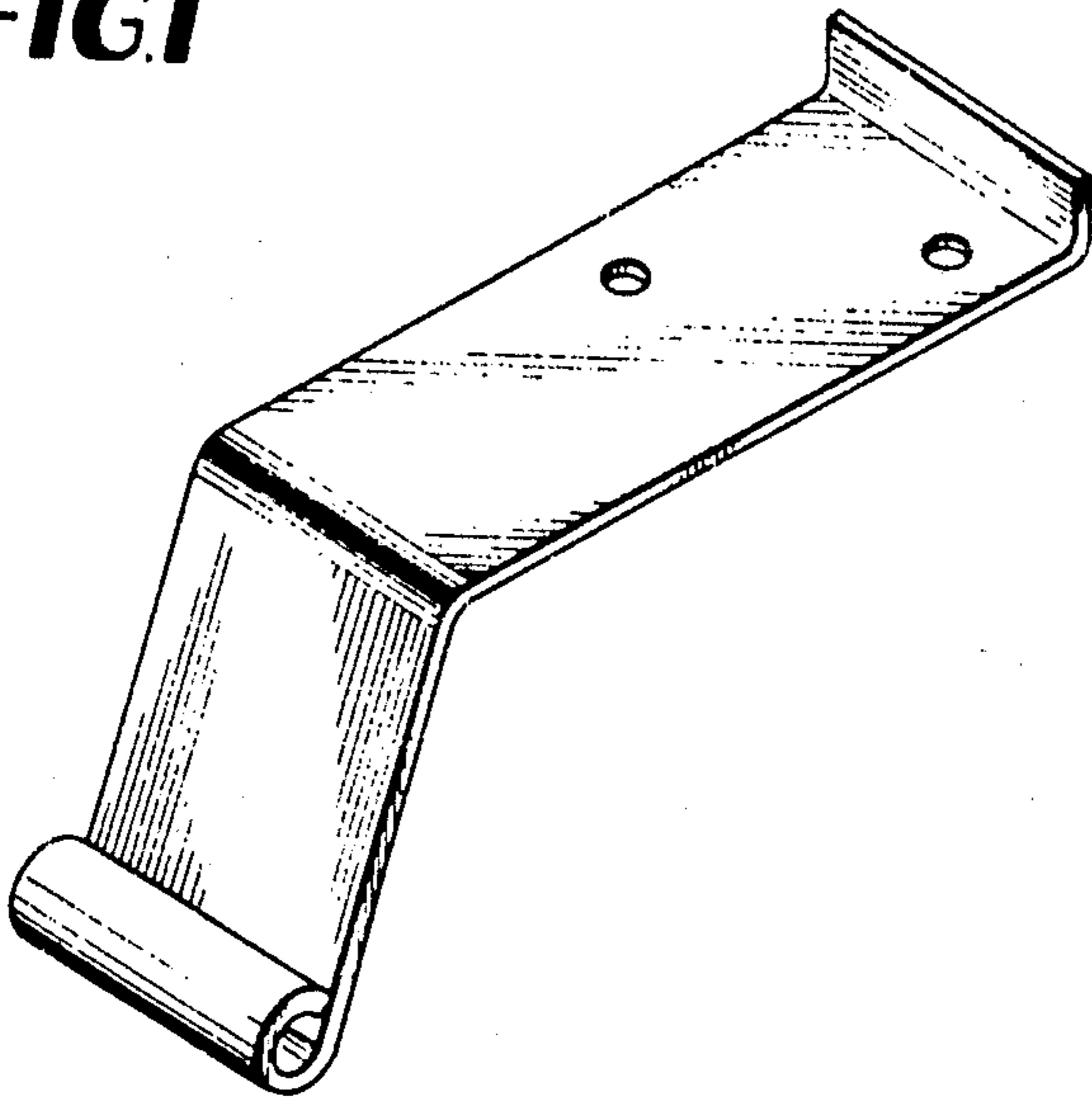


FIG.2

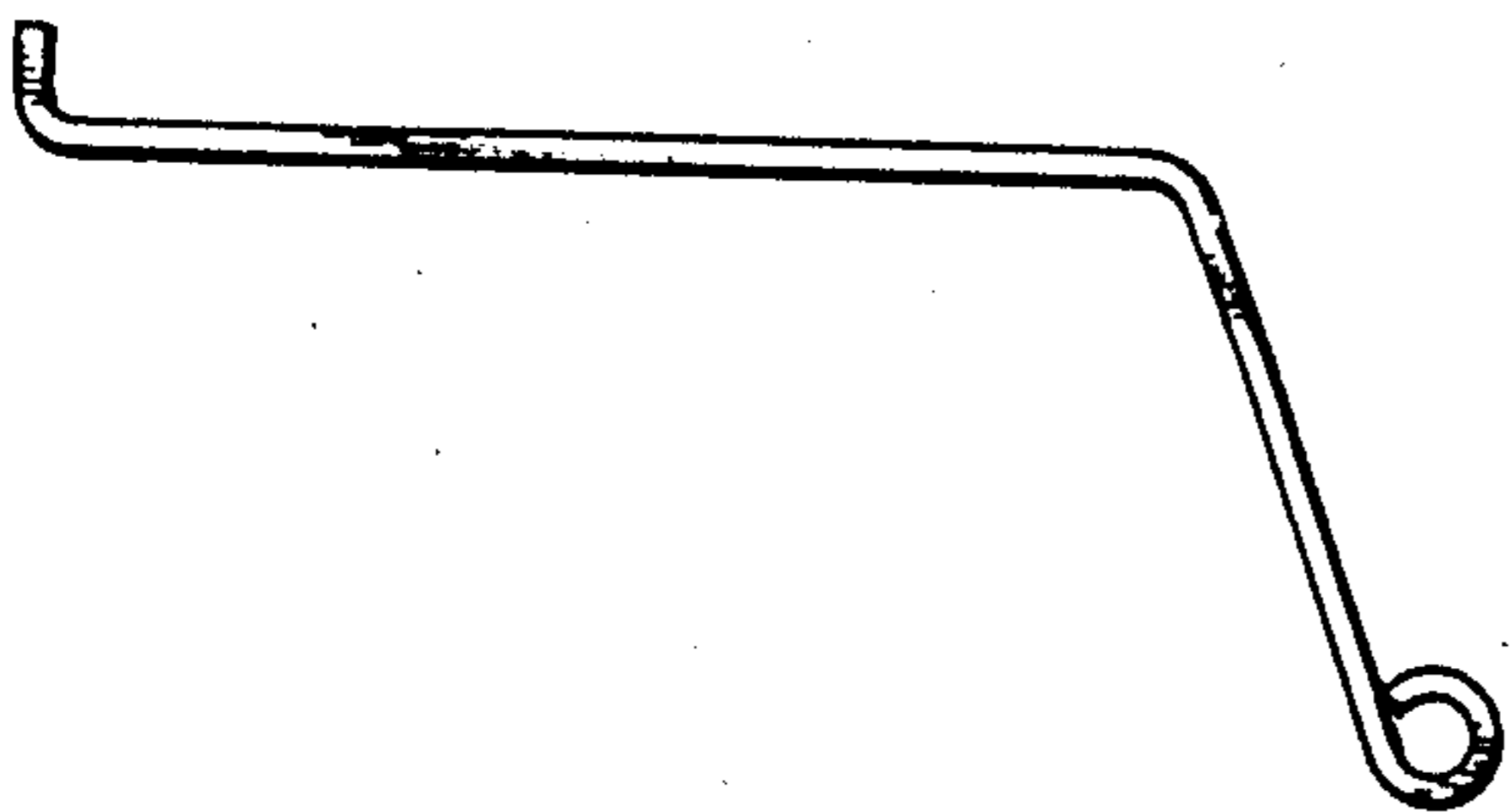
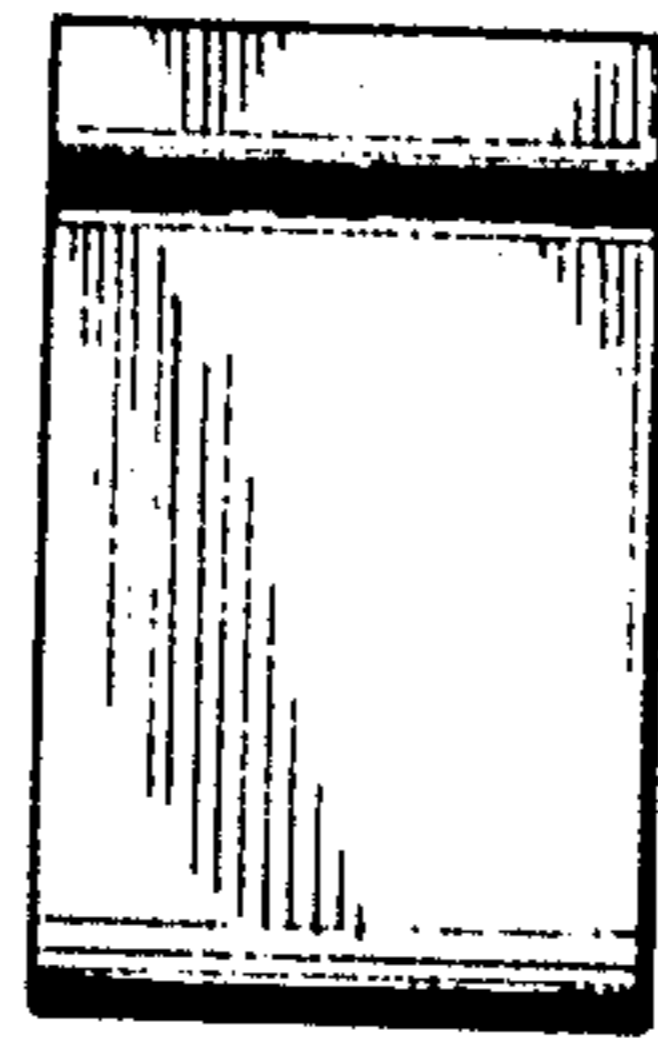


FIG.3

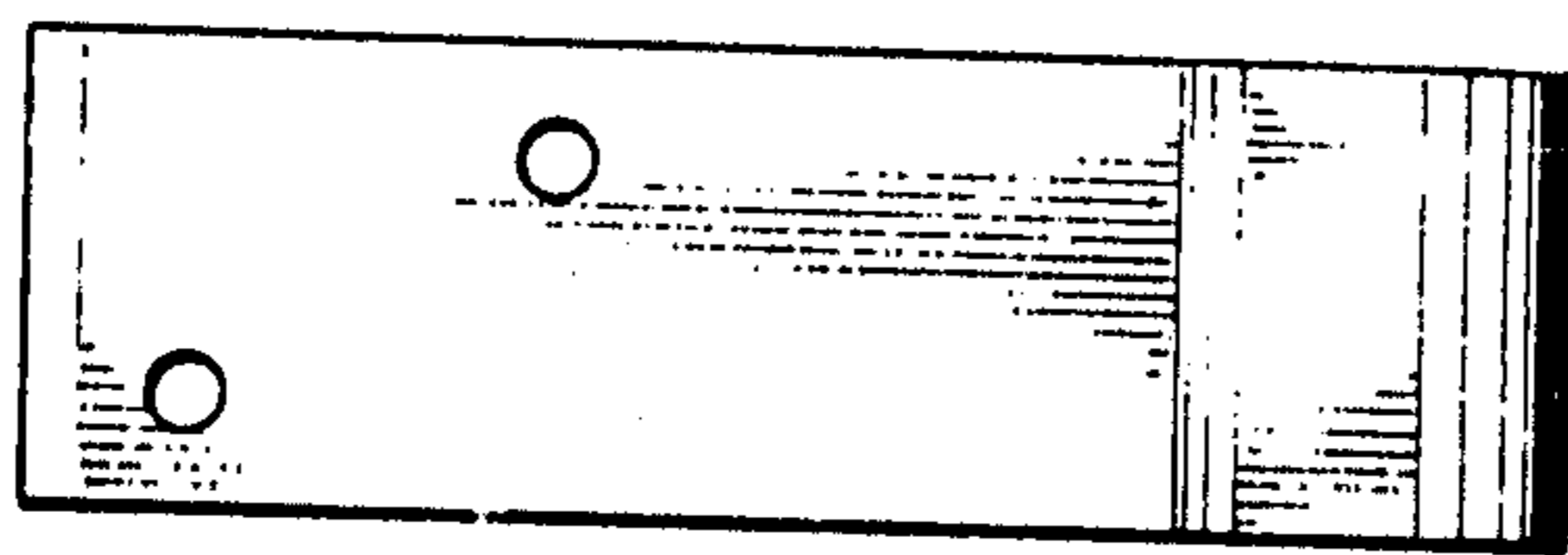


FIG.4