

[54] CONNECTOR FOR WOOD MEMBERS
[75] Inventor: Tyrell T. Gilb, Berkeley, Calif.
[73] Assignee: Simpson Manufacturing Co., Inc., San Leandro, Calif.
[**] Term: 14 Years
[21] Appl. No.: 948,708
[22] Filed: Oct. 5, 1978
[51] Int. Cl. D8-08
[52] U.S. Cl. D8/373; D8/380
[58] Field of Search D8/354, 368, 371, 372, D8/373, 380, 382, 394; 403/232.1, 231, 403, 205, 230, 405; 52/712, 702, 657; 24/16 PB, 20 R, 23 R, 20 EE; D25/74, 78; D21/108; 46/23, 25, 28

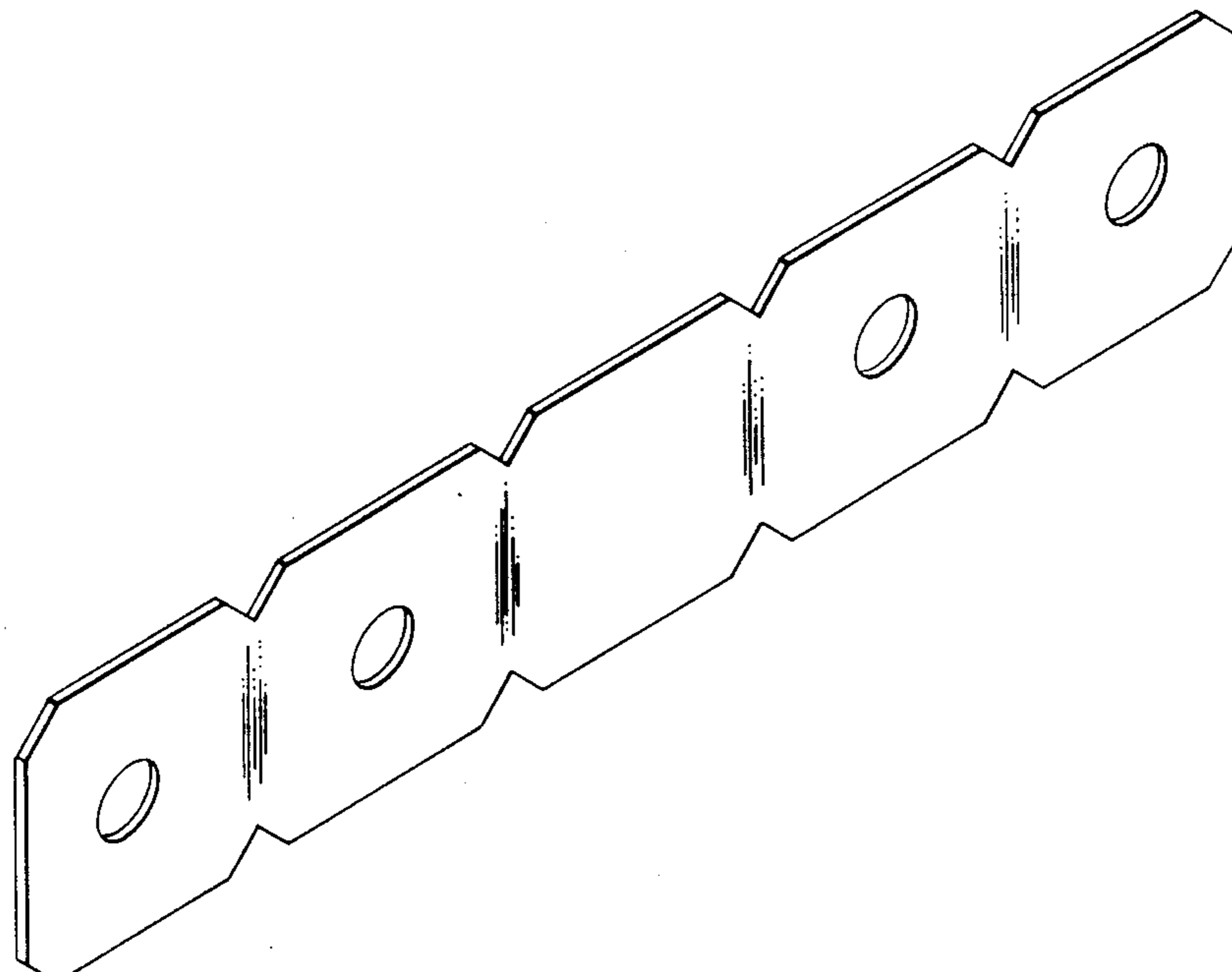
[56] **References Cited**
FOREIGN PATENT DOCUMENTS
747860 4/1933 France 46/28
1133159 11/1968 United Kingdom 24/20 EE
OTHER PUBLICATIONS
Harlan Metal Products, Inc.; Timber Fastener Cat.,

1-77; pp. 4 & 7, Sweets Cat. File, vol. 3, 1977, Section 6.6/Har.
Silver Cat. S-77; Sweets Cat. File-vol. 3, 1977, Section 6.6/Si, "S" Splice Strap, p. 13.
Simpson Company; copyright 1977, p. 22, Model OT-OL, OS.

Primary Examiner—Peter Feldman
Attorney, Agent, or Firm—James R. Cypher

[57] **CLAIM**
The ornamental design for a connector for wood members, substantially as shown and described.

DESCRIPTION
FIG. 1 is a perspective view of a connector for wood members showing my new design;
FIG. 2 is a plan view thereof;
FIG. 3 is a side elevation view thereof;
FIG. 4 is a perspective view of a second embodiment of FIG. 1;
FIG. 5 is plan view thereof;
FIG. 6 is a side elevation view thereof;
FIG. 7 is a perspective view of a third embodiment of FIG. 1,
FIG. 8 is a plan view thereof;
FIG. 9 is a side elevation view thereof.



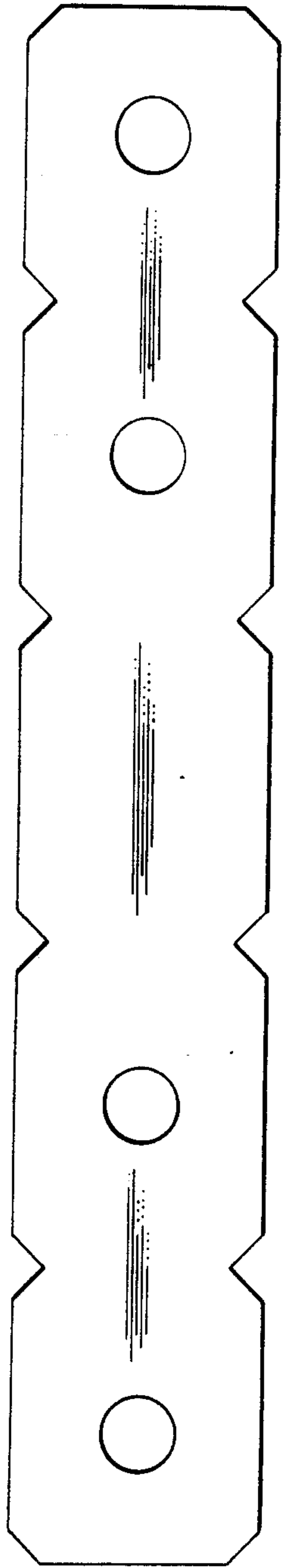


FIG. 2



FIG. 3

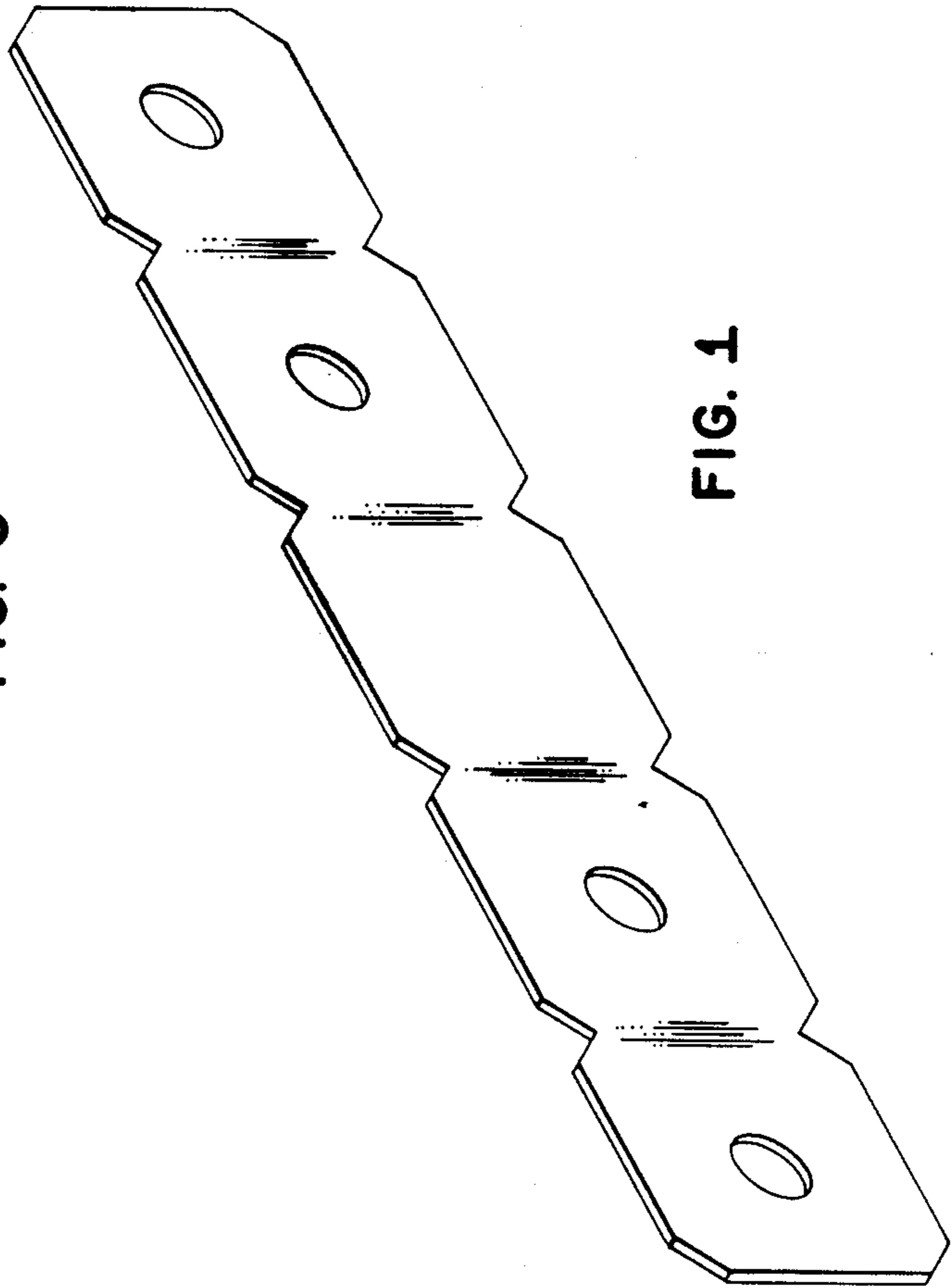


FIG. 1

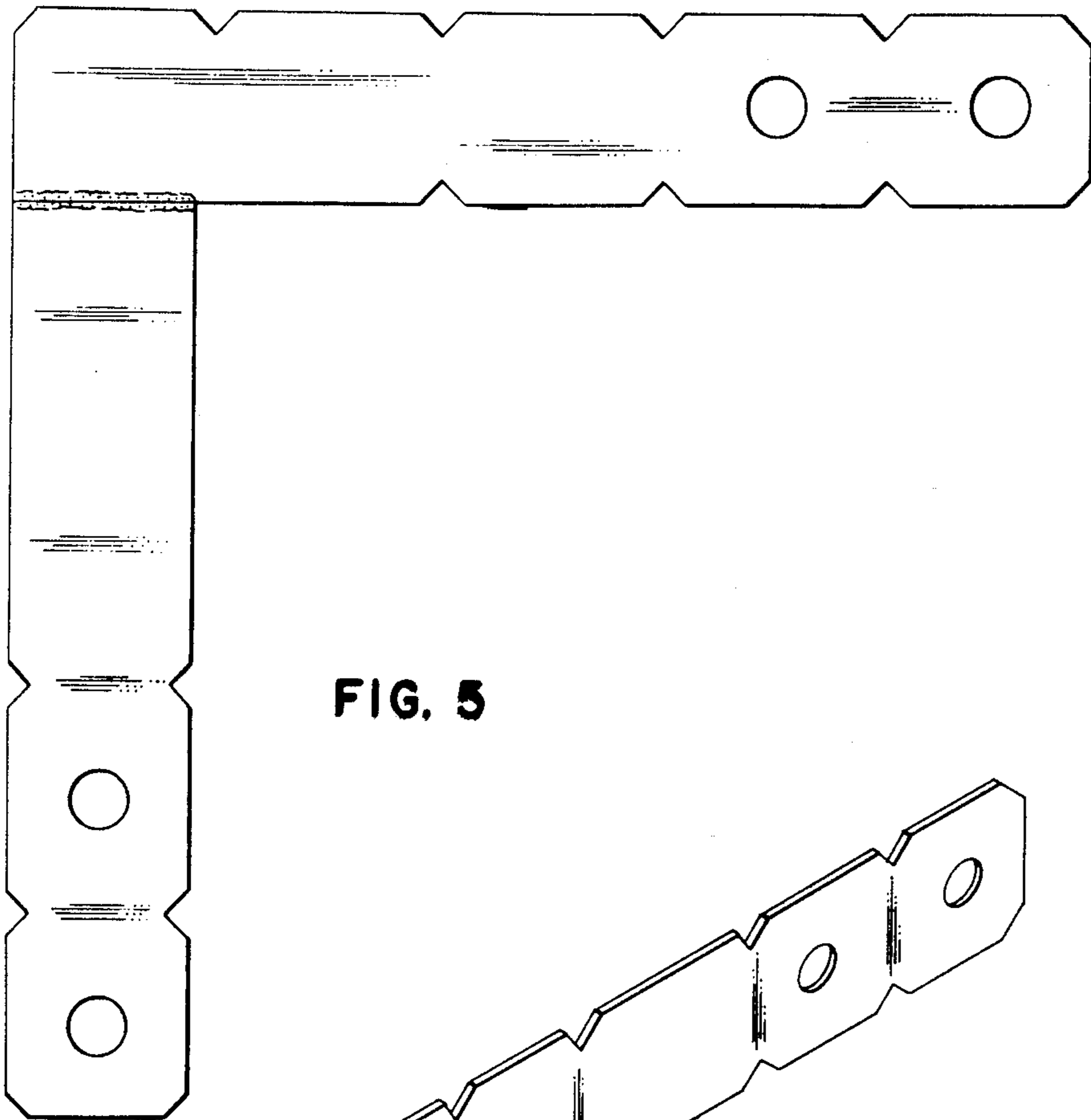


FIG. 5

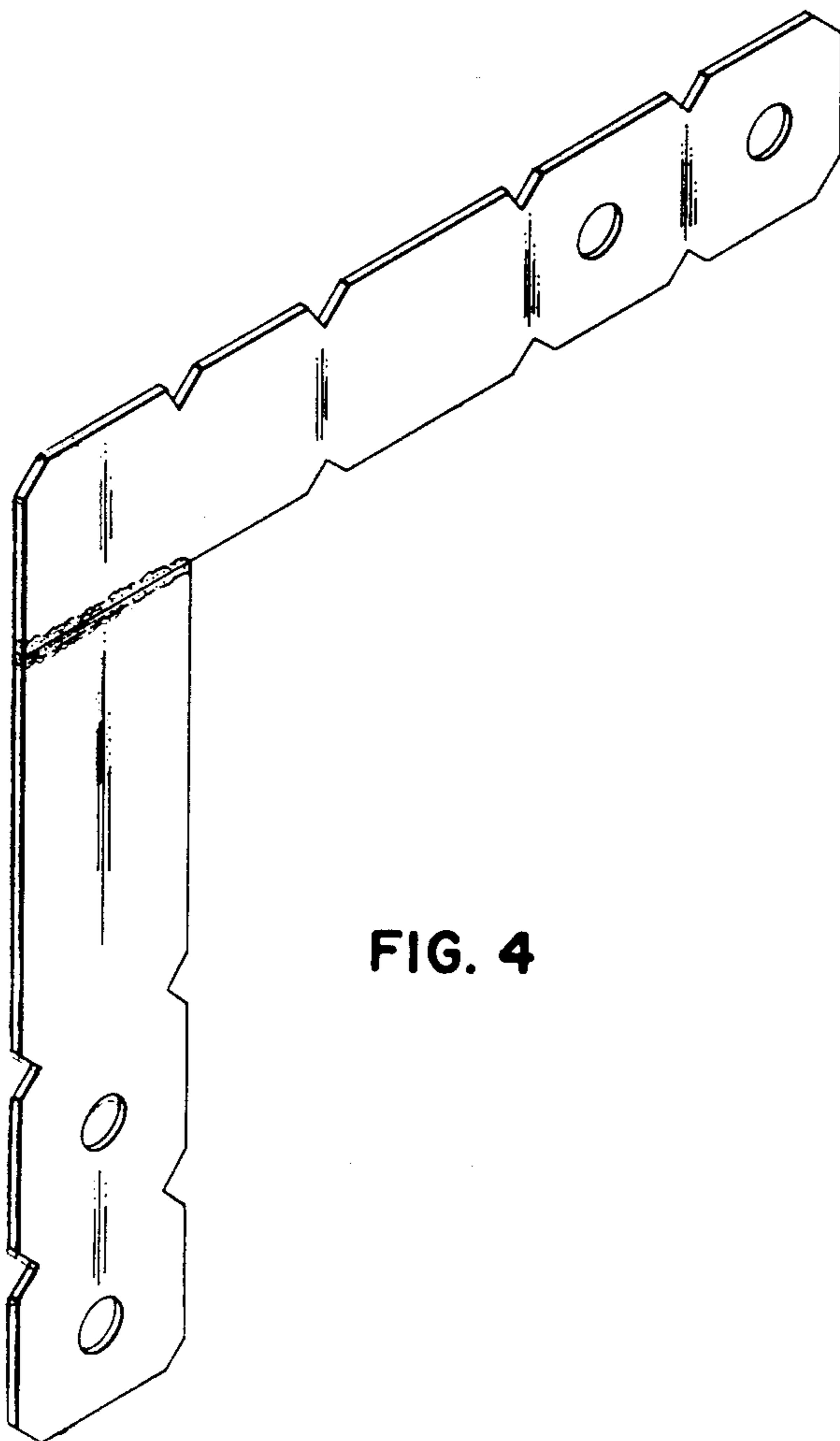


FIG. 4

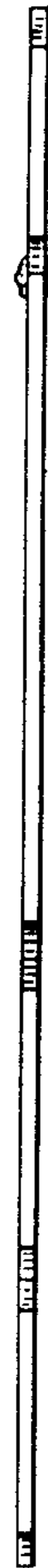


FIG. 6

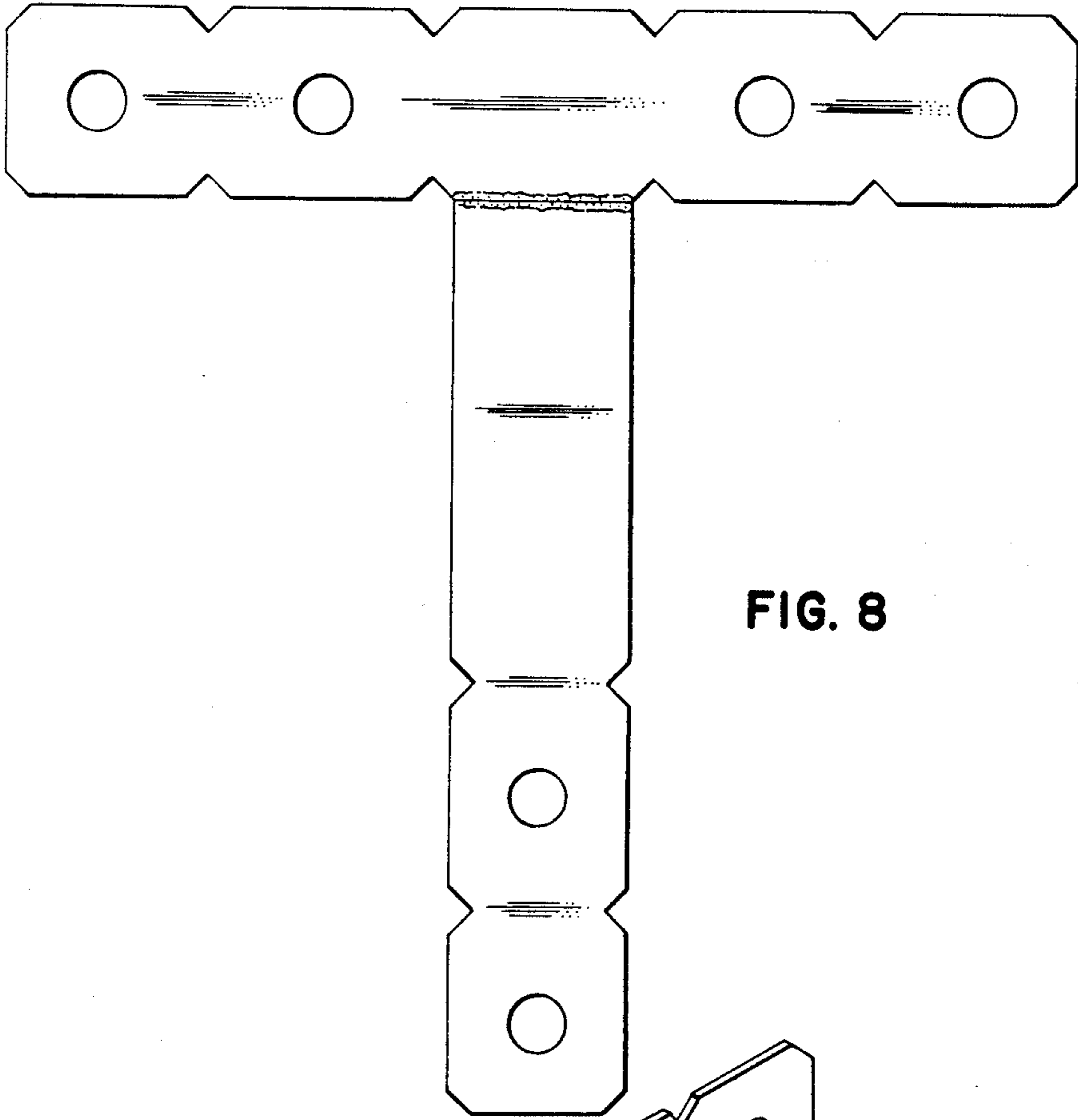


FIG. 8

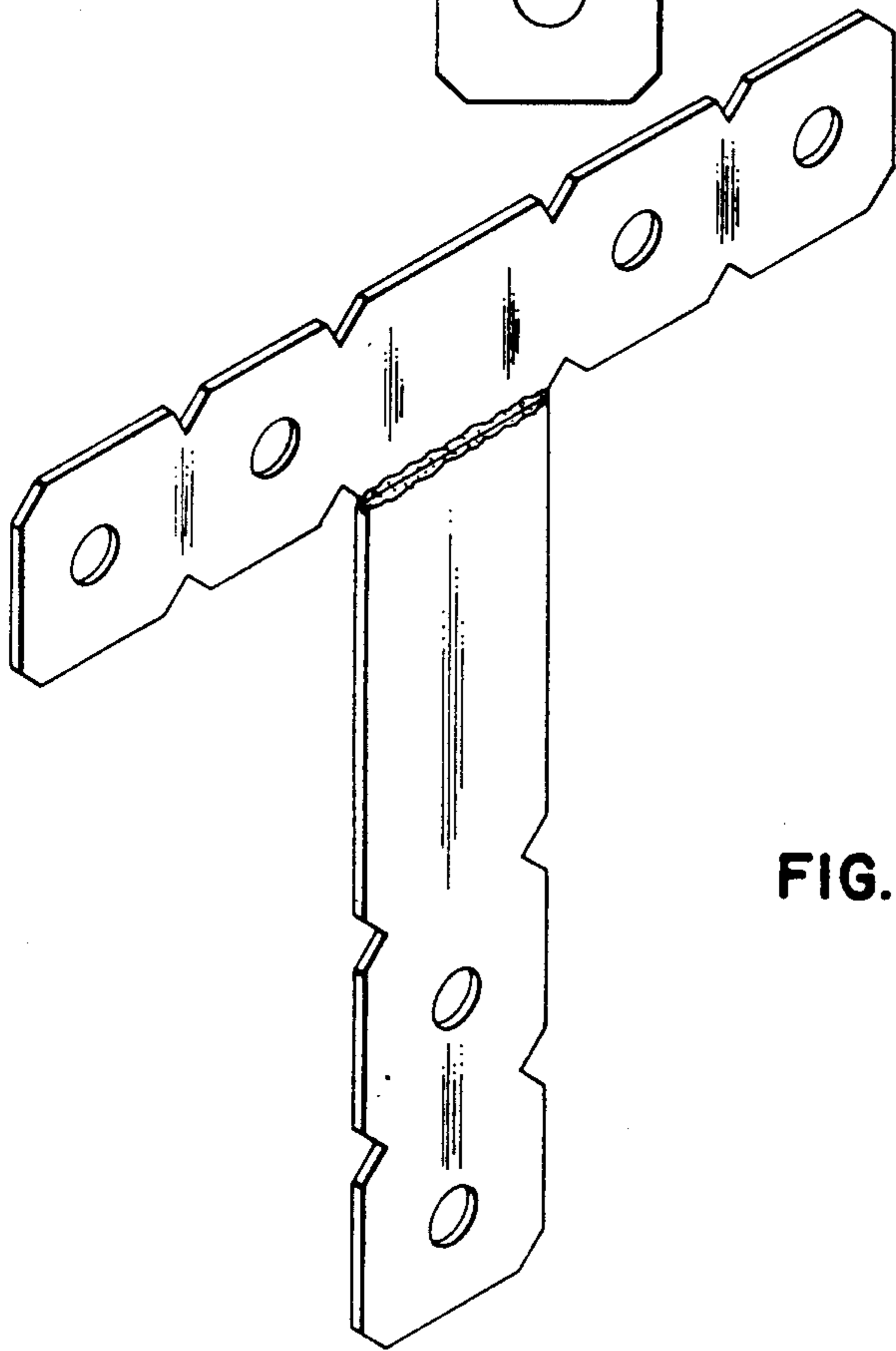


FIG. 7



FIG. 9

Disclaimer

Des. 259,242.—*Tyrell T. Gilb*, Berkeley, Calif. CONNECTOR FOR WOOD MEMBERS. Patent dated May 19, 1981. Disclaimer filed July 13, 1981, by the assignee, *Simpson Manufacturing Co., Inc.*

Hereby enters this disclaimer to claim 1 of said patent.

[*Official Gazette October 18, 1983.*]