

[54] CIRCULAR SAW

[75] Inventors: John E. Dibbern, Jr., Street; Robert I. Somers, Baltimore; Richard A. Schafebook, Lutherville, all of Md.; Richard L. Mitchell, Florissant, Mo.

[73] Assignee: Black & Decker Inc., Newark, Del.

[**] Term: 14 Years

[21] Appl. No.: 886,529

[22] Filed: Mar. 14, 1978

[51] Int. Cl. D08-03

[52] U.S. Cl. D8/66

[58] Field of Search D8/66; 30/390, 391

[56] References Cited

U.S. PATENT DOCUMENTS

D. 177,767	5/1956	Seeger	D8/66
D. 180,181	4/1957	Ernest	D8/66
3,123,111	3/1964	Mattson	30/390
3,733,701	5/1973	Lubas	30/391

OTHER PUBLICATIONS

Skil Industrial Power Tool Catalog p. 16.

Primary Examiner—W. Stallard

Attorney, Agent, or Firm—Leonard Bloom; Edward D. Murphy; Marilyn L. Olshansky

[57] CLAIM

The ornamental design for a circular saw, as shown.

DESCRIPTION

FIG. 1 is a perspective view of a circular saw.

FIG. 2 is a side elevational view of the circular saw shown in FIG. 1.

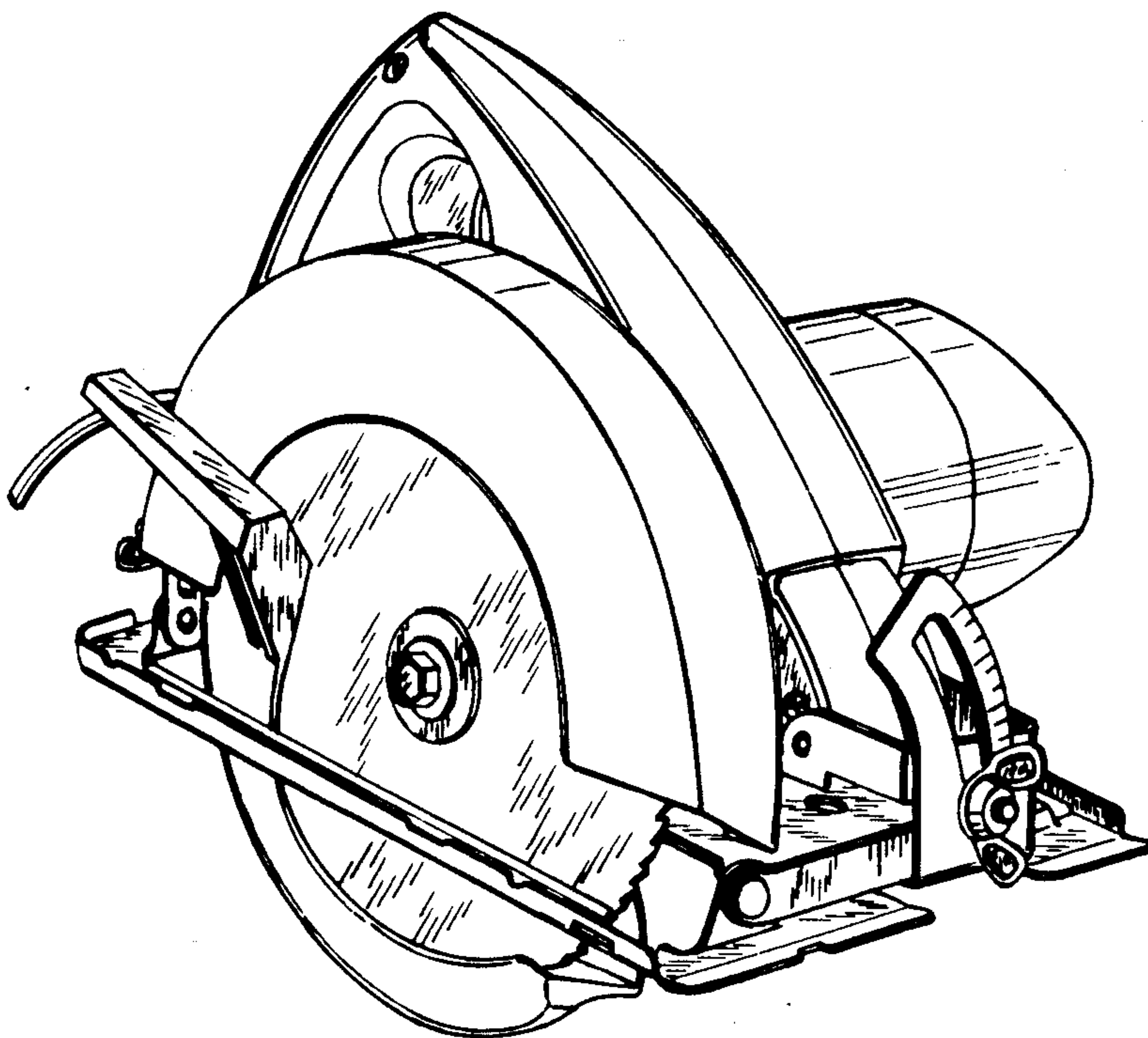
FIG. 3 is an opposite side elevation view of the circular saw shown in FIG. 1.

FIG. 4 is a top plan view of the circular saw shown in FIG. 1.

FIG. 5 is a bottom view of the circular saw shown in FIG. 1.

FIG. 6 is a front elevation view of the circular saw shown in FIG. 1; and

FIG. 7 is a rear elevation view of the circular saw shown in FIG. 1.



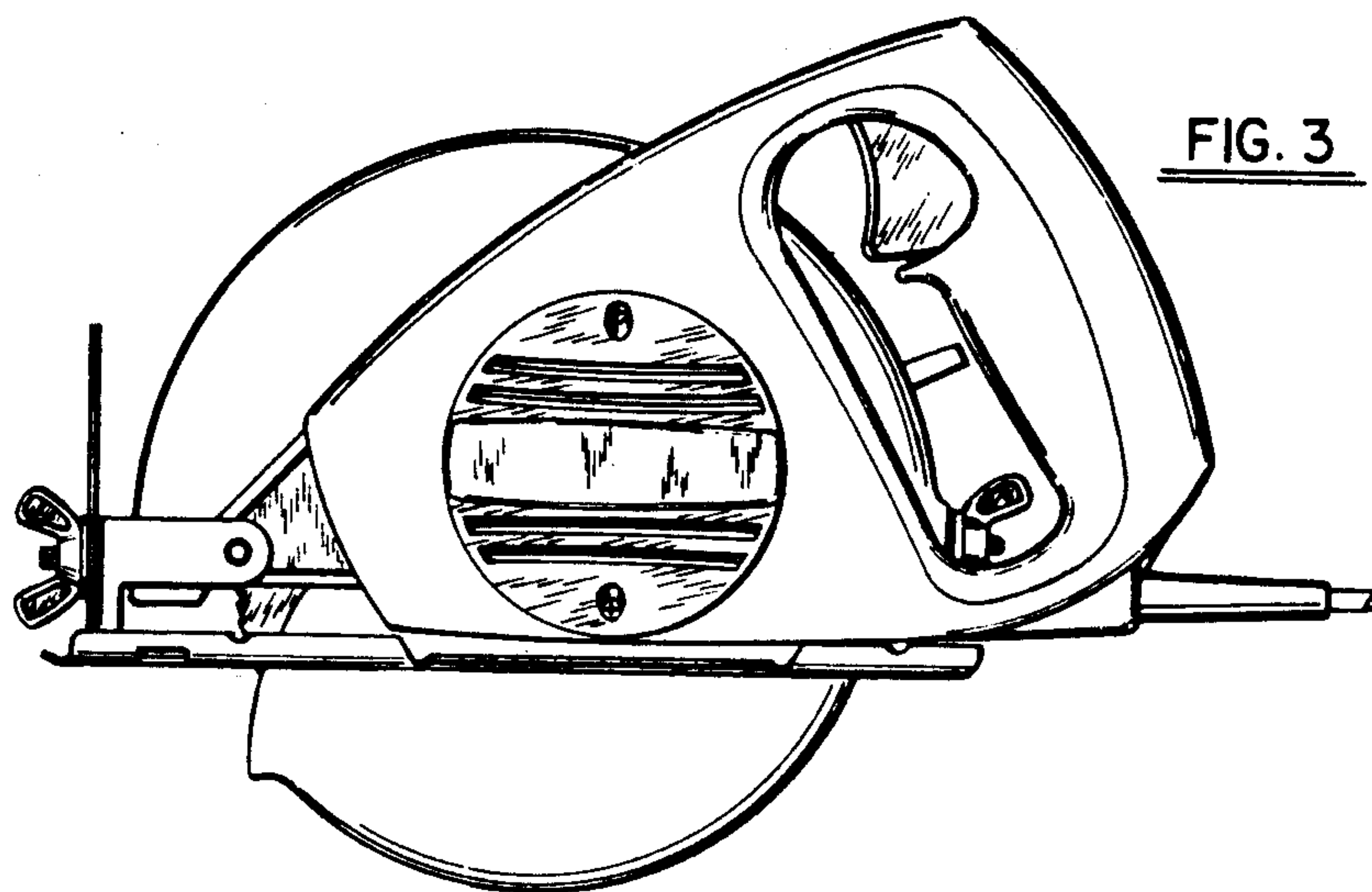
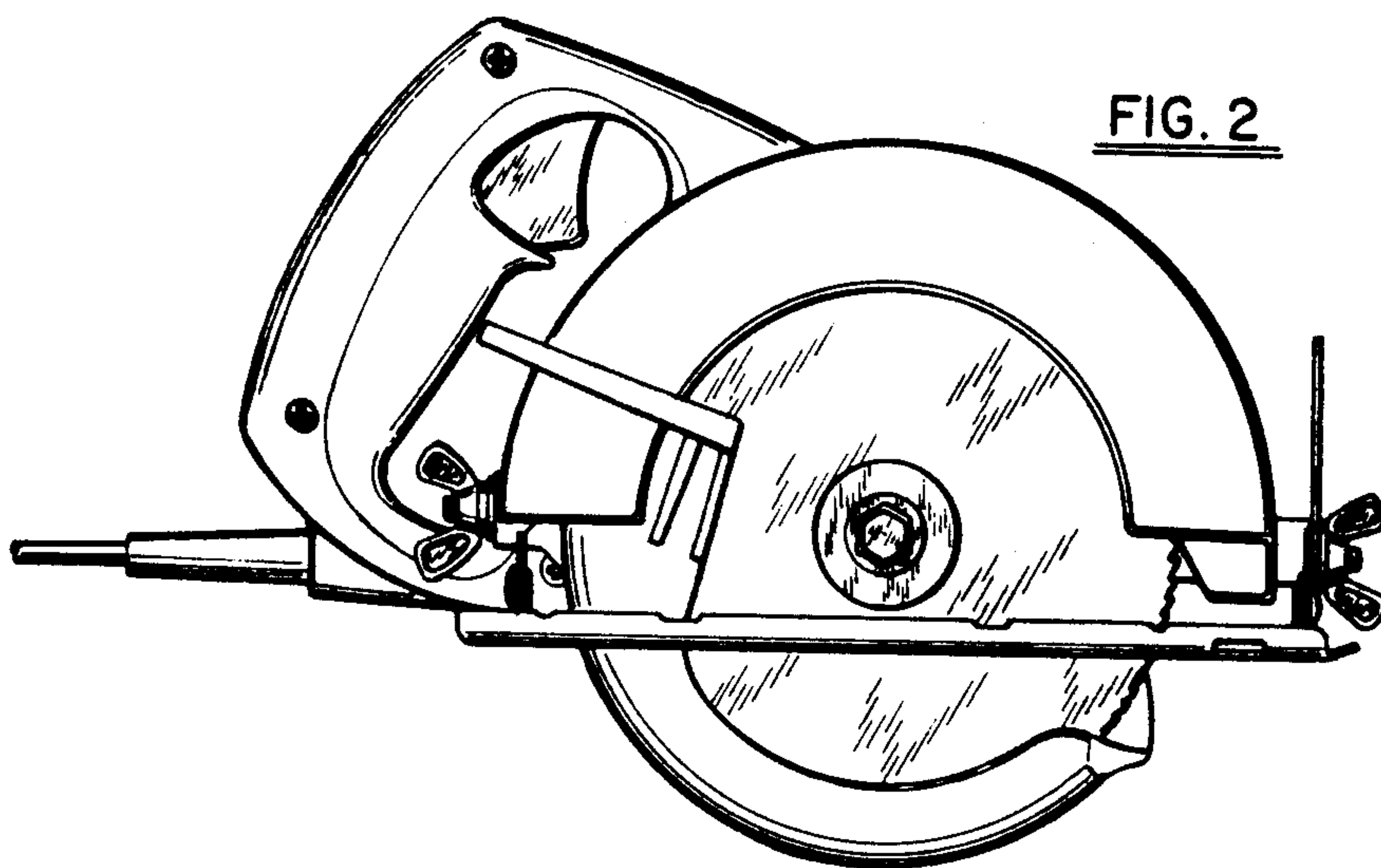
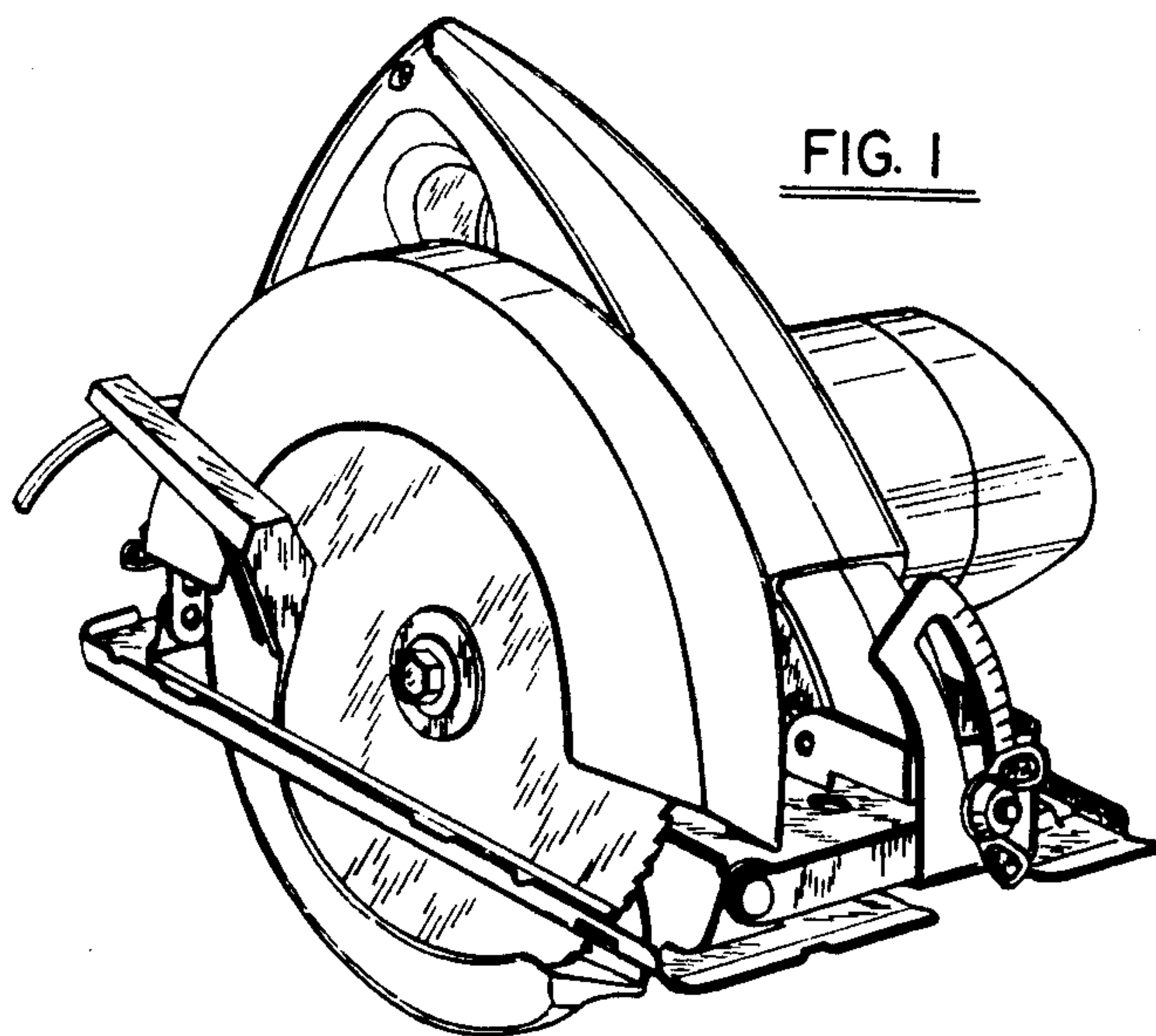


FIG. 4

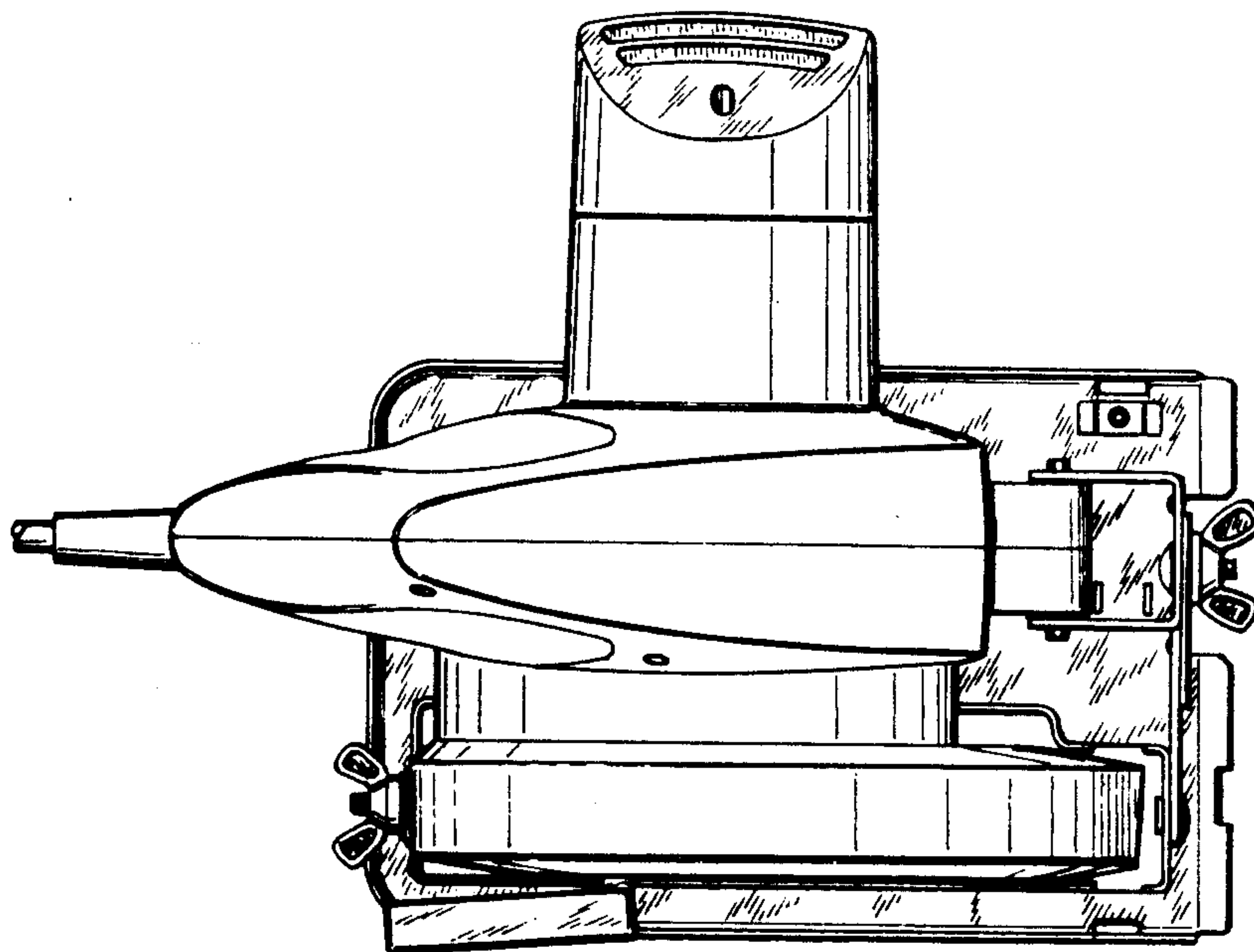


FIG. 5

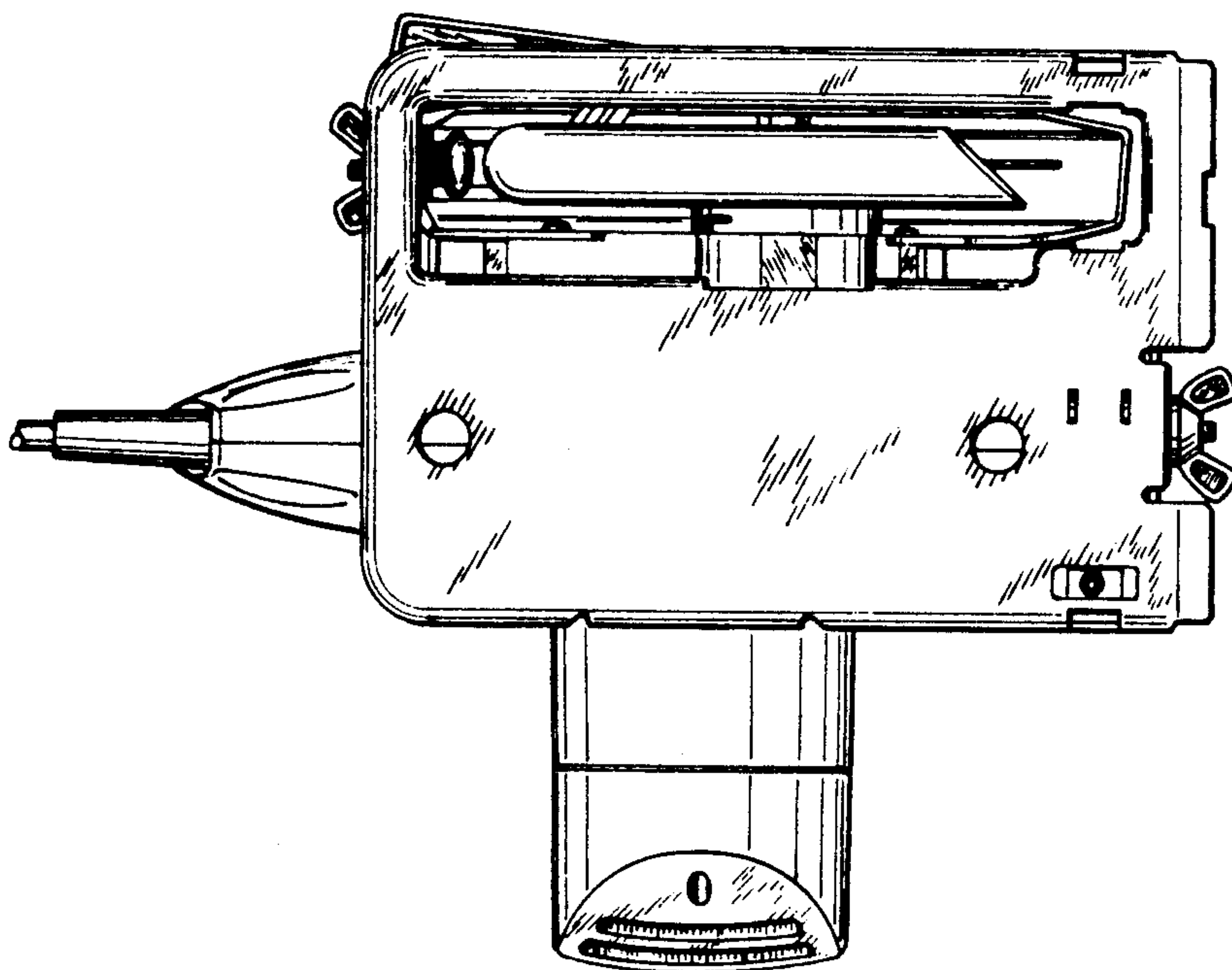


FIG. 6

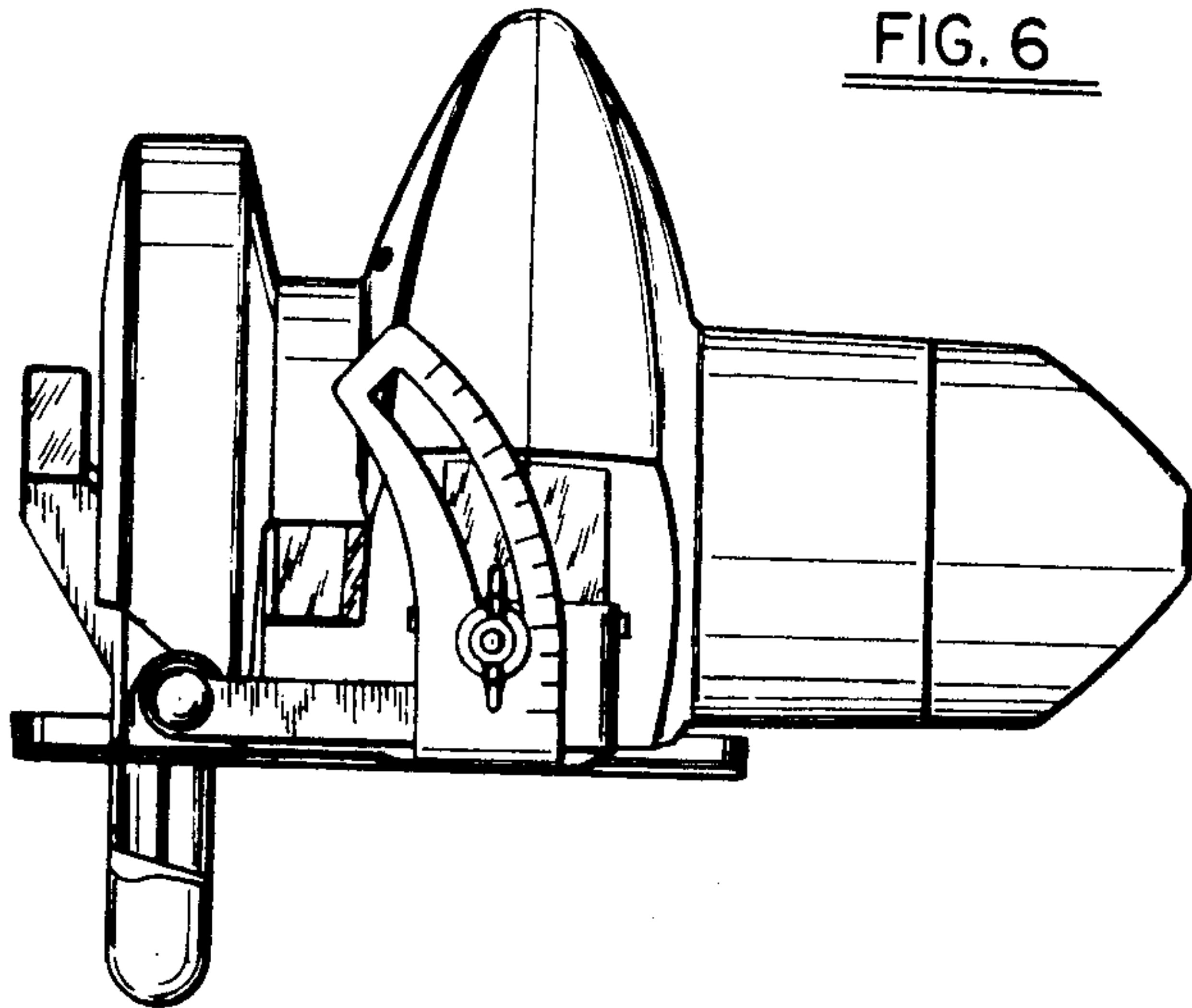


FIG. 7

