

[54] FLAMELESS HEAT GUN
[76] Inventor: Frank N. Pfeil, 1101 Cedar Creek,
Racine, Wis. 53402
[**] Term: 14 Years
[21] Appl. No.: 962,133
[22] Filed: Nov. 20, 1978
[51] Int. Cl. D08—05
[52] U.S. Cl. D8/30; D8/68;
219/370
[58] Field of Search D8/30, 68, 14;
D28/10-19; 219/366, 369, 370, 371, 372; 132/9,
11 R; 34/97

[56] References Cited
U.S. PATENT DOCUMENTS
D. 232,554 8/1974 Benjamin D28/13 X

2,126,581 8/1938 Samuels 219/370

FOREIGN PATENT DOCUMENTS

568043 12/1932 Fed. Rep. of Germany 34/243 R
2660060 1/1950 Switzerland 219/370

Primary Examiner—Peter Feldman
Attorney, Agent, or Firm—Andrus, Scales, Starke &
Sawall

[57] CLAIM

The ornamental design for a flameless heat gun, as shown and described.

DESCRIPTION

FIG. 1 is a front, left side, bottom, reduced, perspective view of a flameless heat gun showing my new design; FIG. 2 is a left side elevational view thereof, the opposite side being a mirror image of the side shown; FIG. 3 is a front elevational view thereof; and FIG. 4 is a rear elevational view thereof.

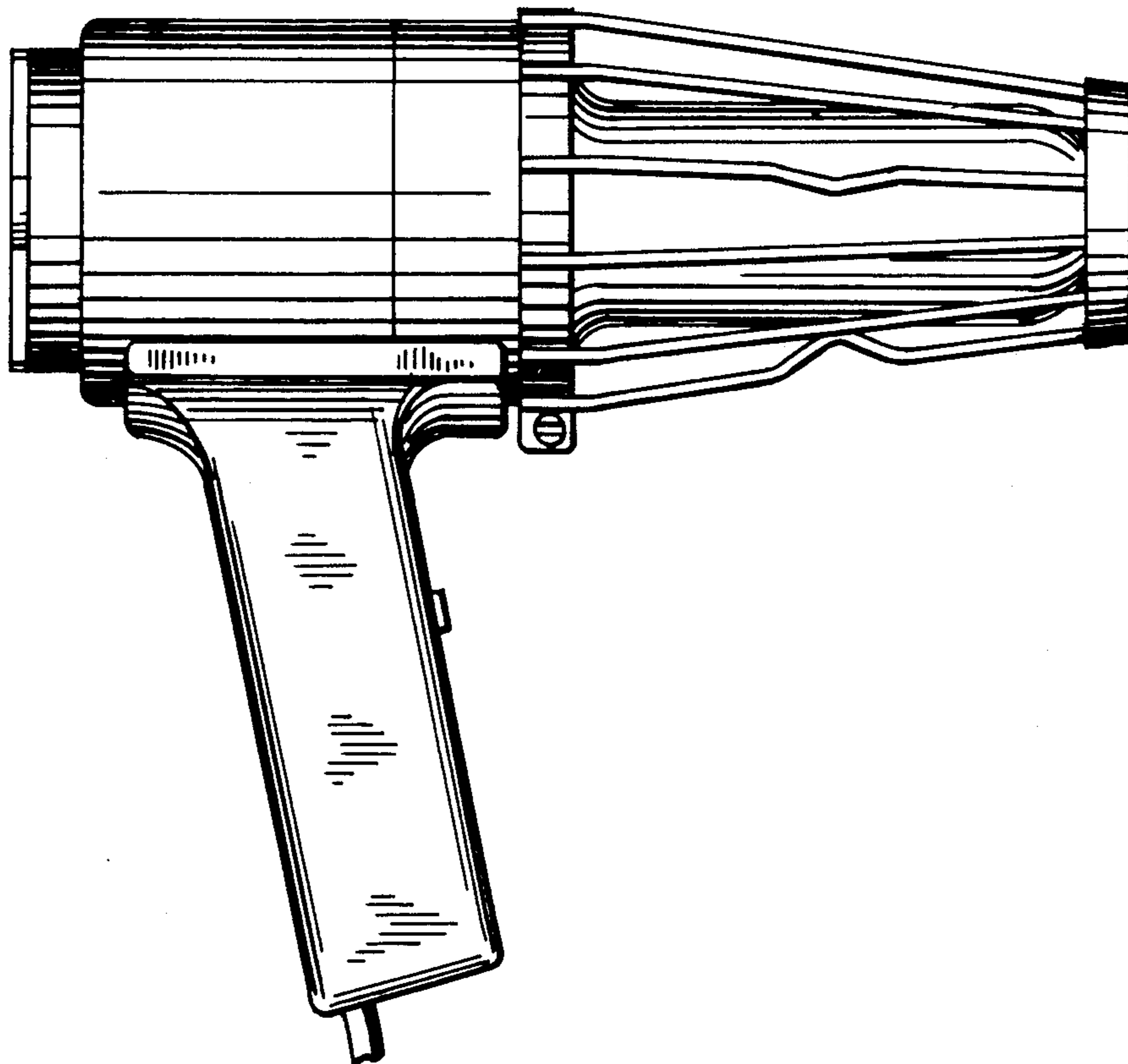


Fig. 1

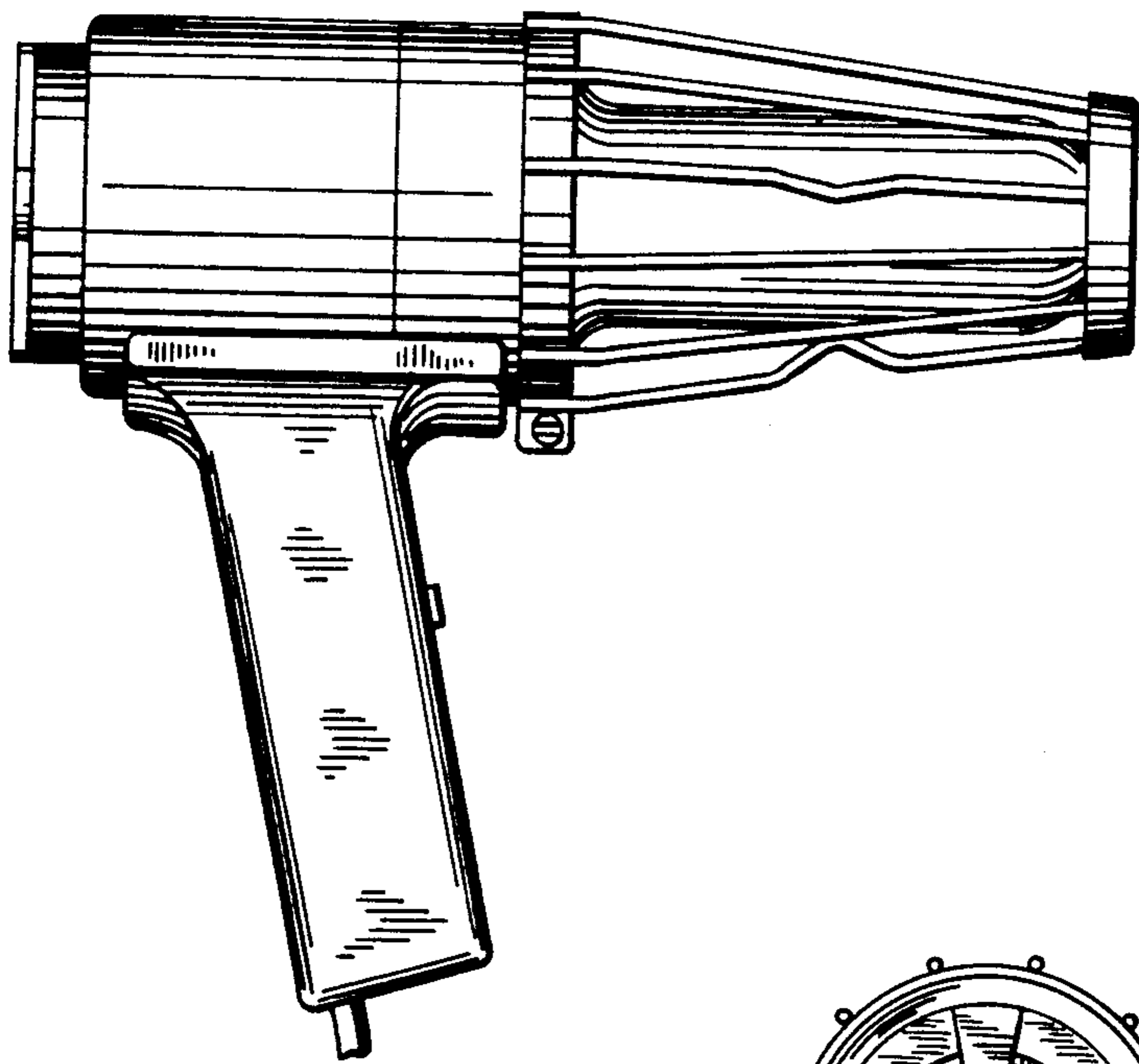
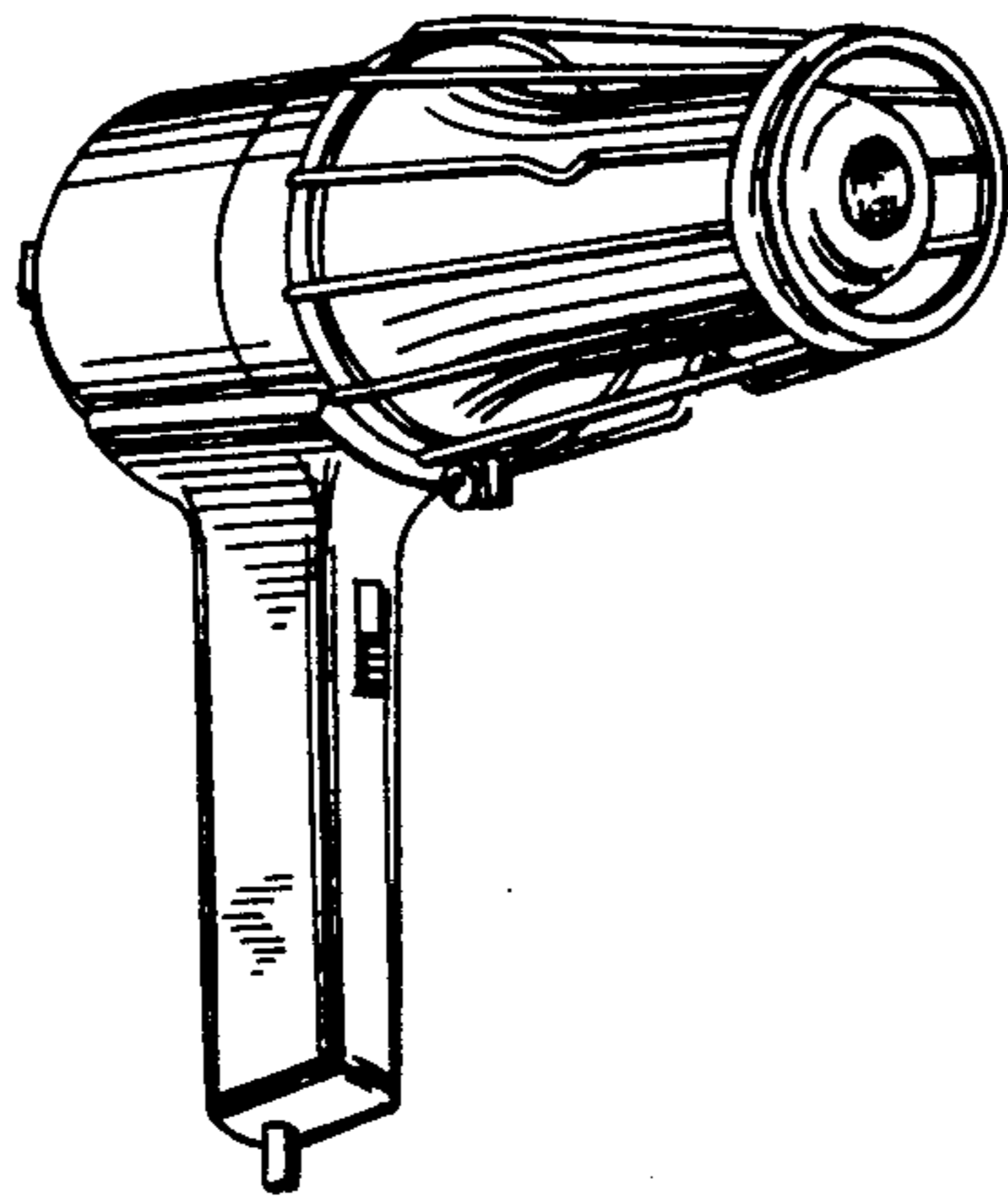


Fig. 2

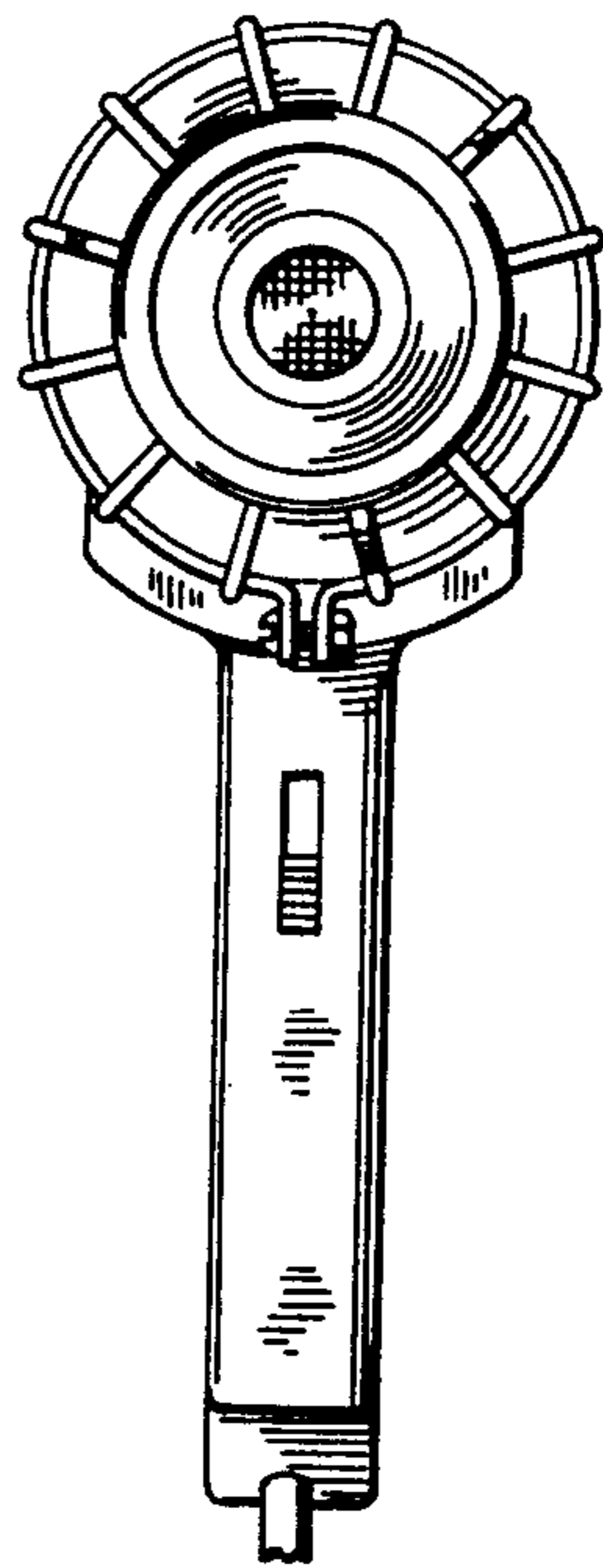


Fig. 3

Fig. 4

