

- [54] **SUPPORT BRACKET FOR A BATHROOM FIXTURE**
- [76] Inventor: **Anibal R. Chacon**, Cerro de las Torres 304, Col., Campestre Churubusco, Mexico, 21
- [**] Term: **14 Years**
- [21] Appl. No.: **941,626**
- [22] Filed: **Sep. 12, 1978**
- [51] Int. Cl. **D23—02**
- [52] U.S. Cl. **D6/103; D6/120**
- [58] Field of Search **D23/40-47; D6/90, 91, 92, 93, 94, 97, 99, 103, 120; 248/220.2, 309 R**

- D. 201,001 5/1965 Salberg D6/92
- D. 241,206 8/1976 Halsted et al. D6/120
- D. 247,146 2/1978 Watt, Jr. D6/120 X
- D. 250,992 2/1979 Chasen D6/120 X
- 1,272,899 7/1918 Berko D6/91 X
- 3,596,861 8/1971 Baldini D6/103 X

Primary Examiner—James R. Largen
Attorney, Agent, or Firm—Ladas & Parry

[57] **CLAIM**

The ornamental design for a support bracket for a bathroom fixture, substantially as shown and described.

DESCRIPTION

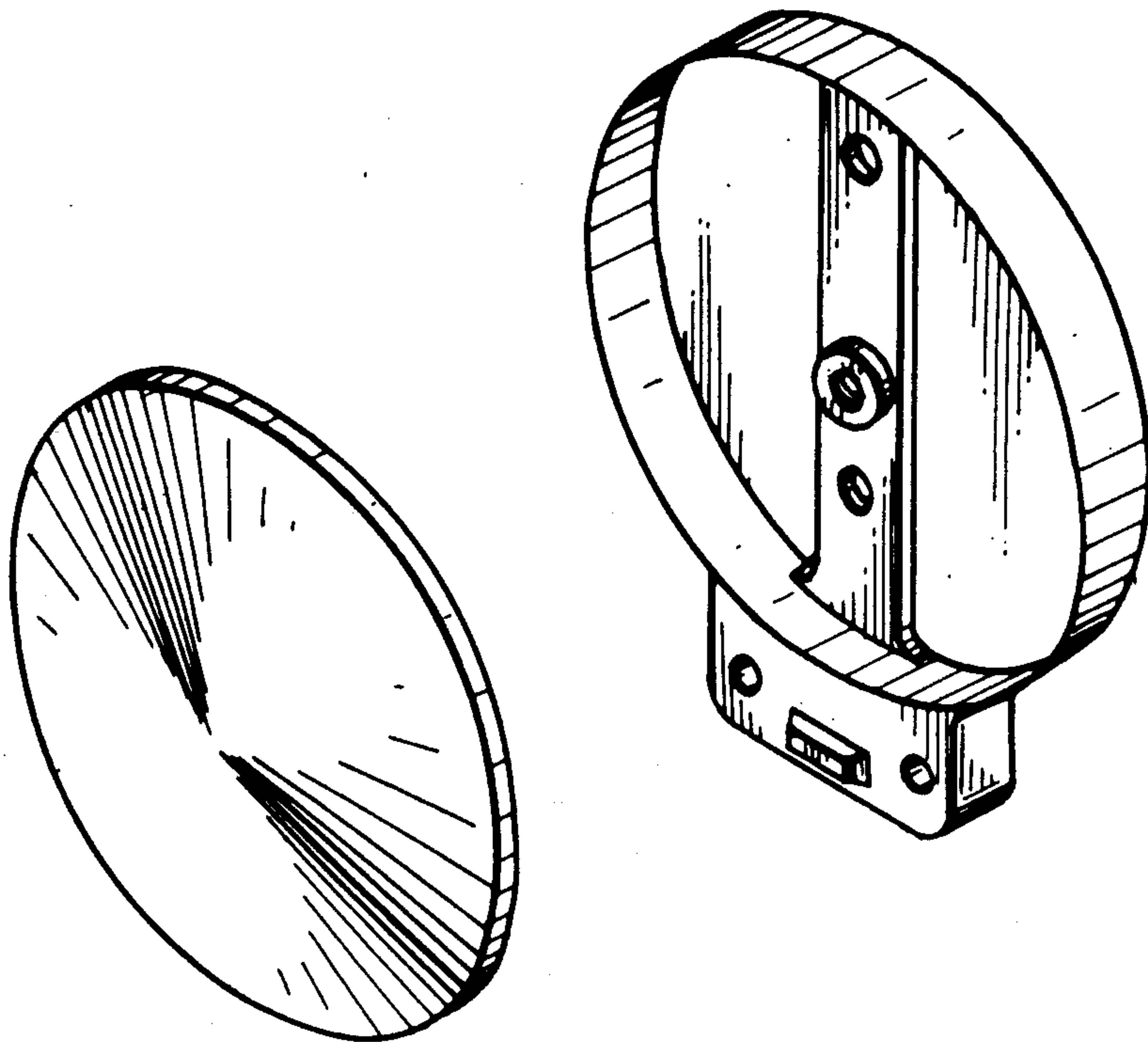
FIG. 1 is an exploded side elevational view of a support bracket for a bathroom fixture showing my new design; FIG. 2 is a front elevational view thereof, with the cover removed;

FIG. 3 is a rear elevational view of FIG. 2; FIG. 4 is an exploded perspective view thereof; FIG. 5 is a top plan view thereof; and FIG. 6 is an elevational view taken from the side opposite that shown in FIG. 1.

The broken line representation of a part of a soap dish in FIG. 5 and a clothes hook in FIG. 6 is for purposes of illustration only.

[56] **References Cited**
U.S. PATENT DOCUMENTS

- D. 139,145 10/1944 Sadowski D6/99
- D. 144,010 2/1946 Van Doren D6/120
- D. 144,326 2/1946 Van Doren D6/90
- D. 172,318 5/1954 Simpson D6/103
- D. 185,778 7/1959 Sharpo D6/90
- D. 189,180 11/1960 Young D23/42
- D. 190,314 5/1961 Nelson D23/42



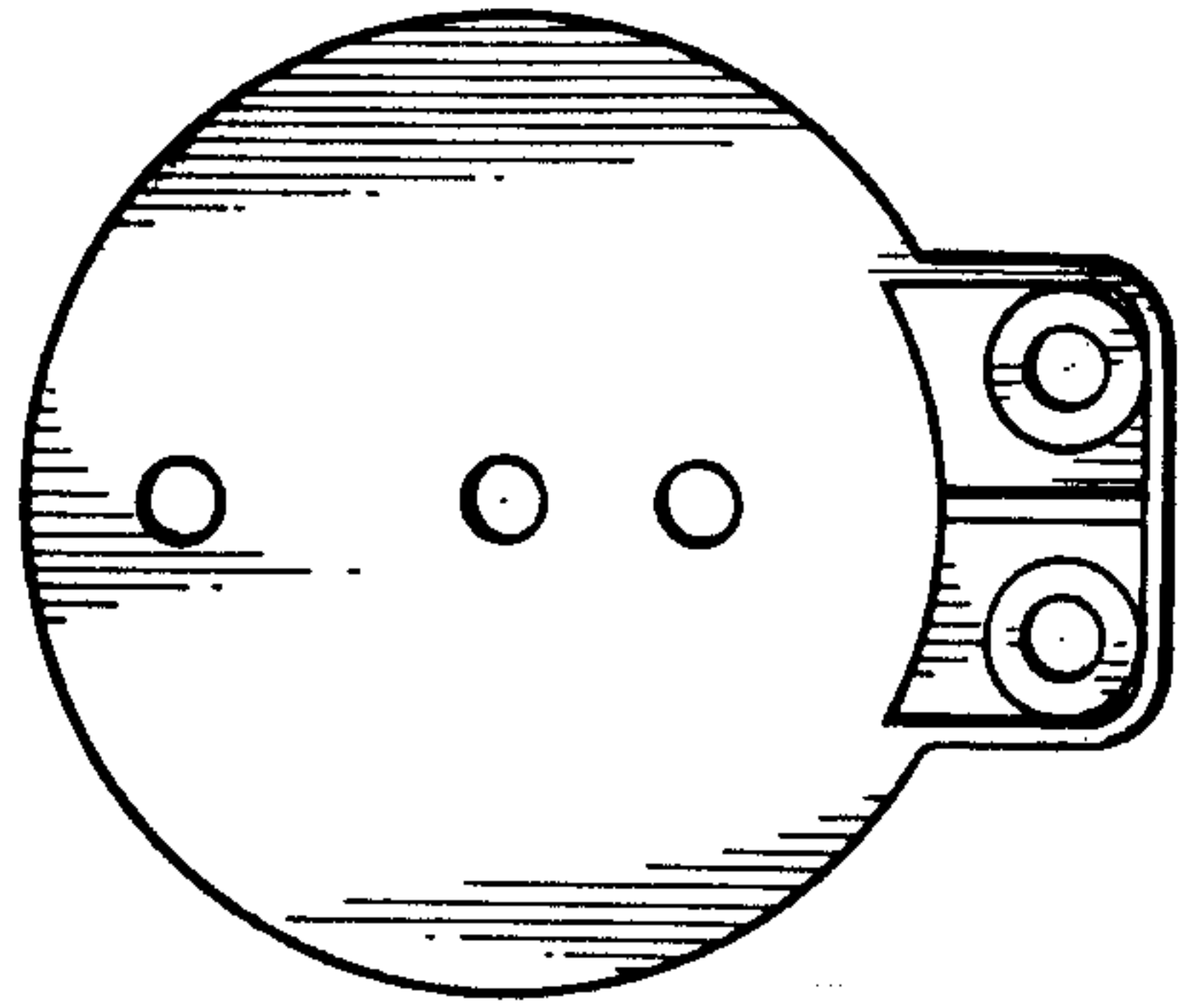


Fig. 3.

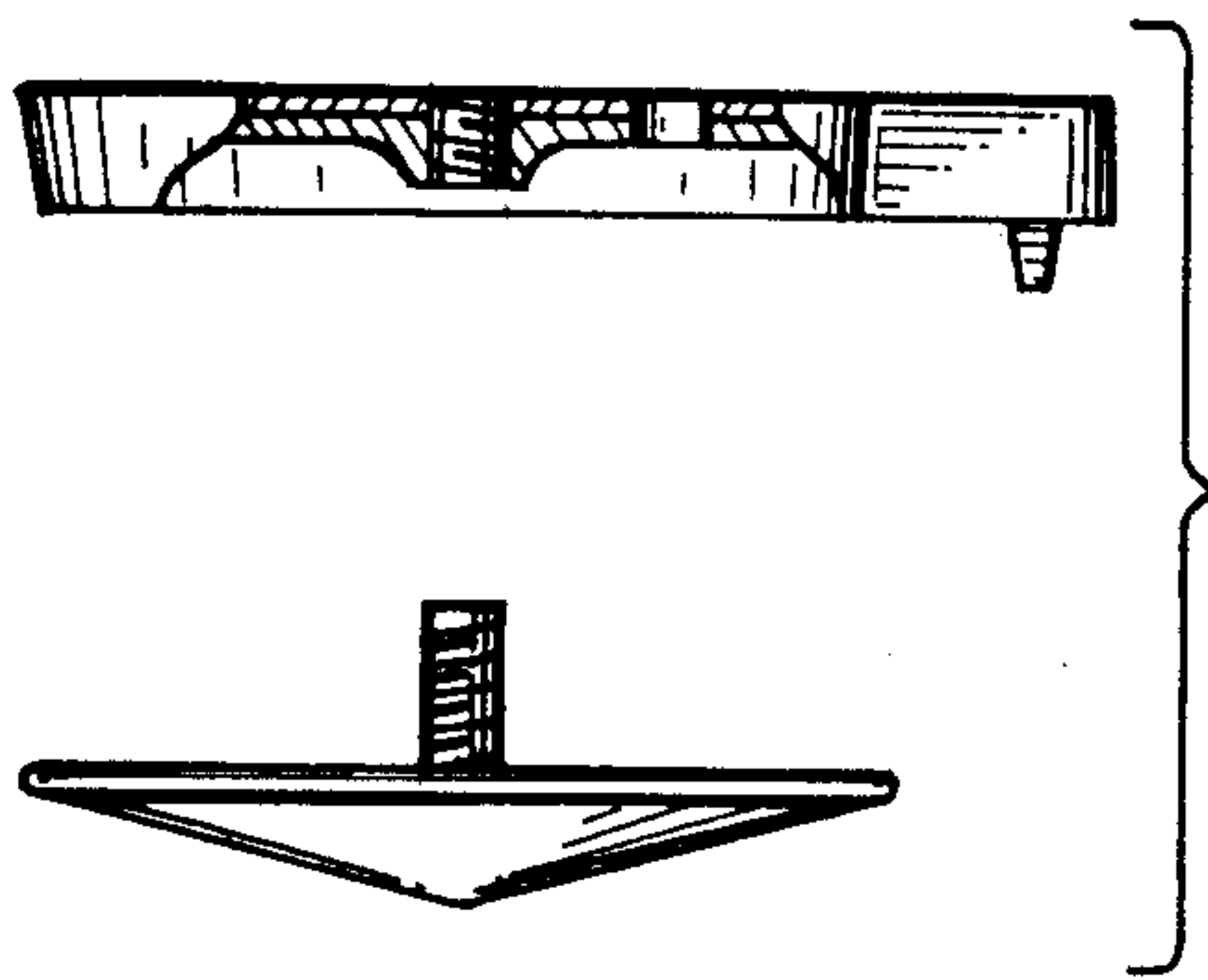


Fig. 1.

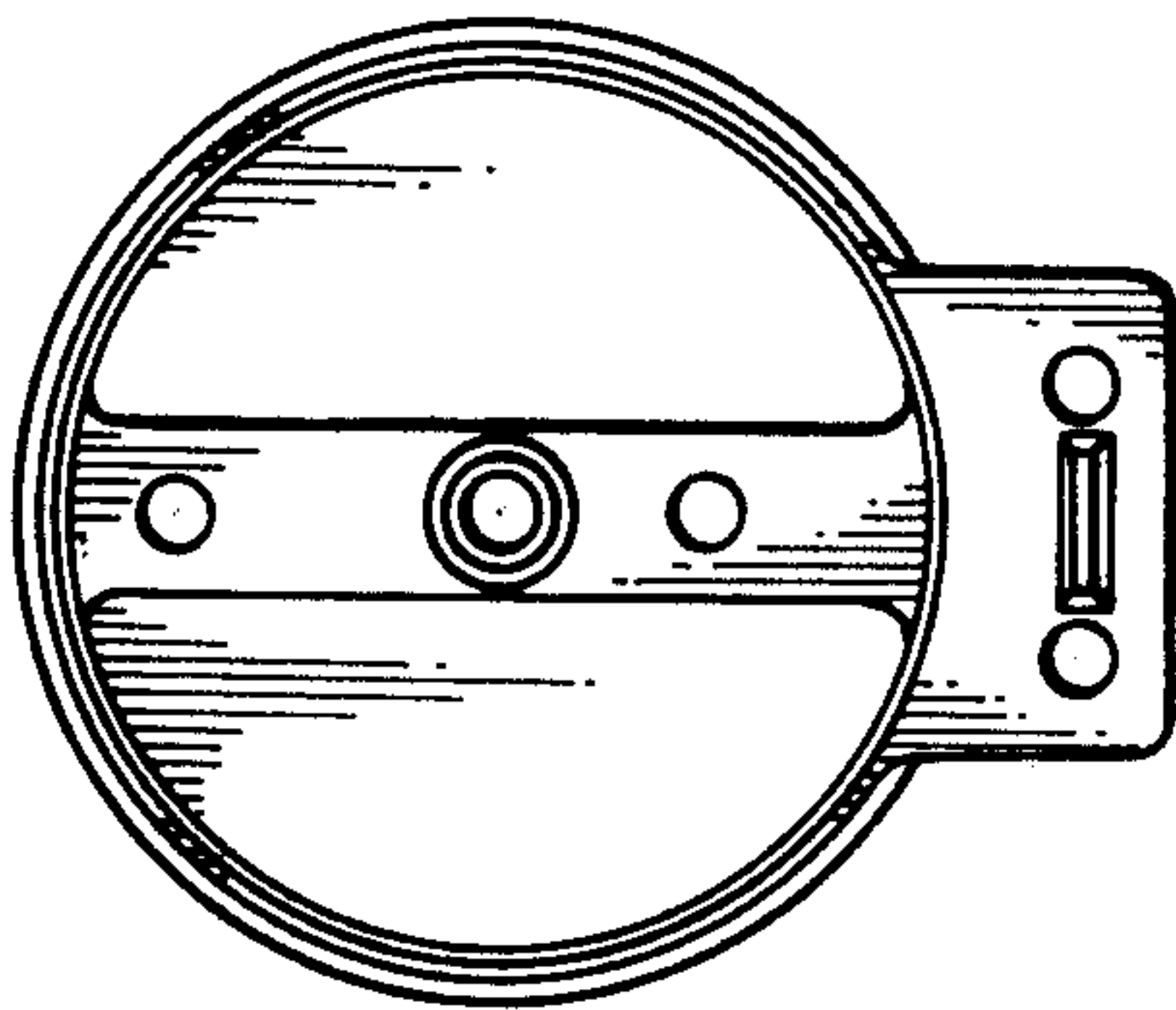


Fig. 2.

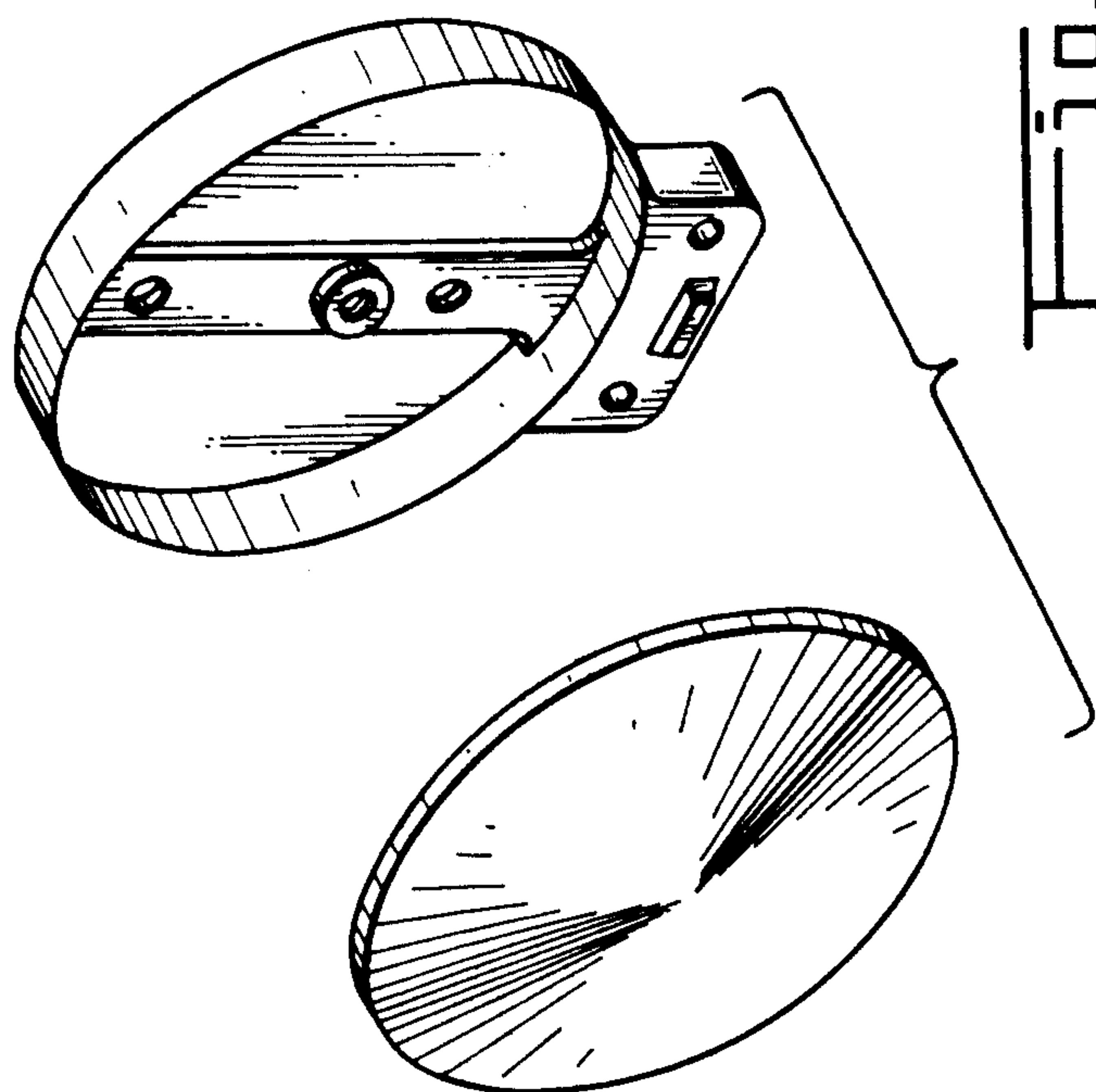


Fig. 4.

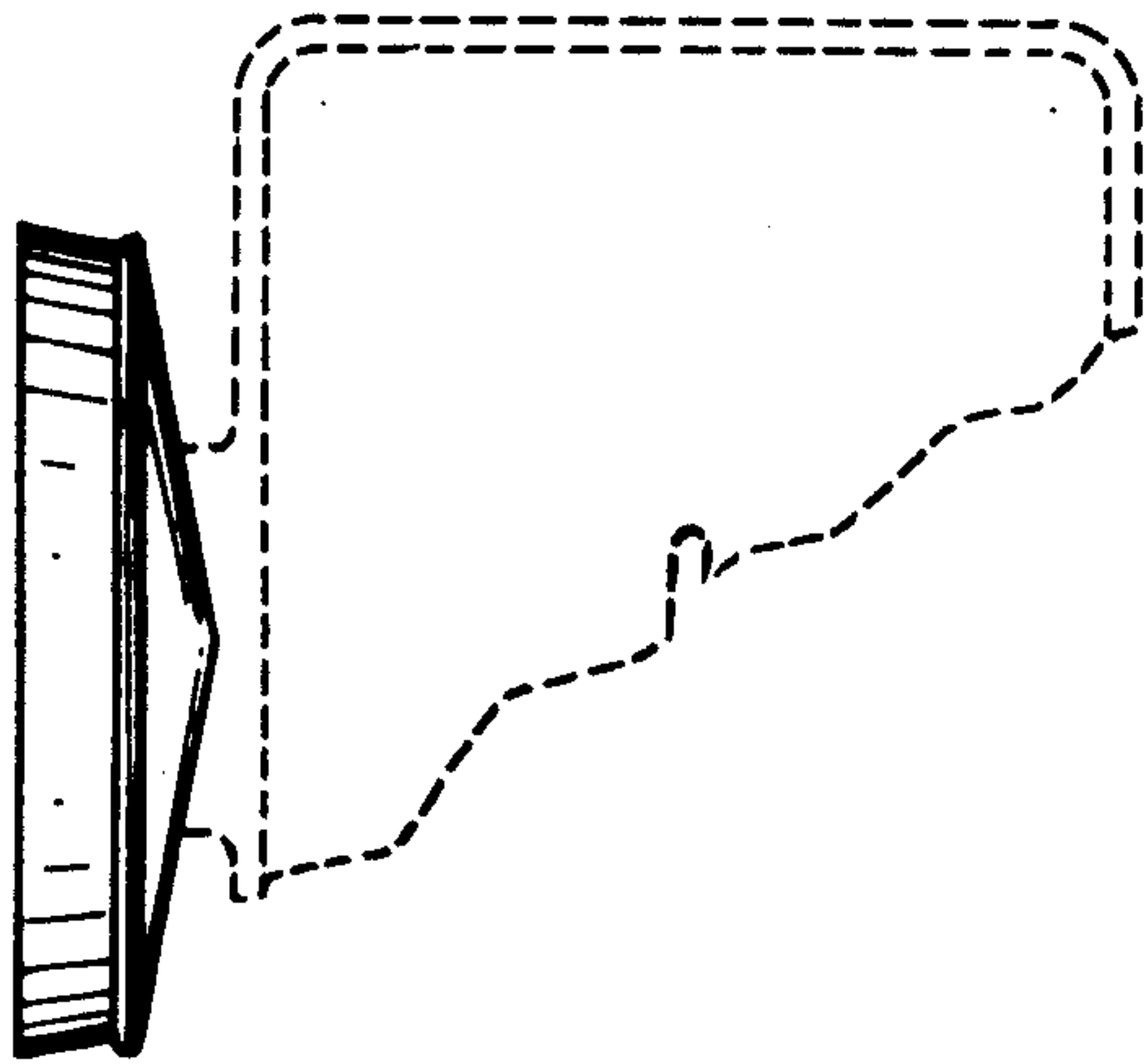


Fig. 5.

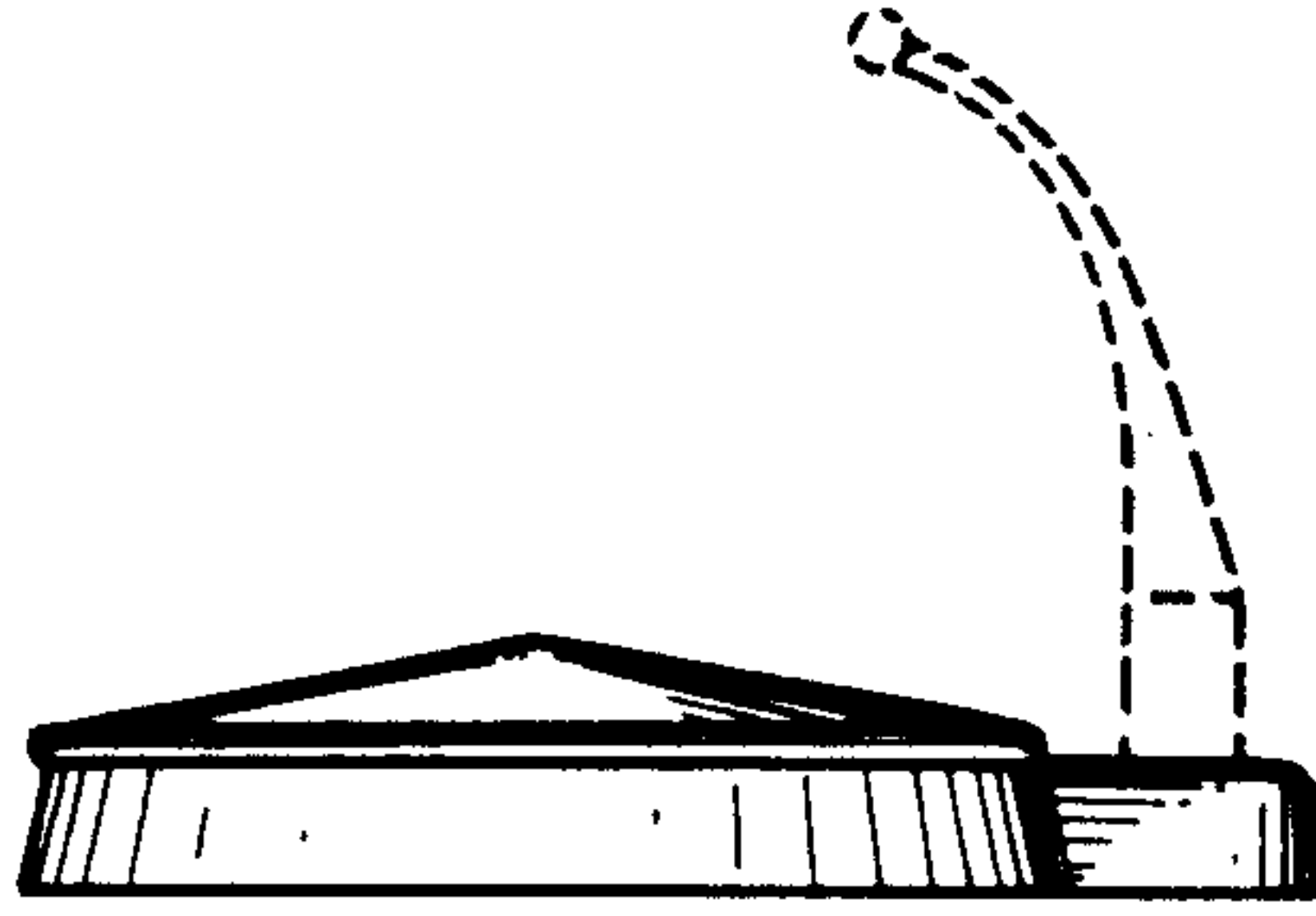


Fig. 6.