

[54] RAZOR HOLDING RACK

1,981,674 11/1934 Solomon D6/88
2,960,237 11/1960 McEnery 211/87

[76] Inventor: Roy J. Lester, 78 Inwood Ave., Point Lookout, N.Y. 11569

Primary Examiner—B. J. Bullock
Attorney, Agent, or Firm—Frishauf, Holtz, Goodman & Woodward

[**] Term: 14 Years

[21] Appl. No.: 84,112

[57] CLAIM

[22] Filed: Oct. 12, 1979

The ornamental design for a razor holding rack, as shown and described.

[51] Int. Cl. D6—04

[52] U.S. Cl. D6/88; D6/125

[58] Field of Search D6/88, 94, 114, 125, D6/130; D8/371, 373; 211/13, 60 R, 60 SK, 60 A, 60 T, 87, 90; 248/205 A, 300, 301, 309 R

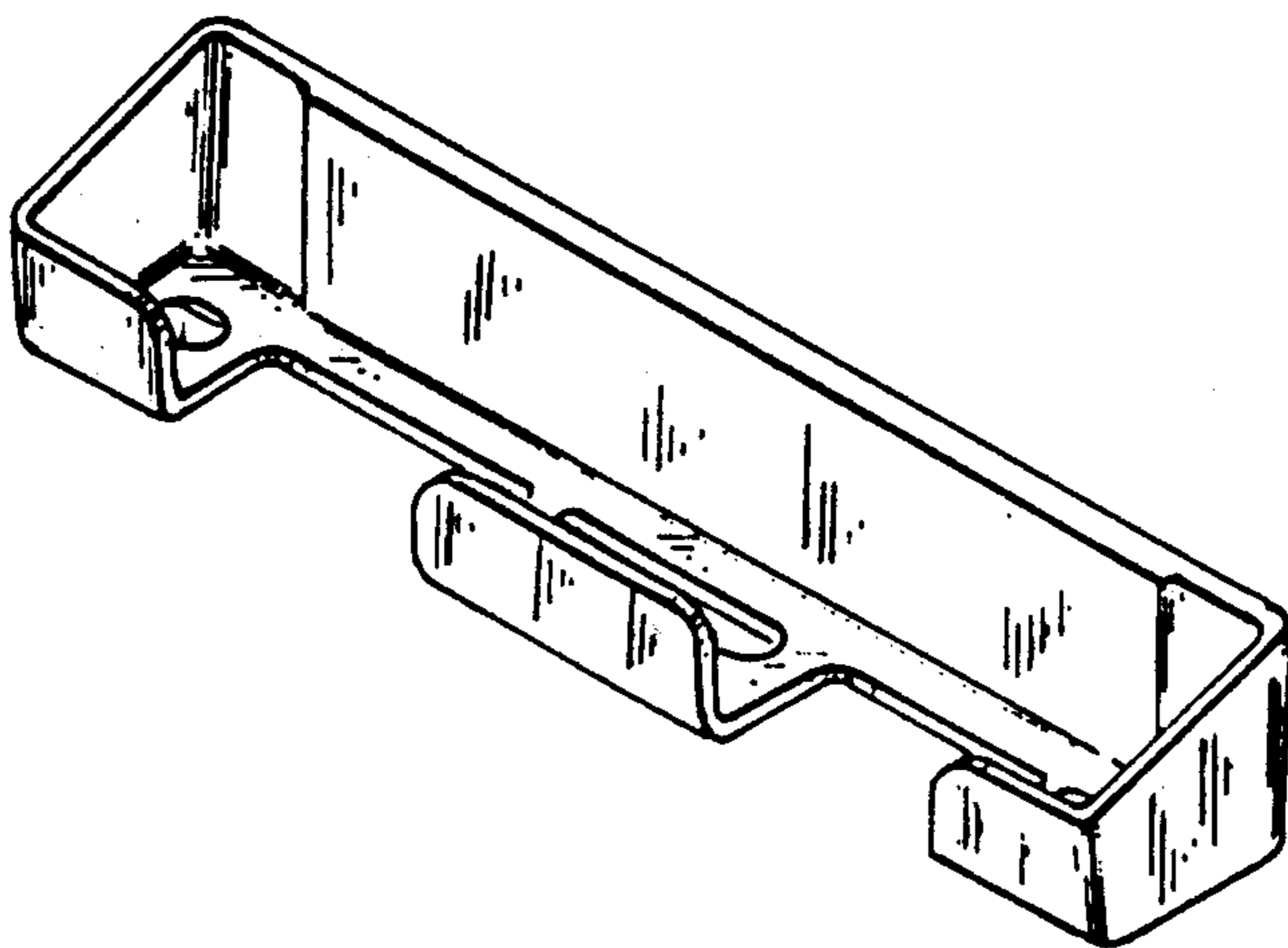
DESCRIPTION

FIG. 1 is a perspective view of a razor holding rack showing my new design;
FIG. 2 is a front view thereof;
FIG. 3 is a side view taken from the right of FIG. 1, the side opposite being a mirror image thereof;
FIG. 4 is a top view thereof;
FIG. 5 is a bottom view thereof;
FIG. 6 is a rear view thereof; and
FIG. 7 is a rear perspective view of a second embodiment of the design of FIG. 1, the only difference being the addition of an adhesive mounting strip on the rear.

[56] References Cited

U.S. PATENT DOCUMENTS

- D. 179,714 2/1957 Wise D6/88
- D. 206,426 12/1966 Wise D6/88
- D. 238,529 1/1976 Muller D6/88
- D. 254,881 5/1980 Pyskaty D6/114



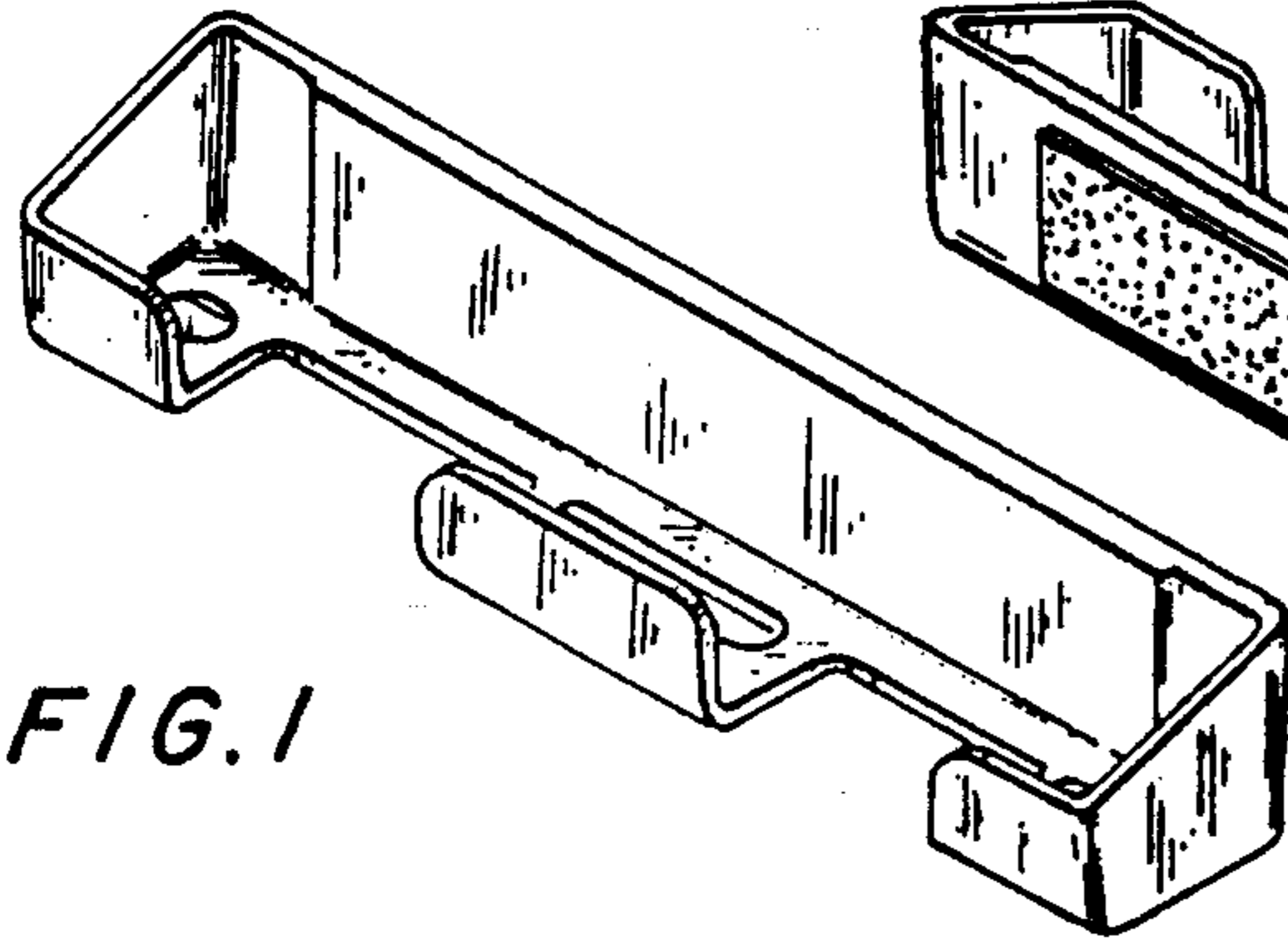


FIG. 1

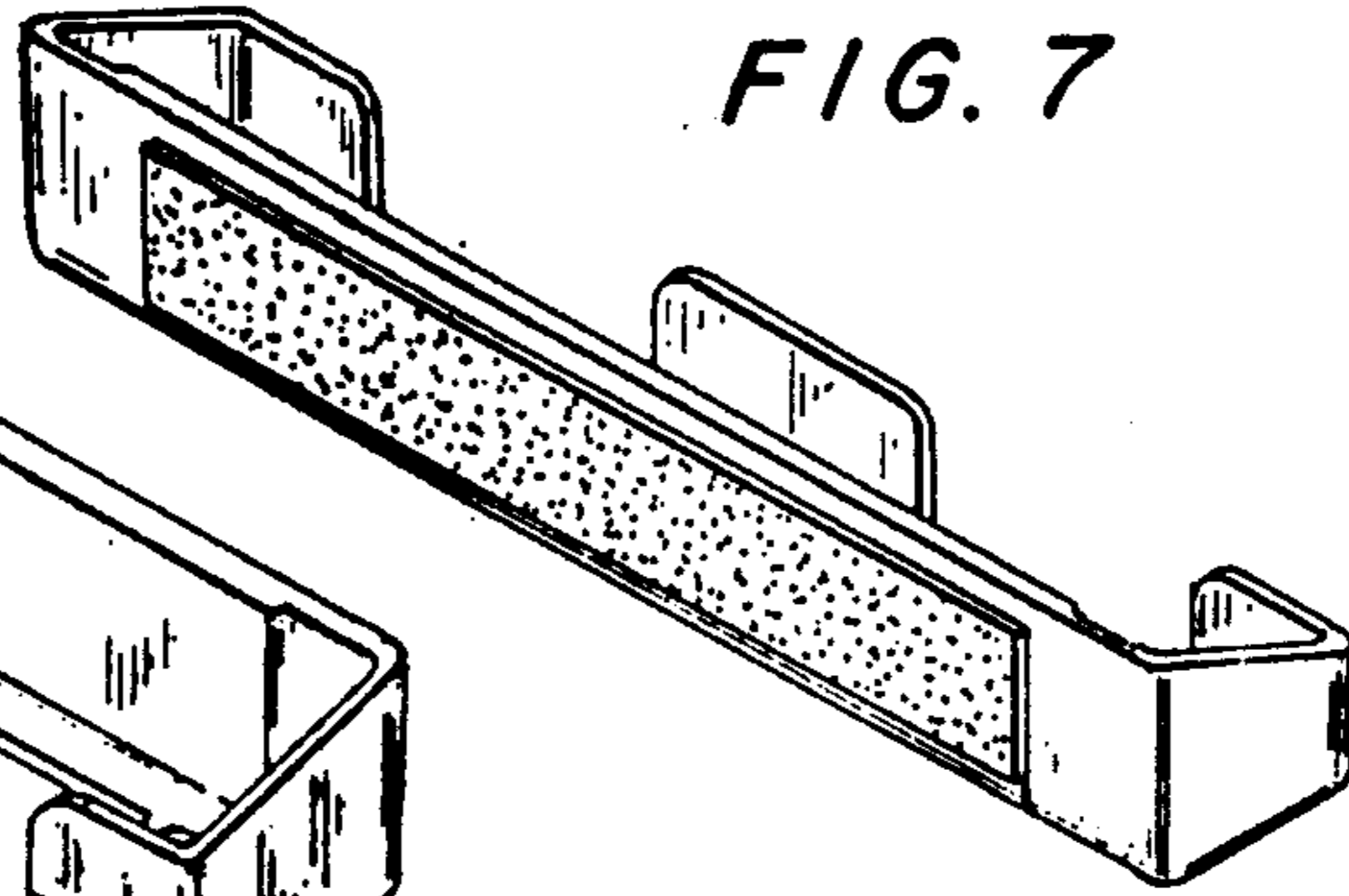


FIG. 7



FIG. 2

FIG. 3

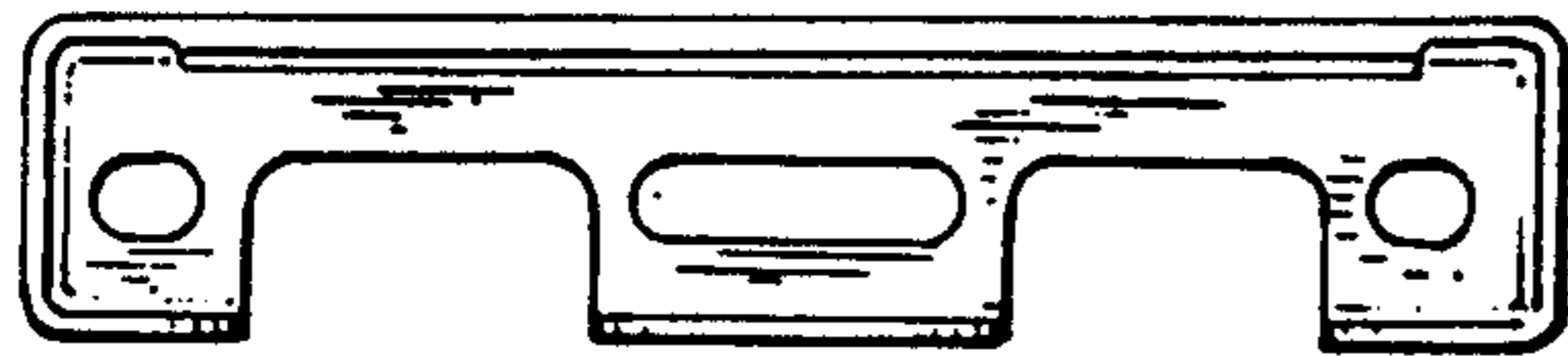


FIG. 4



FIG. 5

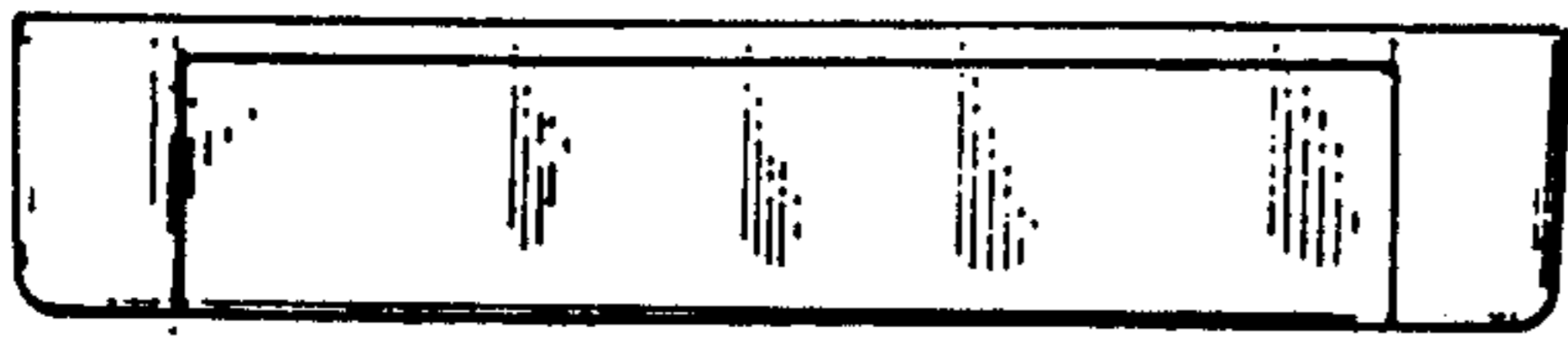


FIG. 6