

[54] SOIL EROSION PREVENTION BLOCK

[56] References Cited

[76] Inventor: Kossuth J. Landry, Jr., P.O. Box 599
Channelview, TX

1,231,688	7/1917	Alfieres	404/22
1,636,114	7/1927	Streator	404/29
1,812,711	6/1931	Pessione	404/42

U.S. PATENT DOCUMENTS

FOREIGN PATENT DOCUMENTS

29755	6/1958	Finland	404/34
-------	--------	---------------	--------

Primary Examiner—A. Hugo Word
Attorney, Agent, or Firm—Guy E. Matthews

[**] Term: 14 Years

[21] Appl. No.: 964,600

[57] CLAIM

[22] Filed: Nov. 29, 1978

The ornamental design for a soil erosion prevention block, substantially as shown and described.

DESCRIPTION

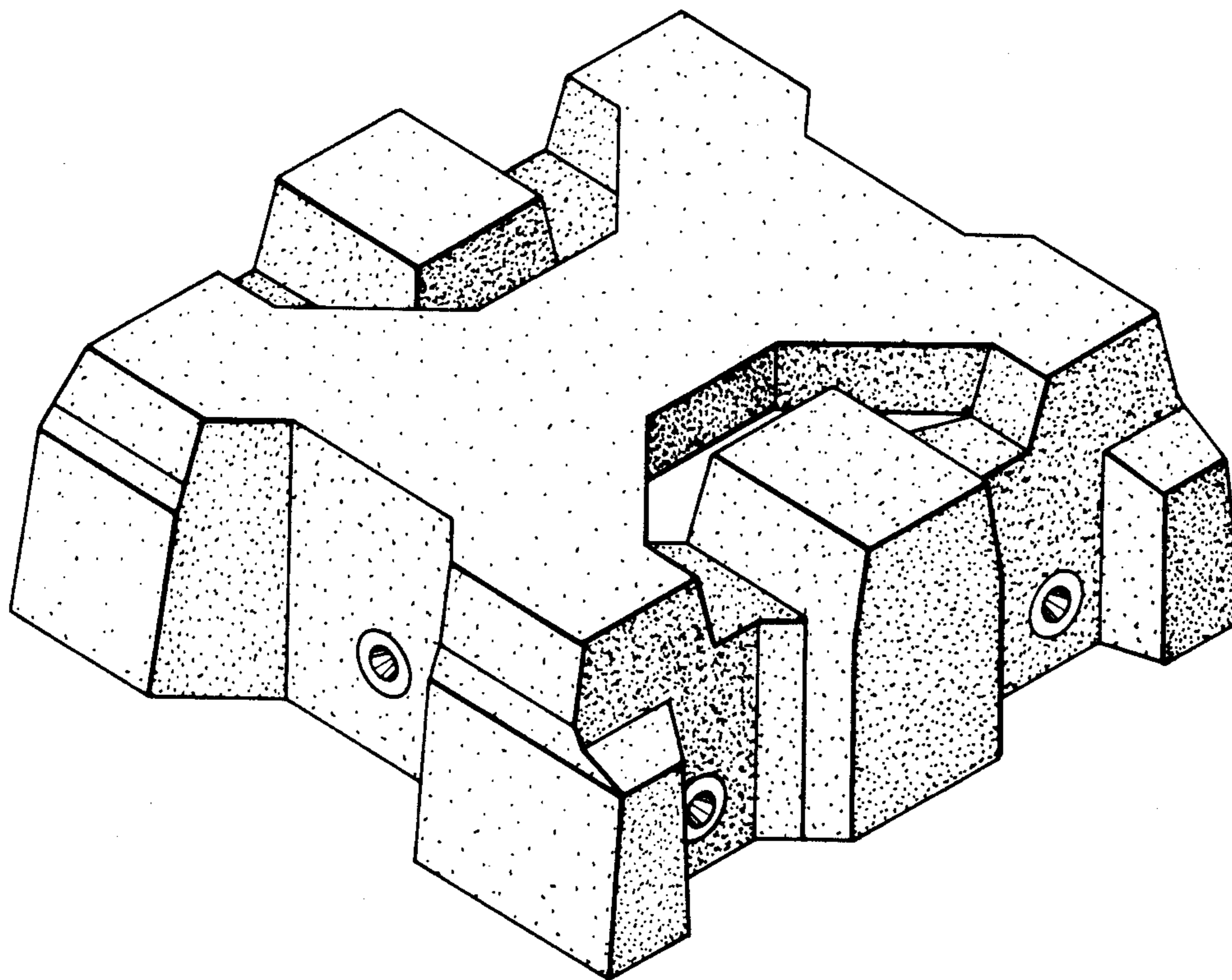
[51] Int. Cl. D25-01

[52] U.S. Cl. D25/91; D25/92

[58] Field of Search 405/15, 16, 17; 404/34,
404/35, 39, 41, 29, 36, 17, 18, 19, 22, 24, 42;
D25/80, 87, 88, 91, 92, 97

FIG. 1 is a perspective of a device embodying my design; and

FIG. 2 is a perspective of the device taken from the under side thereof.



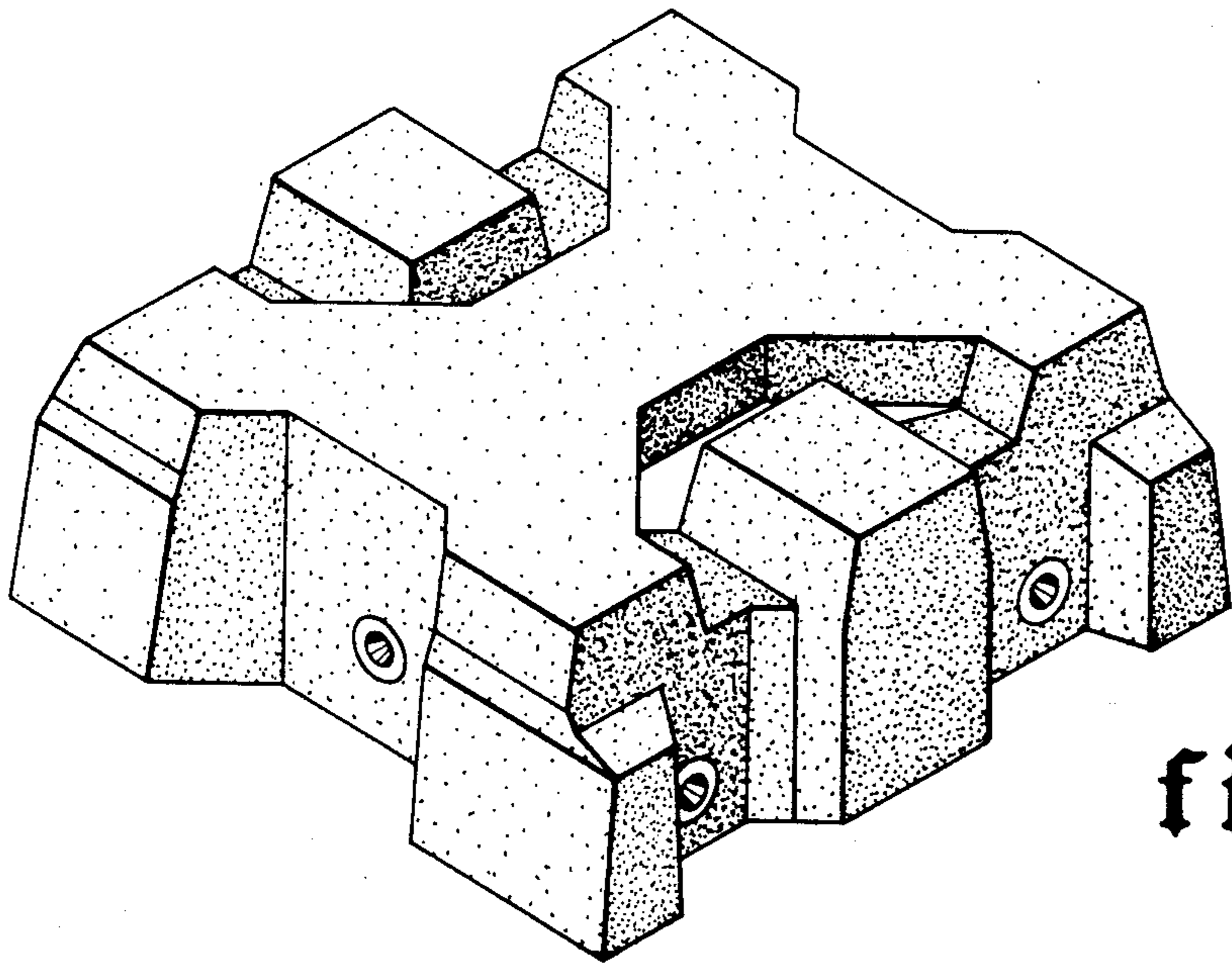


fig. 1

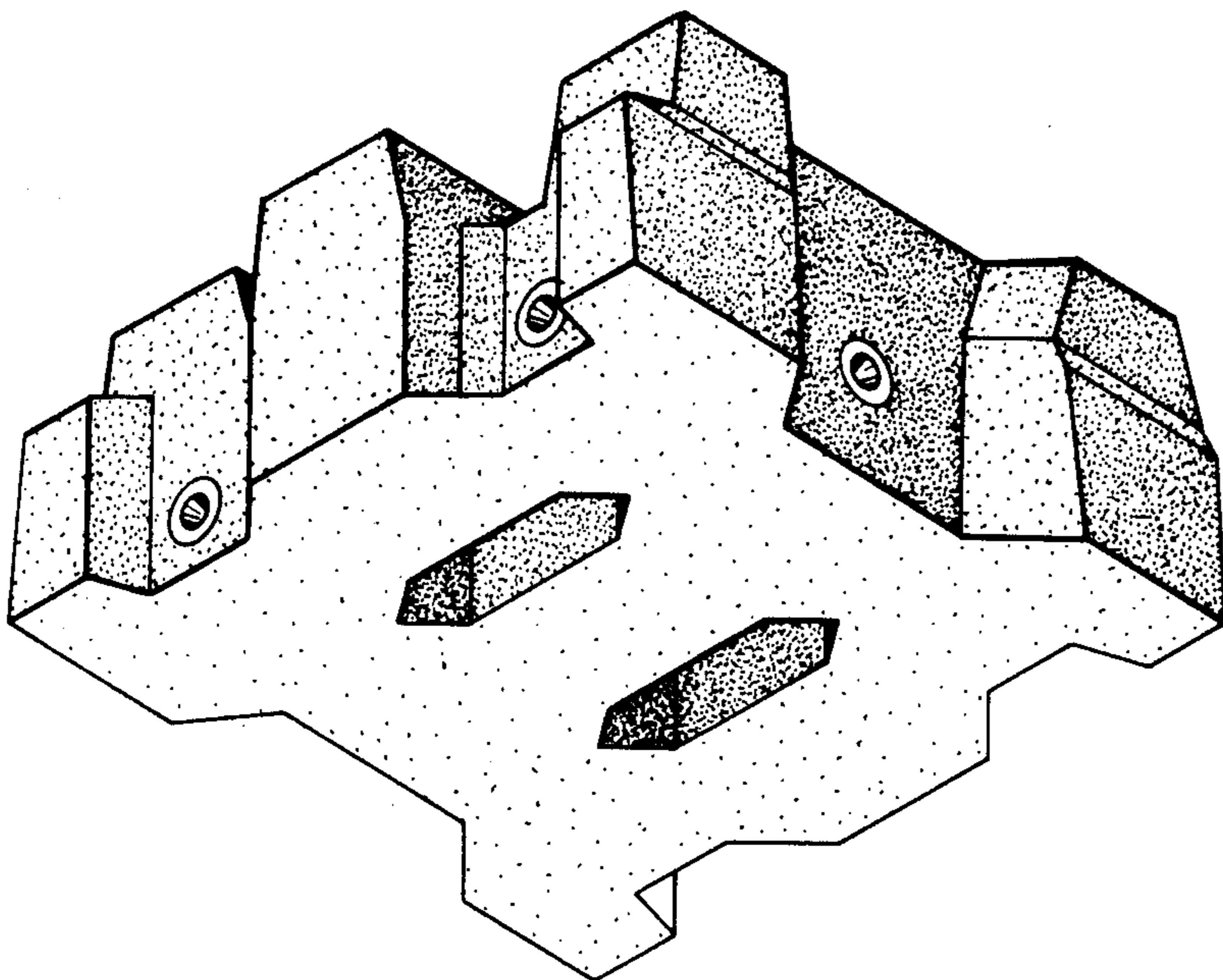


fig. 2