

[54] ROOF VENT

[76] Inventor: John R. McCullough, 23891 Madison St., Torrance, Calif. 90505

[\*\*] Term: 14 Years

[21] Appl. No.: 32,716

[22] Filed: Apr. 23, 1979

[51] Int. Cl. .... D23-04

[52] U.S. Cl. .... D23/153

[58] Field of Search ..... D23/150-163; 98/83, 84

[56] References Cited

U.S. PATENT DOCUMENTS

163,961 10/1875 Betts ..... 98/81

D. 190,144	4/1961	Breidert .....	D23/153
D. 193,642	9/1962	Patterson .....	D23/153
1,785,228	12/1930	Schmidt .....	D23/153 X
2,830,526	4/1958	Breidert .....	98/83 X
3,049,068	8/1962	Rousey .....	D23/153 X

Primary Examiner—James R. Largen

Attorney, Agent, or Firm—Georges A. Maxwell

[57] CLAIM

The ornamental design for a roof vent, as shown.

DESCRIPTION

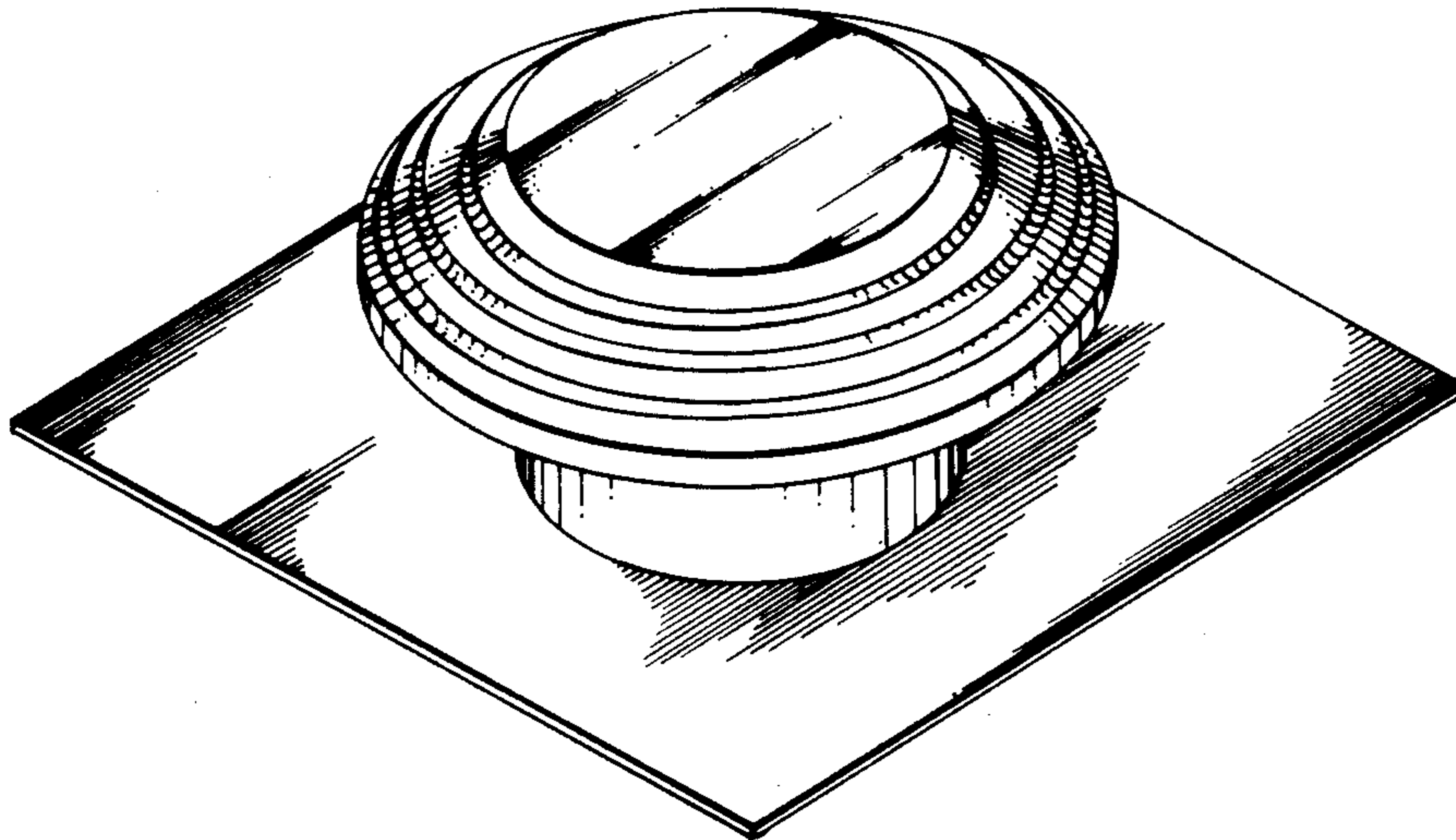
FIG. 1 is an isometric view of a roof vent showing my new design;

FIG. 2 is a side elevational view thereof;

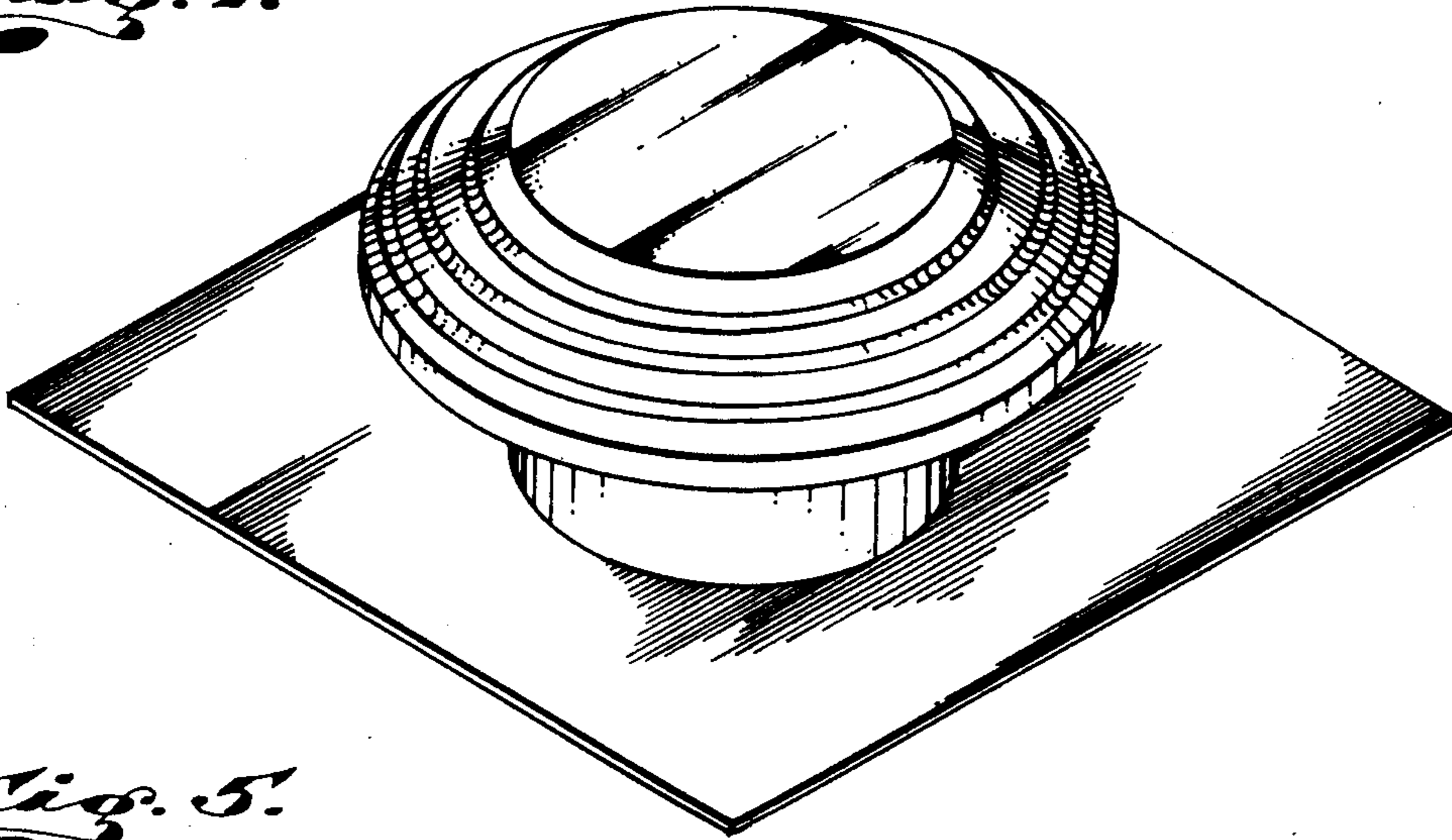
FIG. 3 is a top plan view thereof;

FIG. 4 is a bottom plan view thereof; and

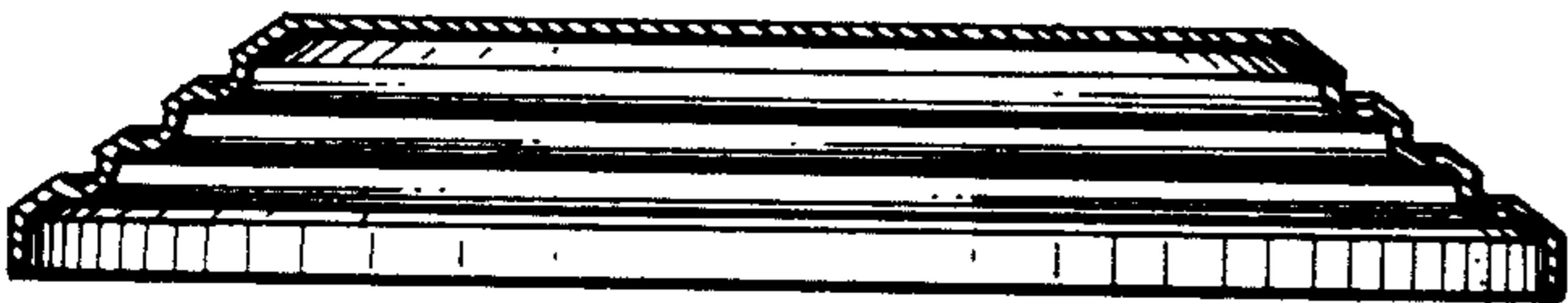
FIG. 5 is a cross sectional view of the roof vent cover.



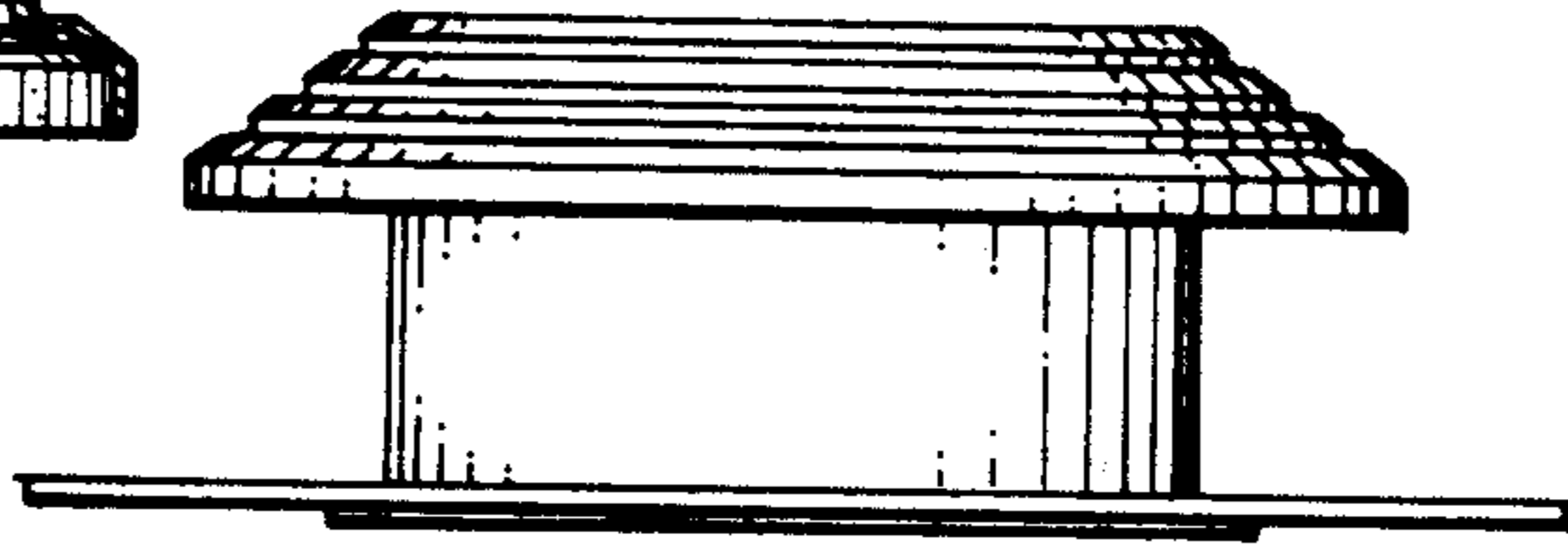
*Fig. 1.*



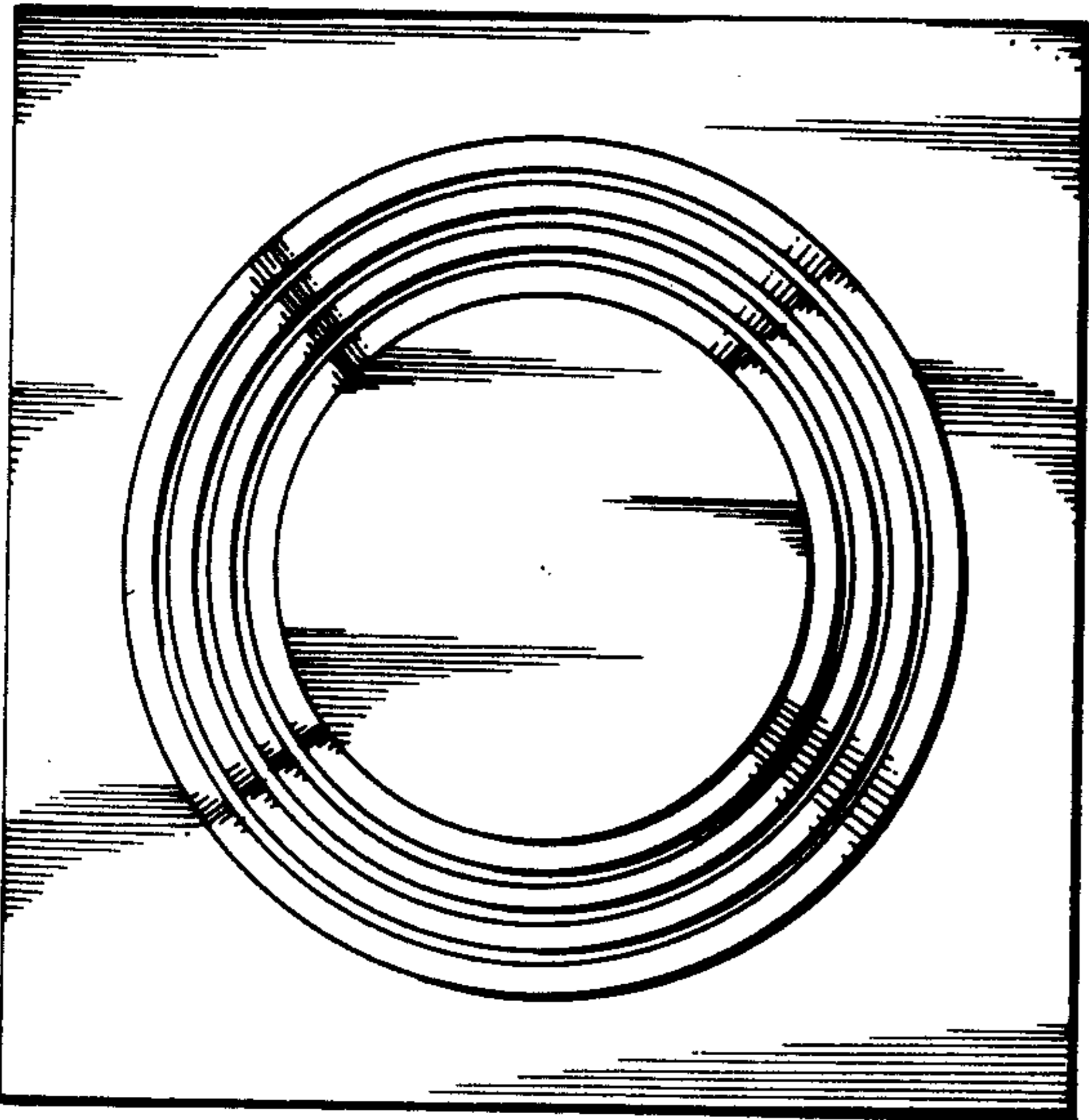
*Fig. 5.*



*Fig. 2.*



*Fig. 3.*



*Fig. 4.*

