

[54] FACIAL SAUNA HOUSING

3,949,743 4/1976 Shanbrom D23/148 X

[75] Inventor: Michael A. Cousins, Huntington, N.Y.

Primary Examiner—Louis S. Zarfes
Attorney, Agent, or Firm—Richard A. Wise; Raymond J. De Vellis

[73] Assignee: The Gillette Company, Boston, Mass.

[57] CLAIM

[**] Term: 14 Years

The ornamental design for a facial sauna housing, as shown and described.

[21] Appl. No.: 970,744

[22] Filed: Dec. 18, 1978

[51] Int. Cl. D28—03

[52] U.S. Cl. D23/148

[58] Field of Search D28/9, 12, 99; D24/35, D24/37; D23/148; 219/271

DESCRIPTION

FIG. 1 is a perspective view of a facial sauna housing showing my new design;

FIG. 2 is a left side elevational view thereof;

FIG. 3 is a right side elevational view thereof;

FIG. 4 is a front elevational view thereof;

FIG. 5 is a rear elevational view thereof;

FIG. 6 is a top plan view thereof; and

FIG. 7 is a bottom plan view thereof.

The cord is depicted only partially for convenience of illustration.

[56] References Cited

U.S. PATENT DOCUMENTS

- D. 111,551 9/1938 Schleimer D28/12
- D. 213,560 3/1969 Luedtke D23/148

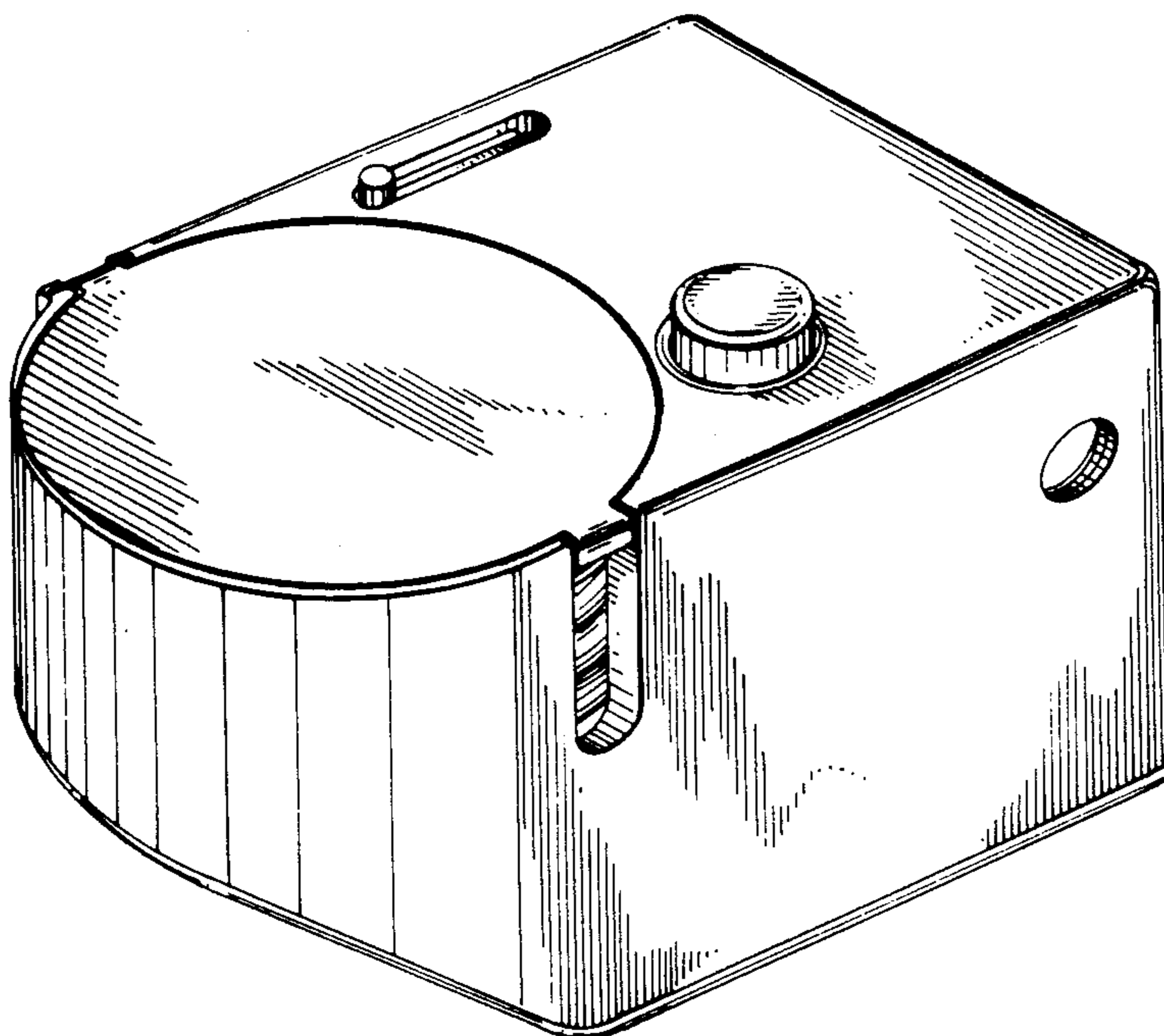


Fig. 1

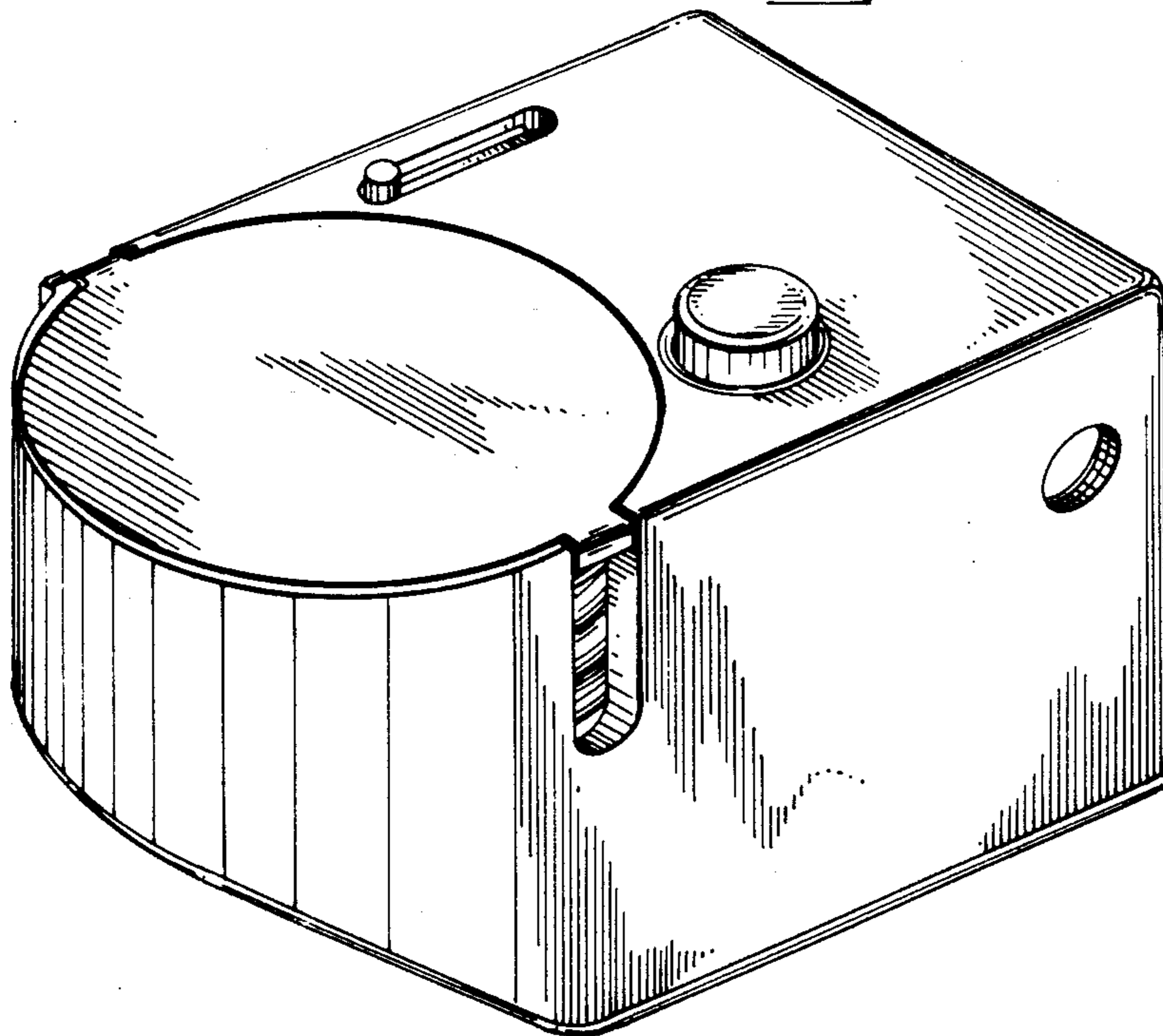


Fig. 2

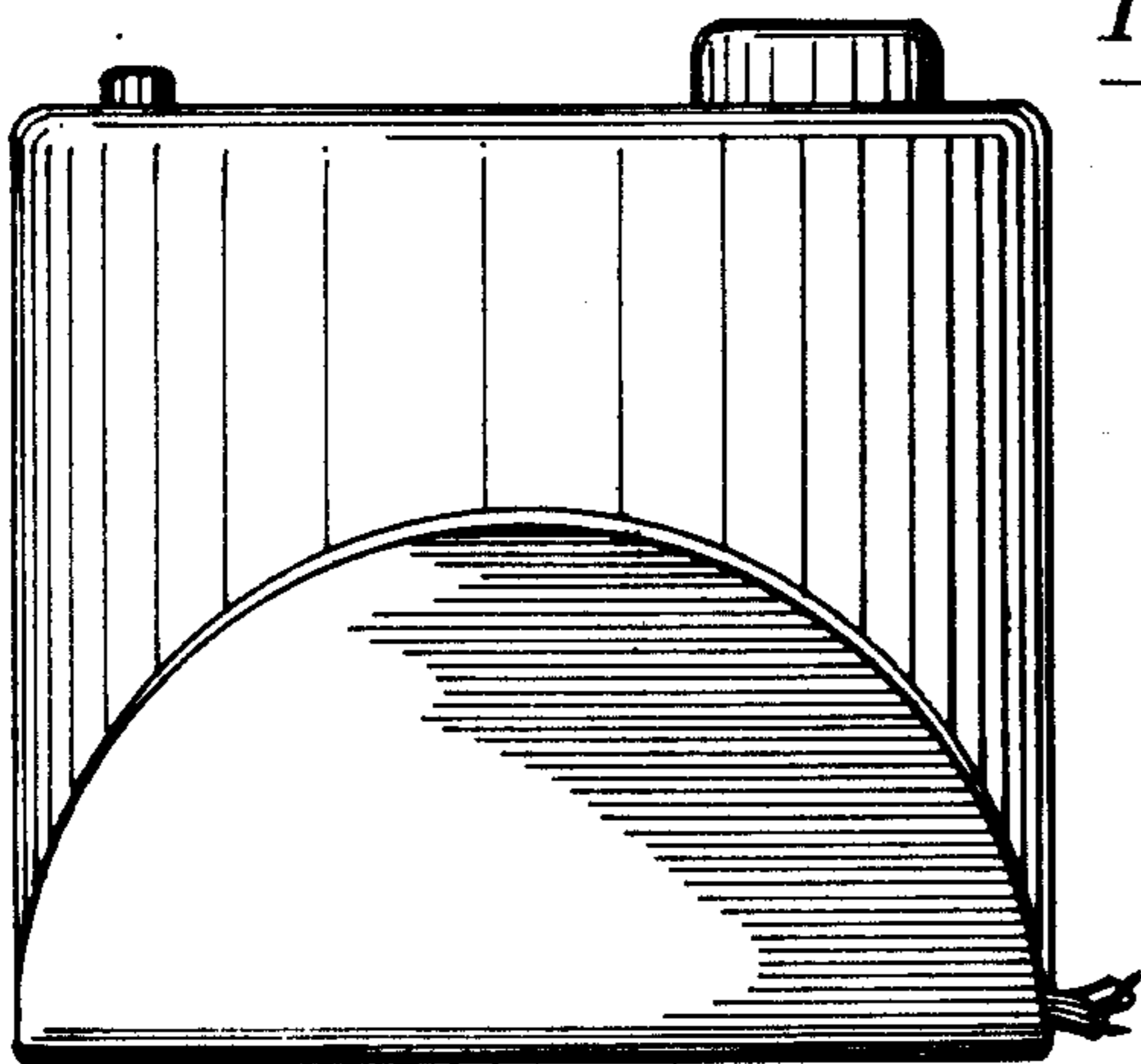


Fig. 3

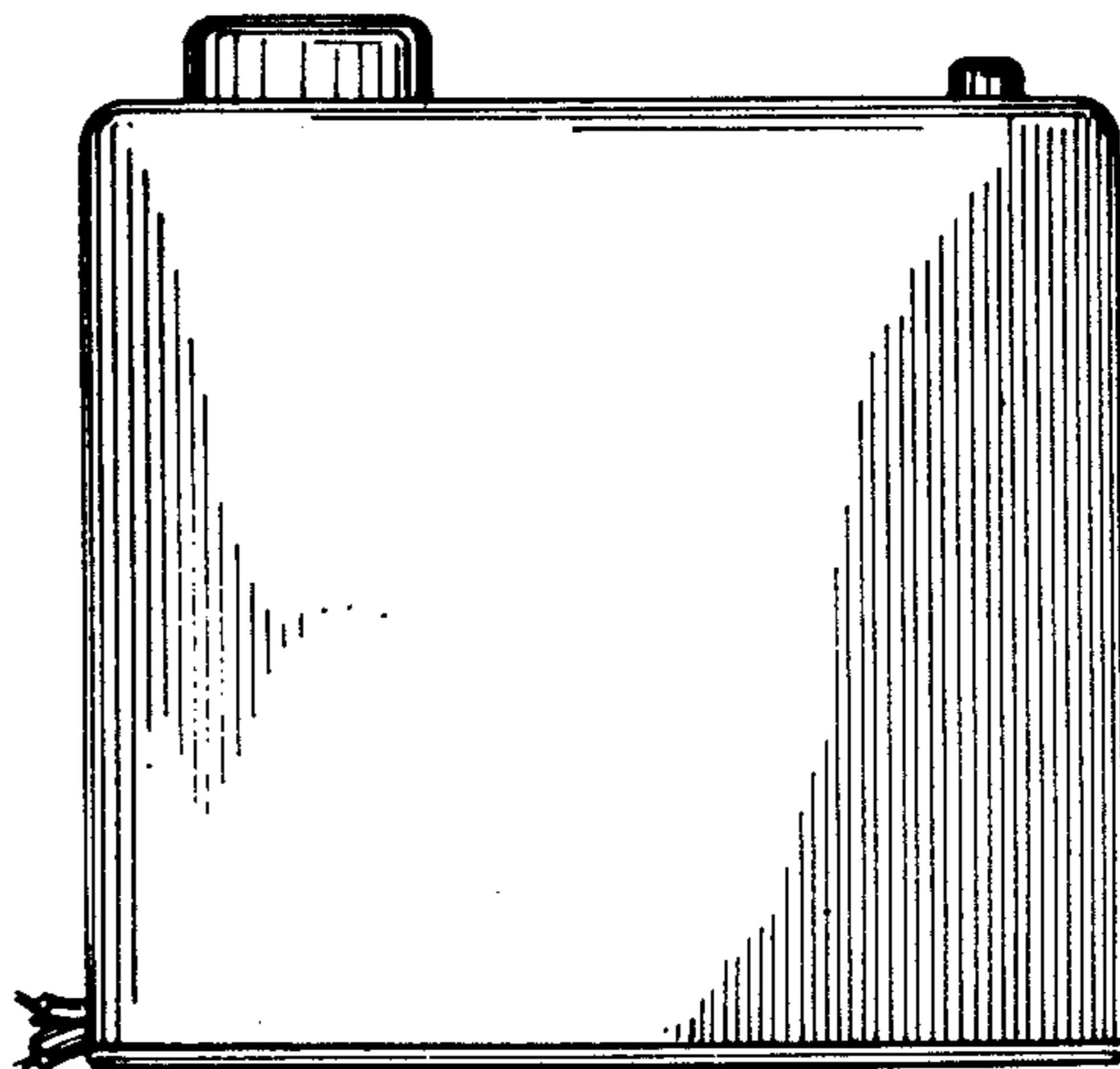


Fig 4

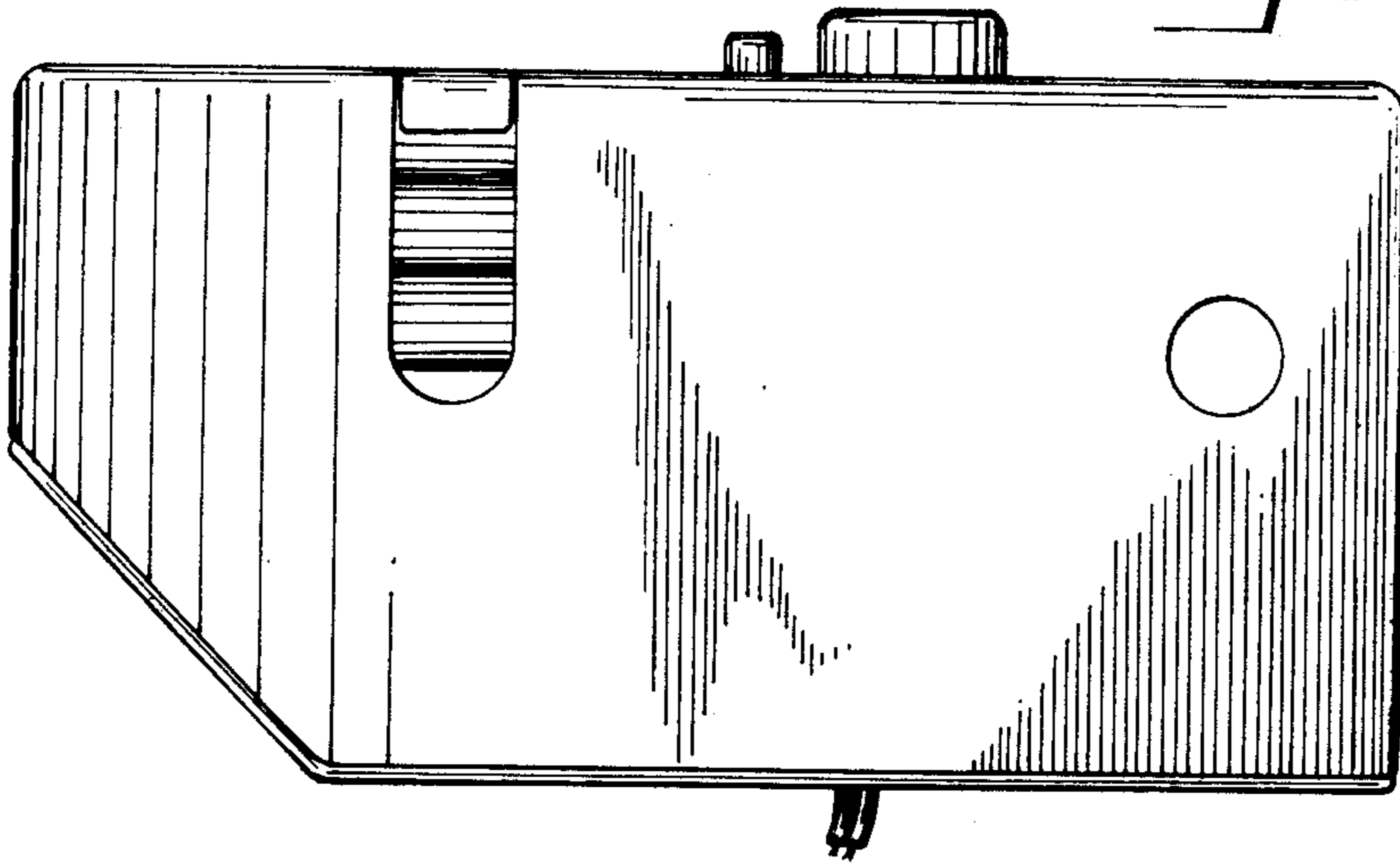


Fig. 5

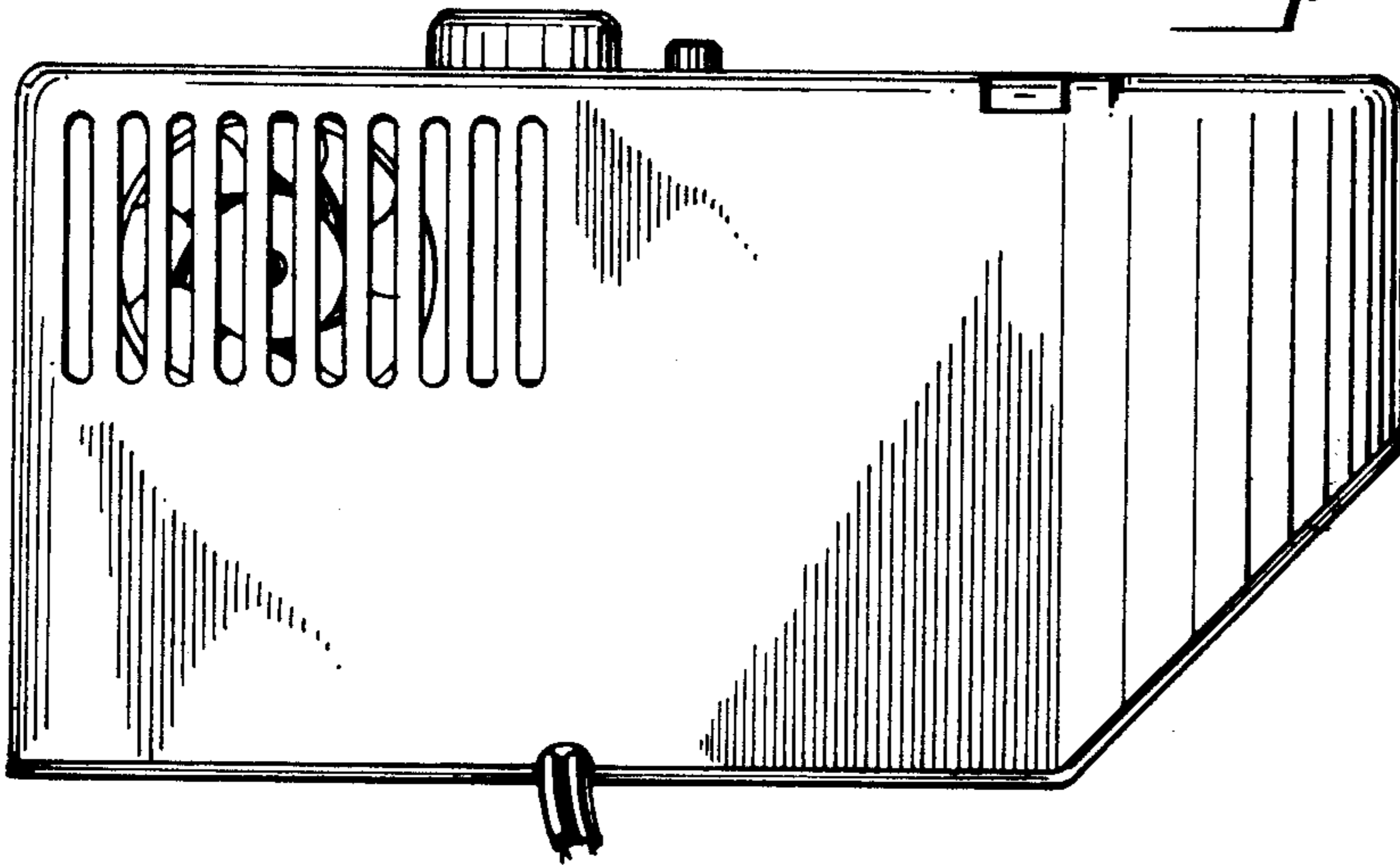


Fig.6

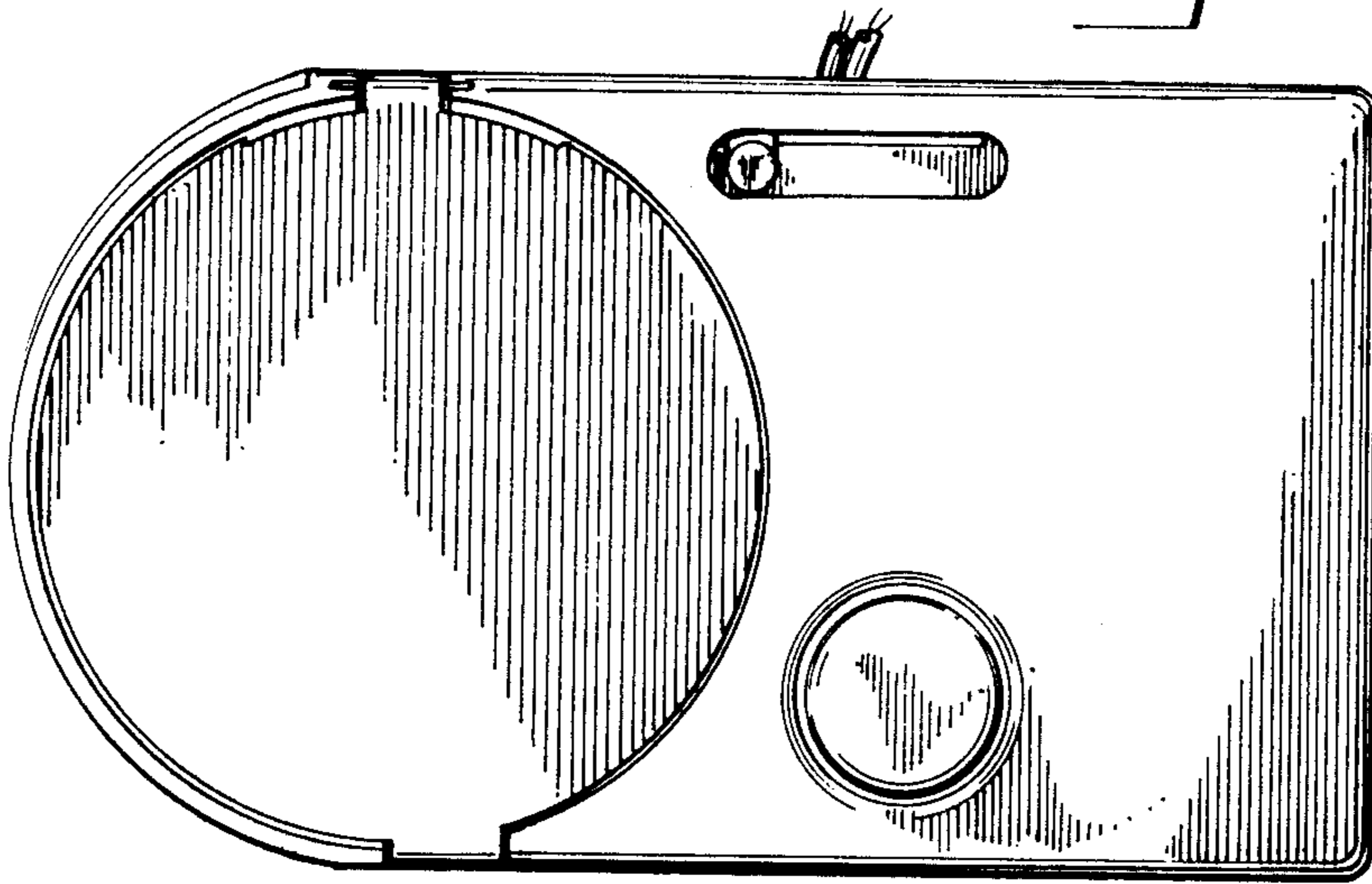


Fig.7

