

[54] FISHING SPINNING REEL

[75] Inventors: Tetsuyuki Doi; Takeshi Shohoji, both of Fukuyama, Japan

[73] Assignee: Ryobi Limited, Japan

[**] Term: 14 Years

[21] Appl. No.: 918,622

[22] Filed: Jun. 23, 1978

[30] Foreign Application Priority Data

Jan. 31, 1978 [JP] Japan 53-3097

[51] Int. Cl. D22-25

[52] U.S. Cl. D22/25

[58] Field of Search D22/25; 262/84.1, 84.21, 262/84.2; 43/23

[56] References Cited

U.S. PATENT DOCUMENTS

D. 223,605	5/1972	Endo et al.	D22/25
D. 230,591	3/1974	Underwood	D22/25
3,138,344	6/1964	Small	D22/25 X

Primary Examiner—A. Hugo Word
Attorney, Agent, or Firm—William Anthony Drucker

[57] CLAIM

The ornamental design for the fishing spinning reel, as shown and described.

DESCRIPTION

FIG. 1 is a left side elevational view of the fishing spinning reel embodying our invention;
 FIG. 2 is a front view of the fishing spinning reel as shown in FIG. 1;
 FIG. 3 is a right side elevational view of the fishing spinning reel as shown in FIG. 1;
 FIG. 4 is a rear view of the fishing spinning reel as shown in FIG. 1;
 FIG. 5 is a top plan view of the fishing spinning reel as shown in FIG. 1;
 FIG. 6 is a bottom view of the fishing spinning reel as shown in FIG. 1;
 FIG. 7 is an end perspective view of the fishing spinning reel as shown in FIG. 1; and
 FIG. 8 is a perspective view of the fishing spinning reel as shown in FIG. 1 as seen from the opposite end.

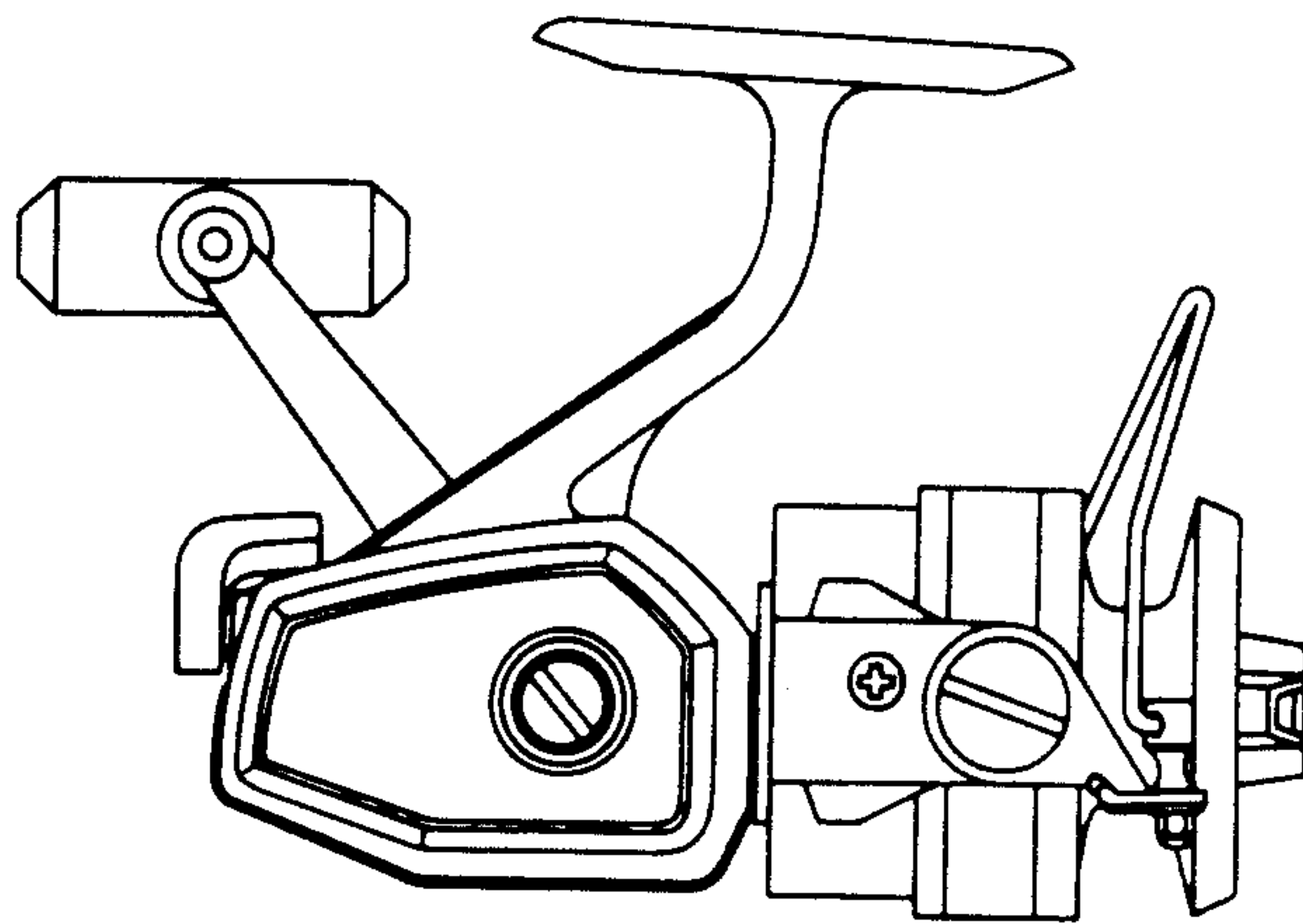


FIG. 1

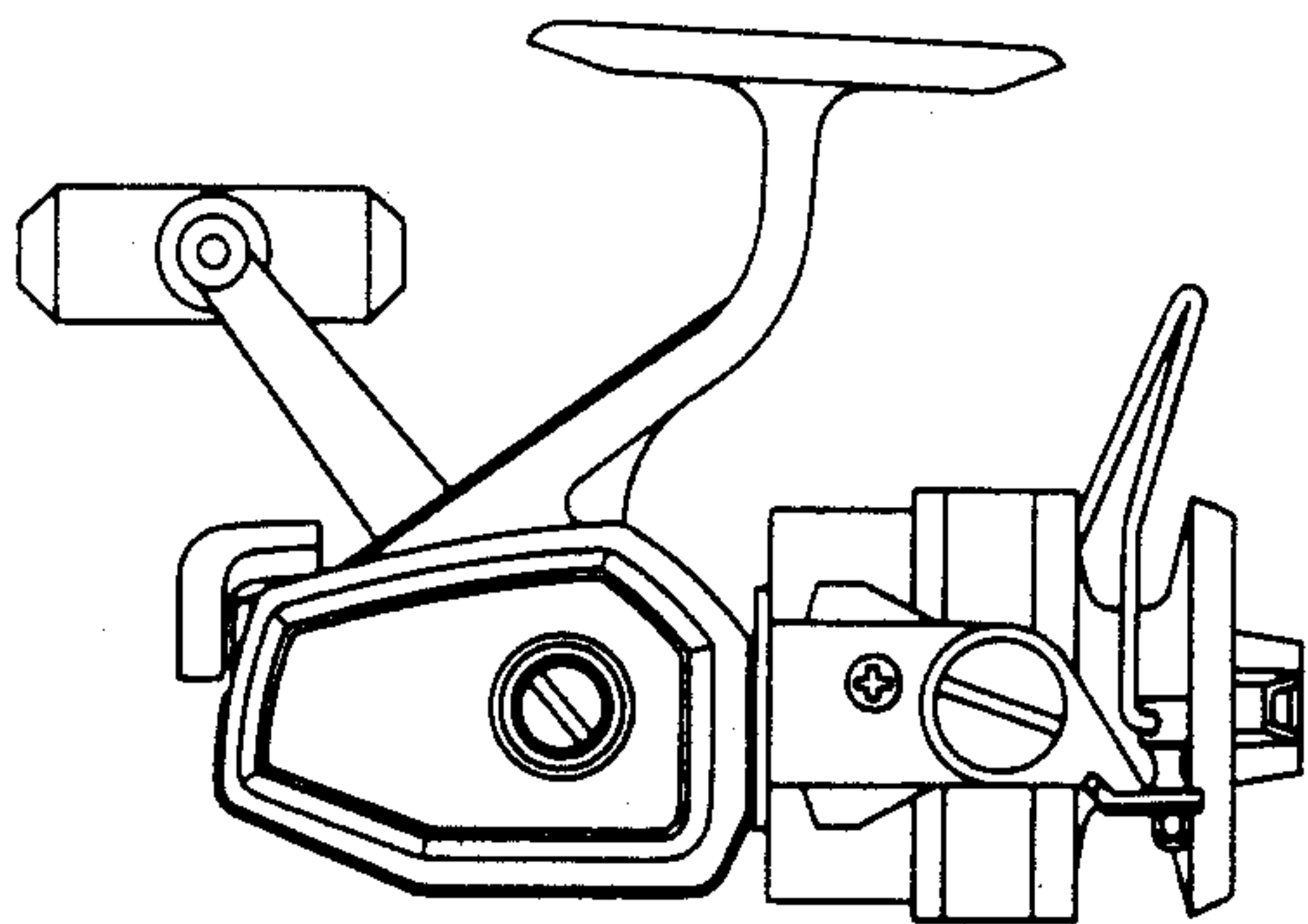


FIG. 2

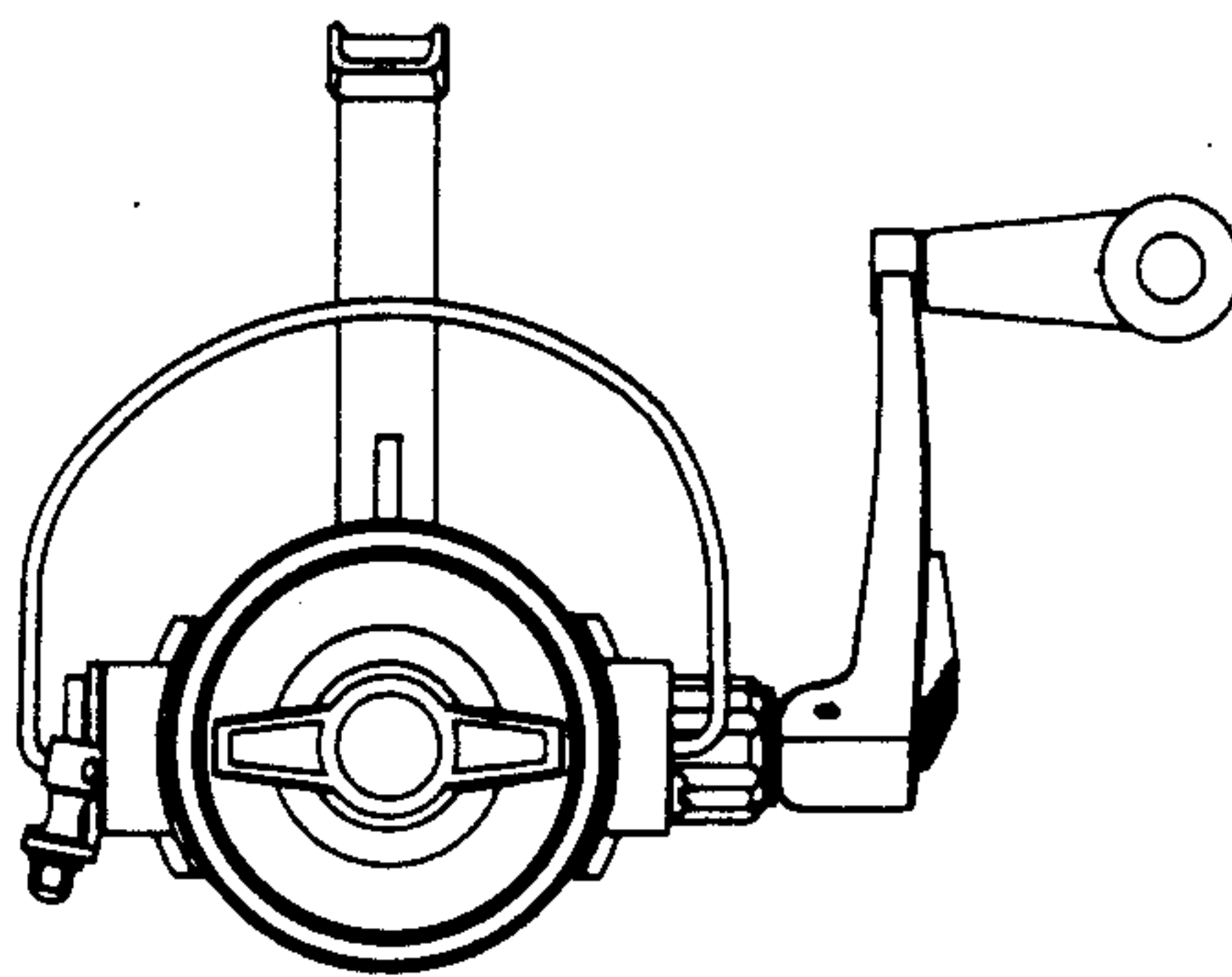


FIG. 3

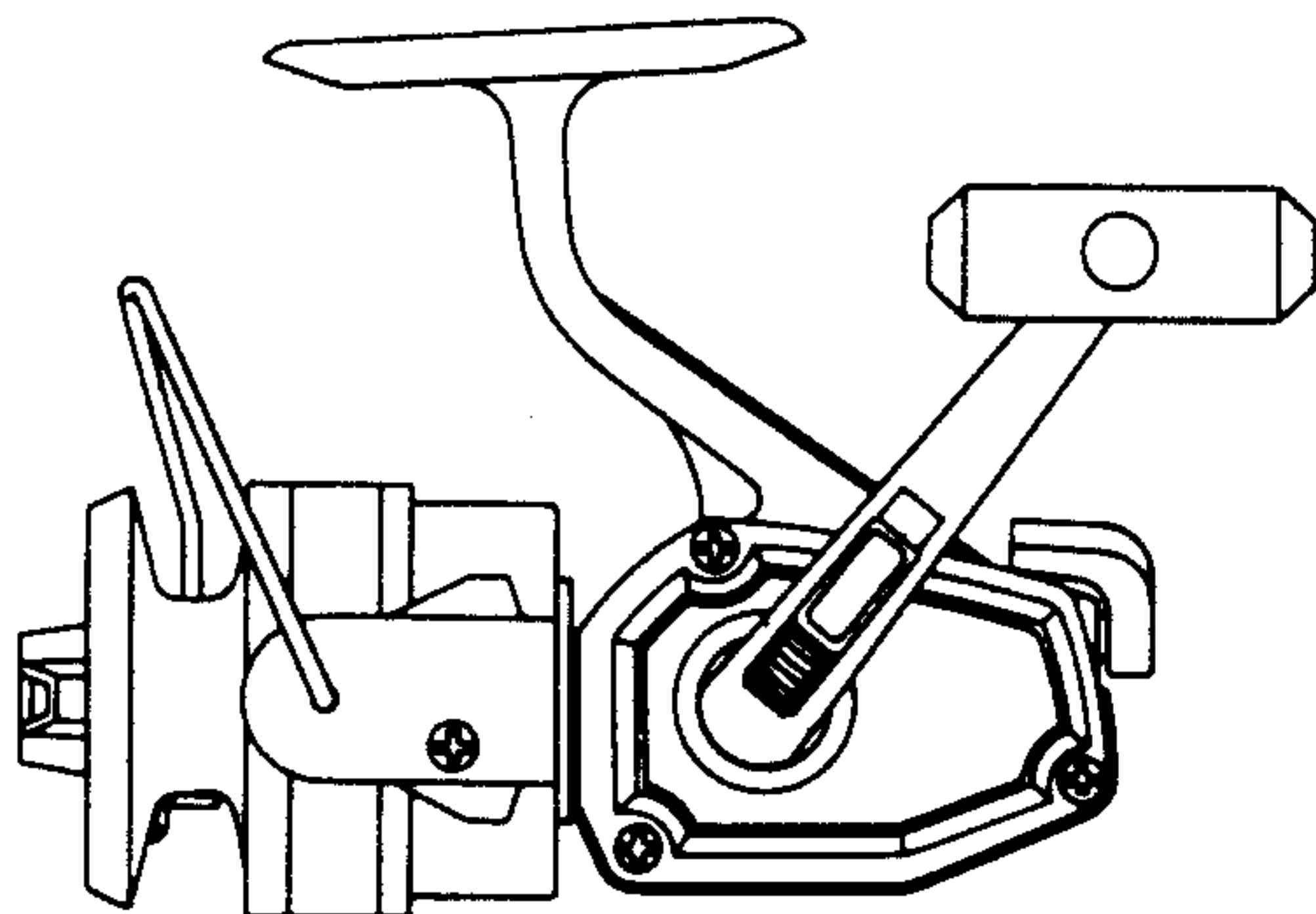


FIG. 4

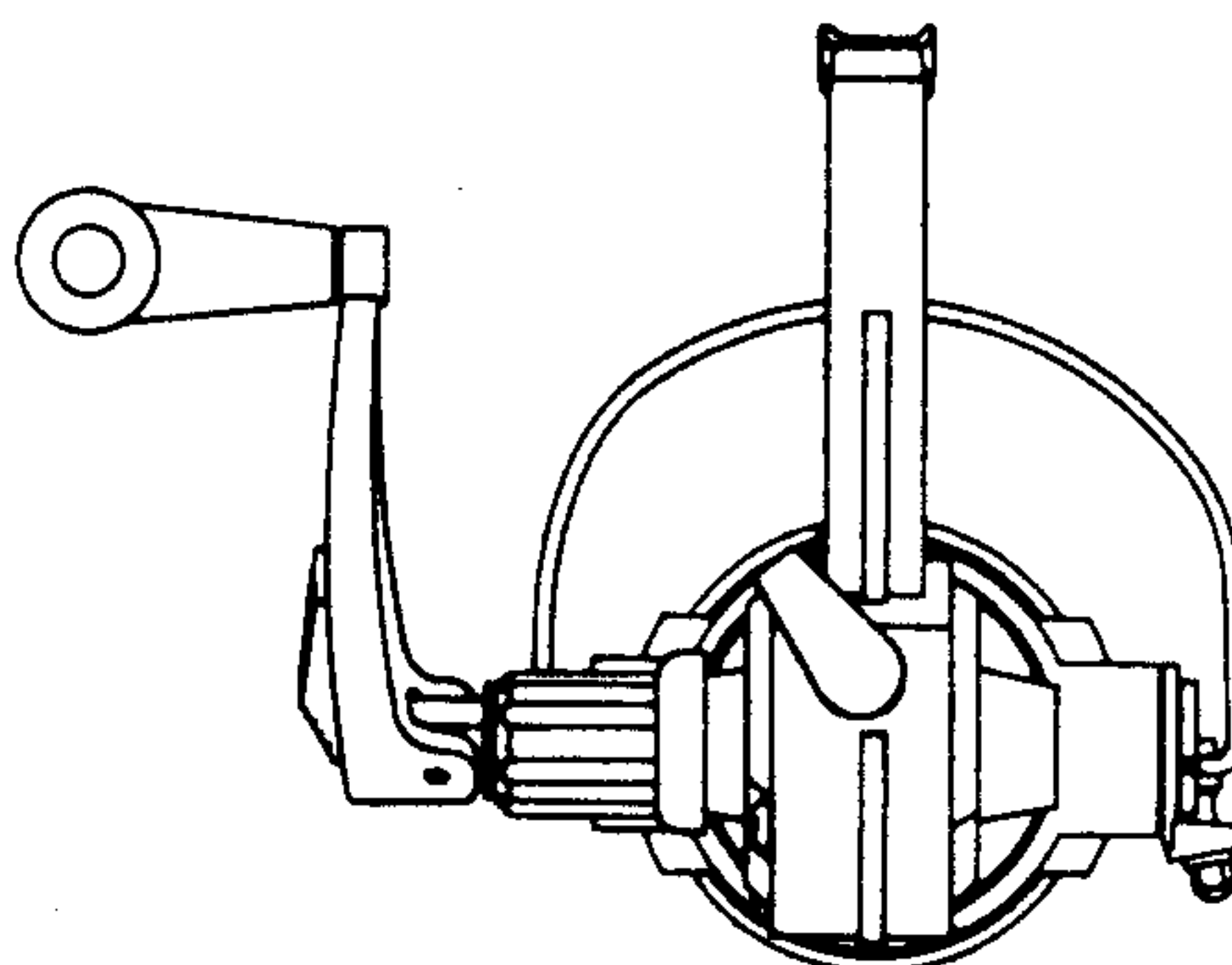


FIG. 5

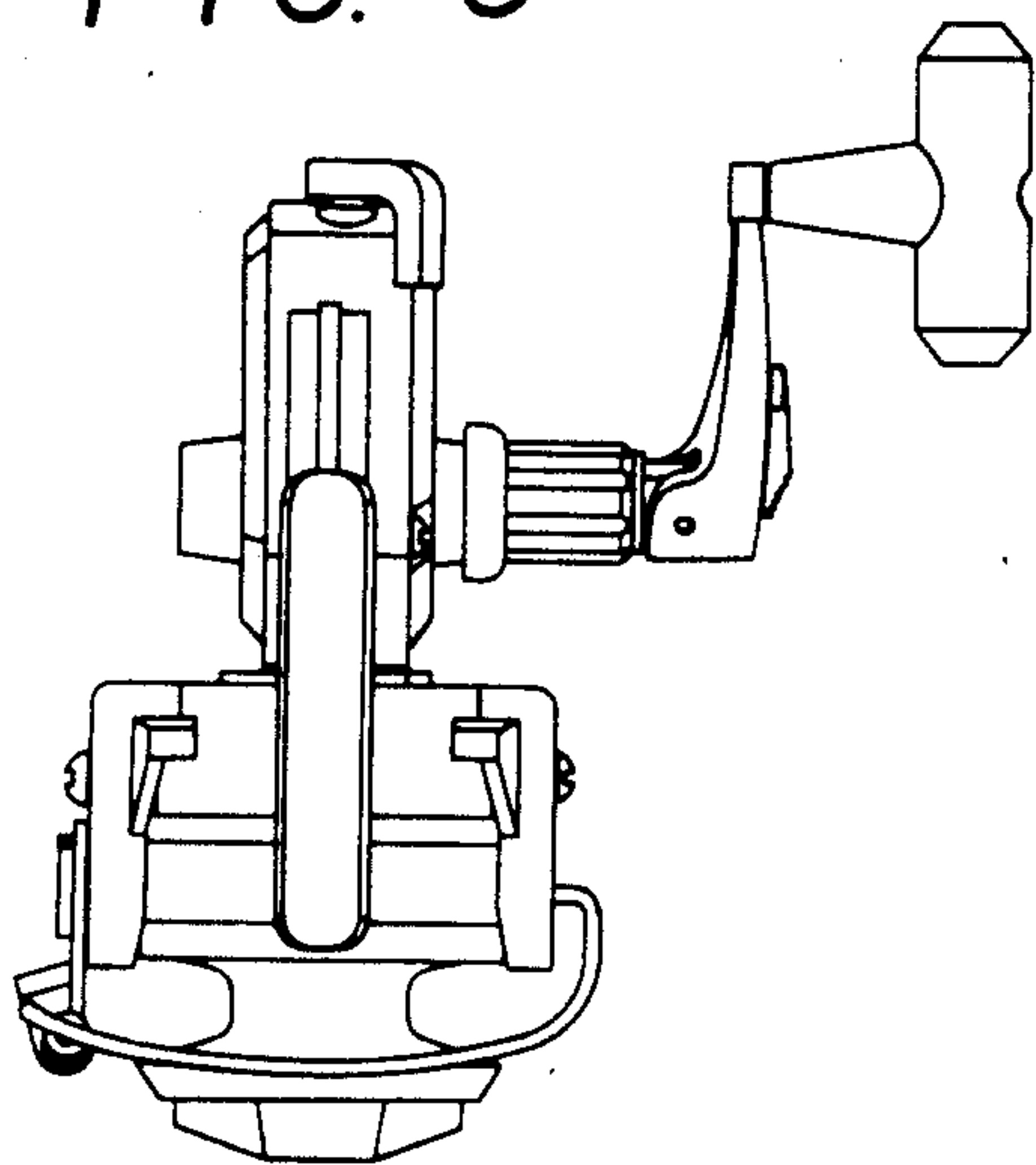


FIG. 6

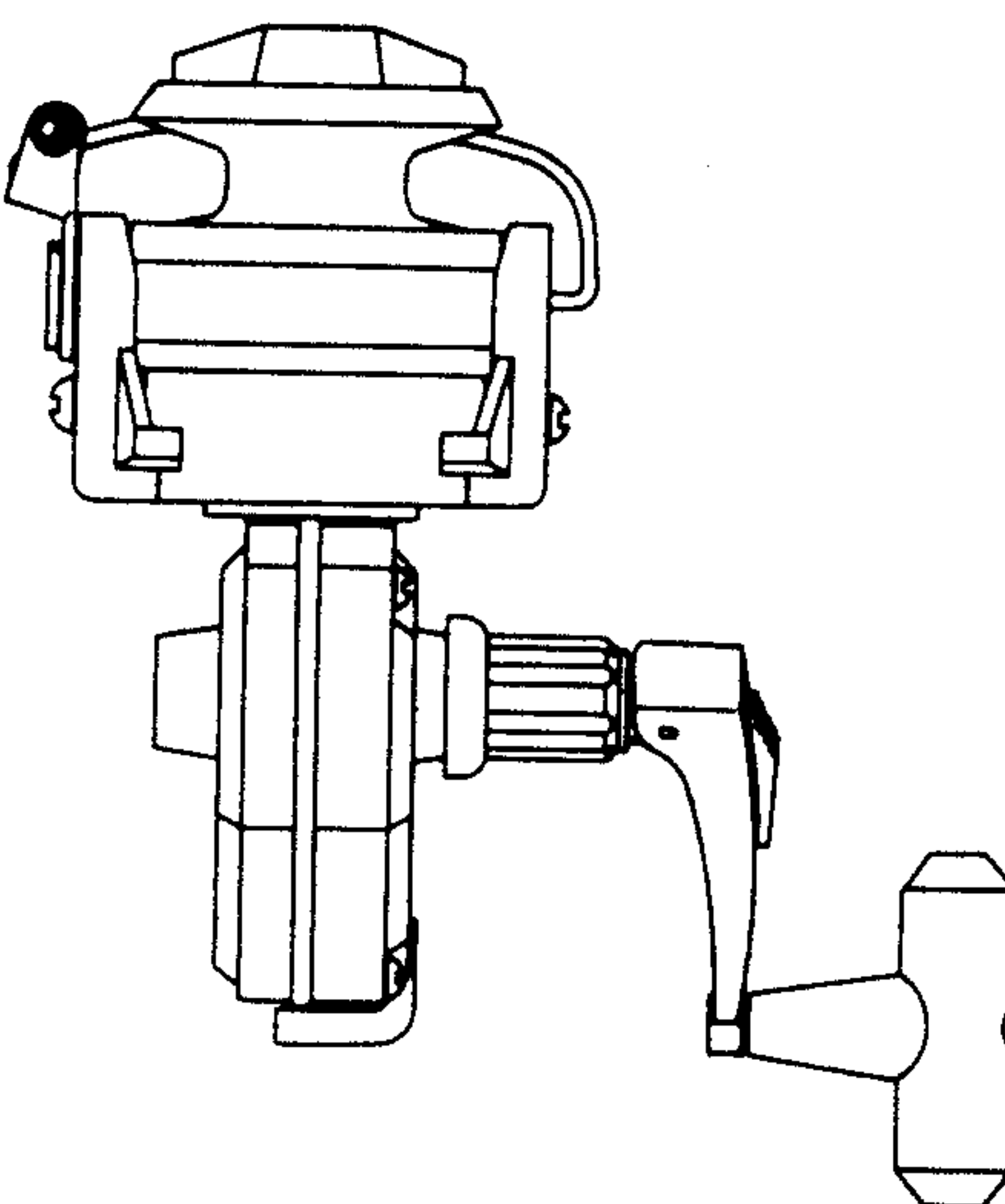


FIG. 7

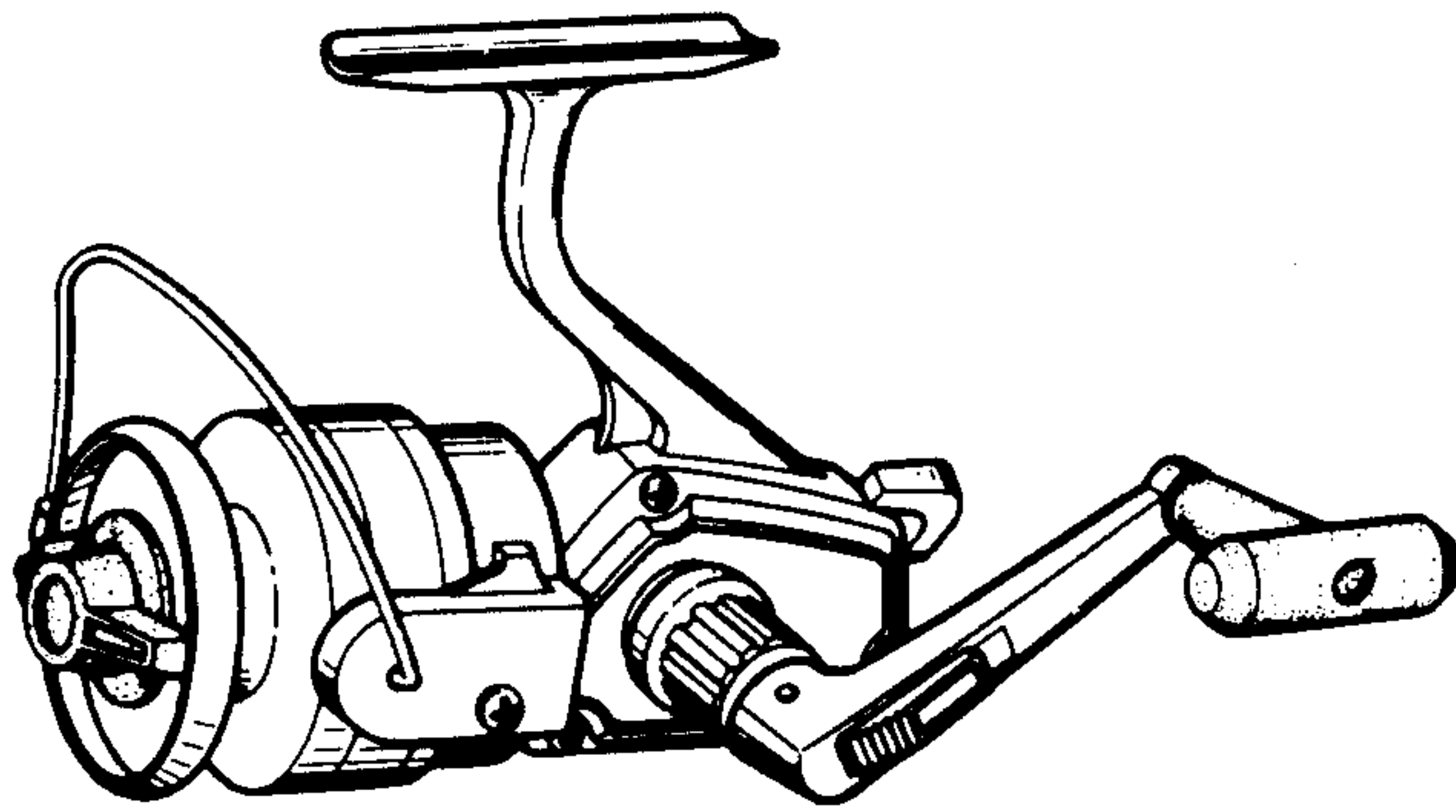


FIG. 8

