

[54] COMBINED TOY SCOOTER AND FIGURE THEREFOR

[75] Inventor: Naoharu Yamashina, Tokyo, Japan

[73] Assignee: Kabushiki Kaisha Bandai Overseas d.b.a. Bandai Overseas Corporation Tokyo, Japan

[**] Term: 14 Years

[21] Appl. No.: 9,057

[22] Filed: Feb. 5, 1979

[30] Foreign Application Priority Data

Aug. 10, 1978 [JP] Japan 53-33919

[51] Int. Cl. D21-01

[52] U.S. Cl. D21/134

[58] Field of Search D21/71, 76, 78, 79, D21/80, 128, 134-136, 137, 140, 150, 166; 46/201, 202, 222, 116, 115, 97, 101, 100

[56] References Cited

U.S. PATENT DOCUMENTS

D. 208,484 9/1967 Wetherell D21/134
D. 233,357 10/1974 Krumholz et al. D21/134

OTHER PUBLICATIONS

Toys, Hobbies & Crafts, 5-1978, p. 49, "Friction Scooters" at top of page.

Primary Examiner—Charles A. Rademaker
Attorney, Agent, or Firm—J. Harold Nissen

[57] CLAIM

The ornamental design for a combined toy scooter and figure therefor, as shown and described.

DESCRIPTION

FIG. 1 is a right side elevational view of a combined toy scooter and figure therefor showing my new design; FIG. 2 is a front elevational view thereof; FIG. 3 is a rear elevational view thereof; FIG. 4 is a left side elevational view thereof; FIG. 5 is a top plan view thereof; and, FIG. 6 is a bottom plan view thereof.

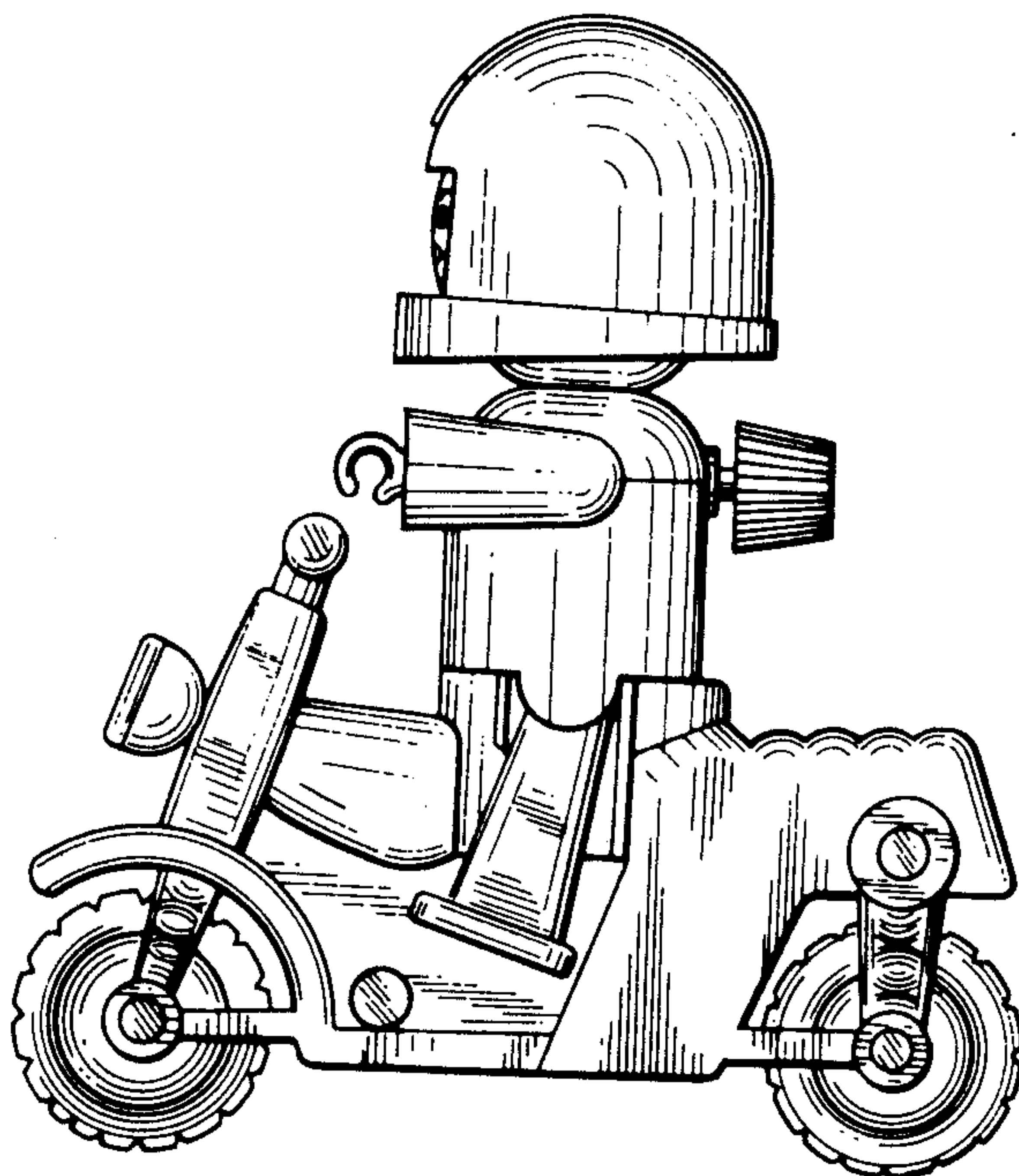


FIG.1

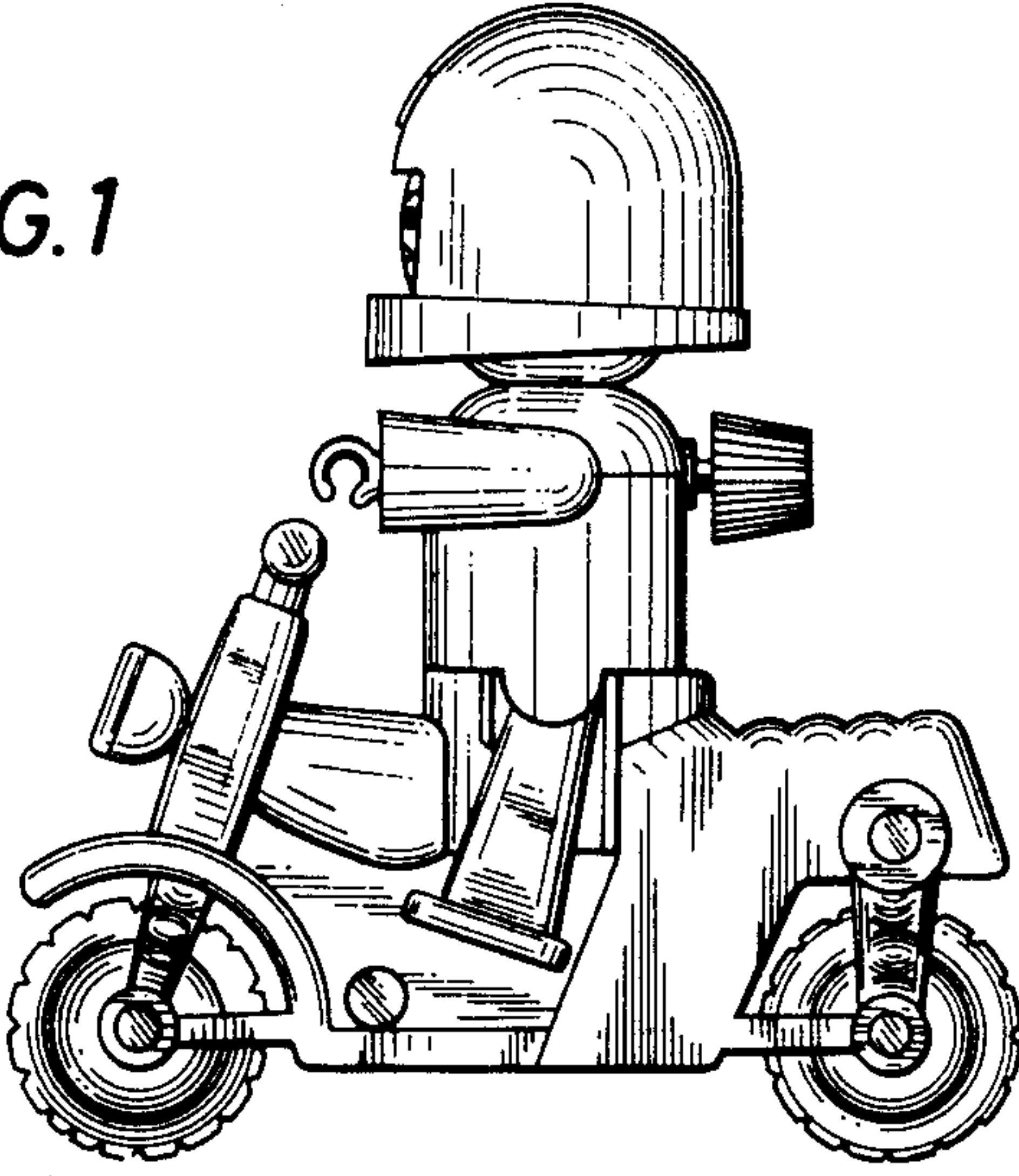


FIG.2

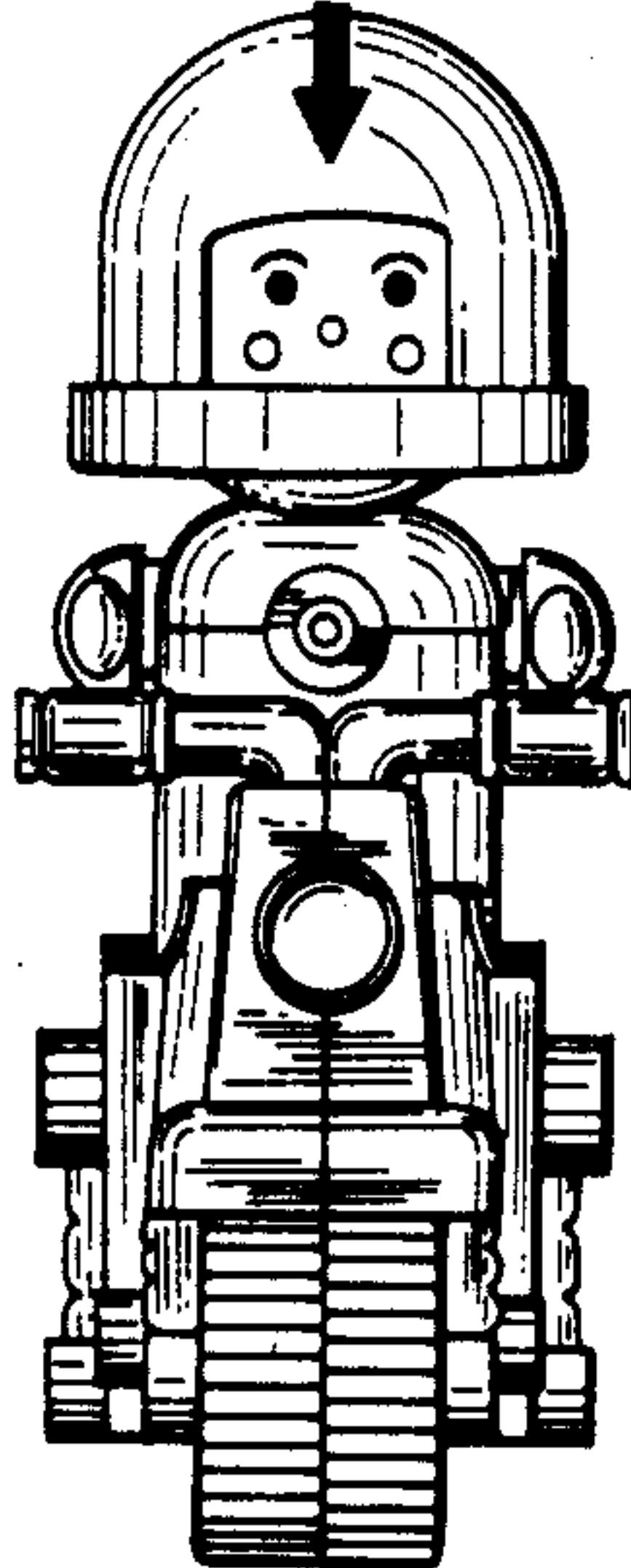


FIG.3

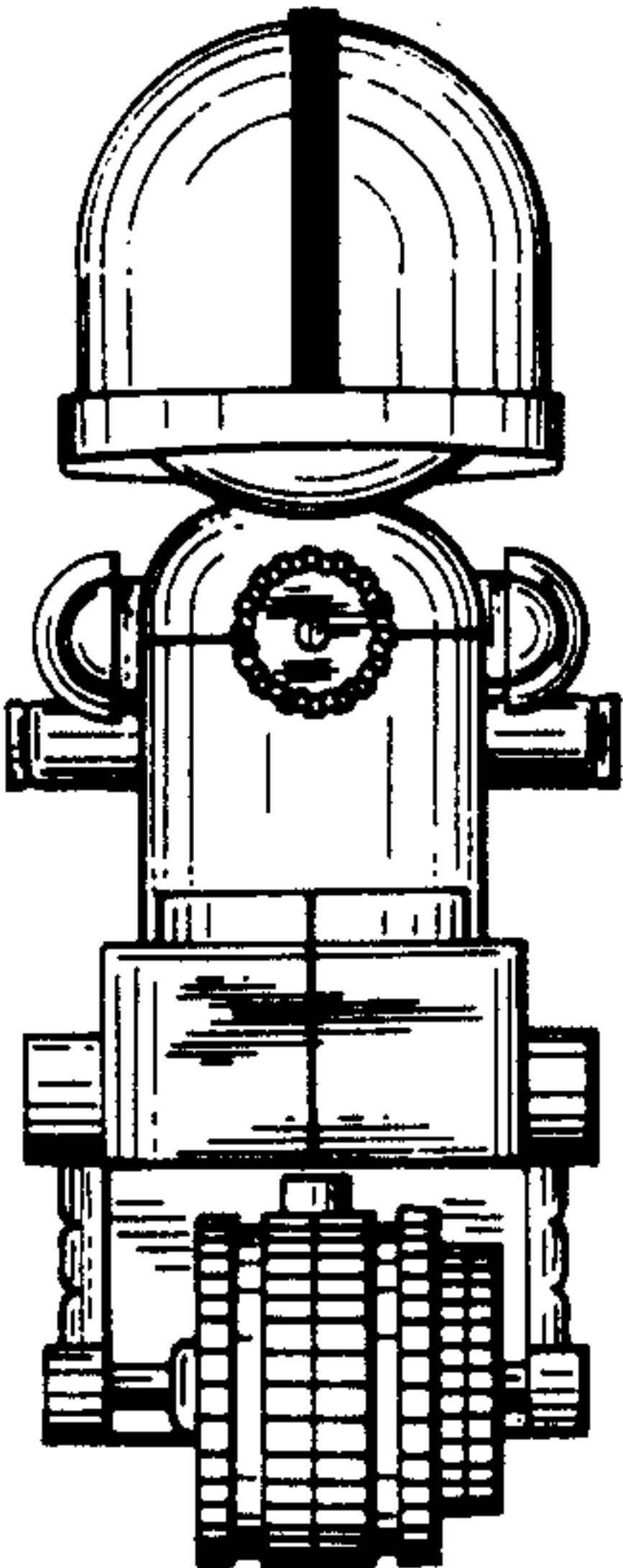


FIG. 4

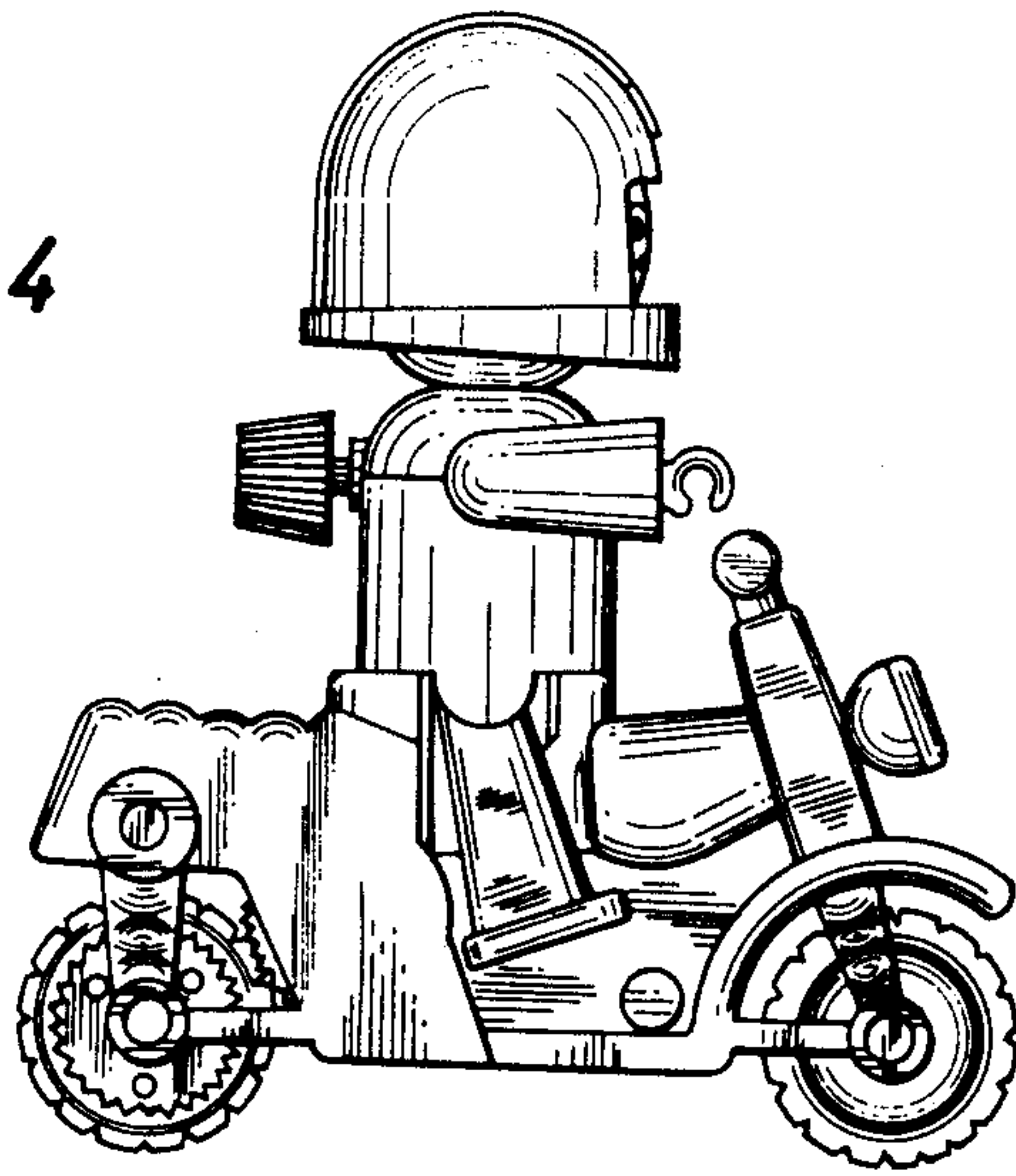


FIG. 5

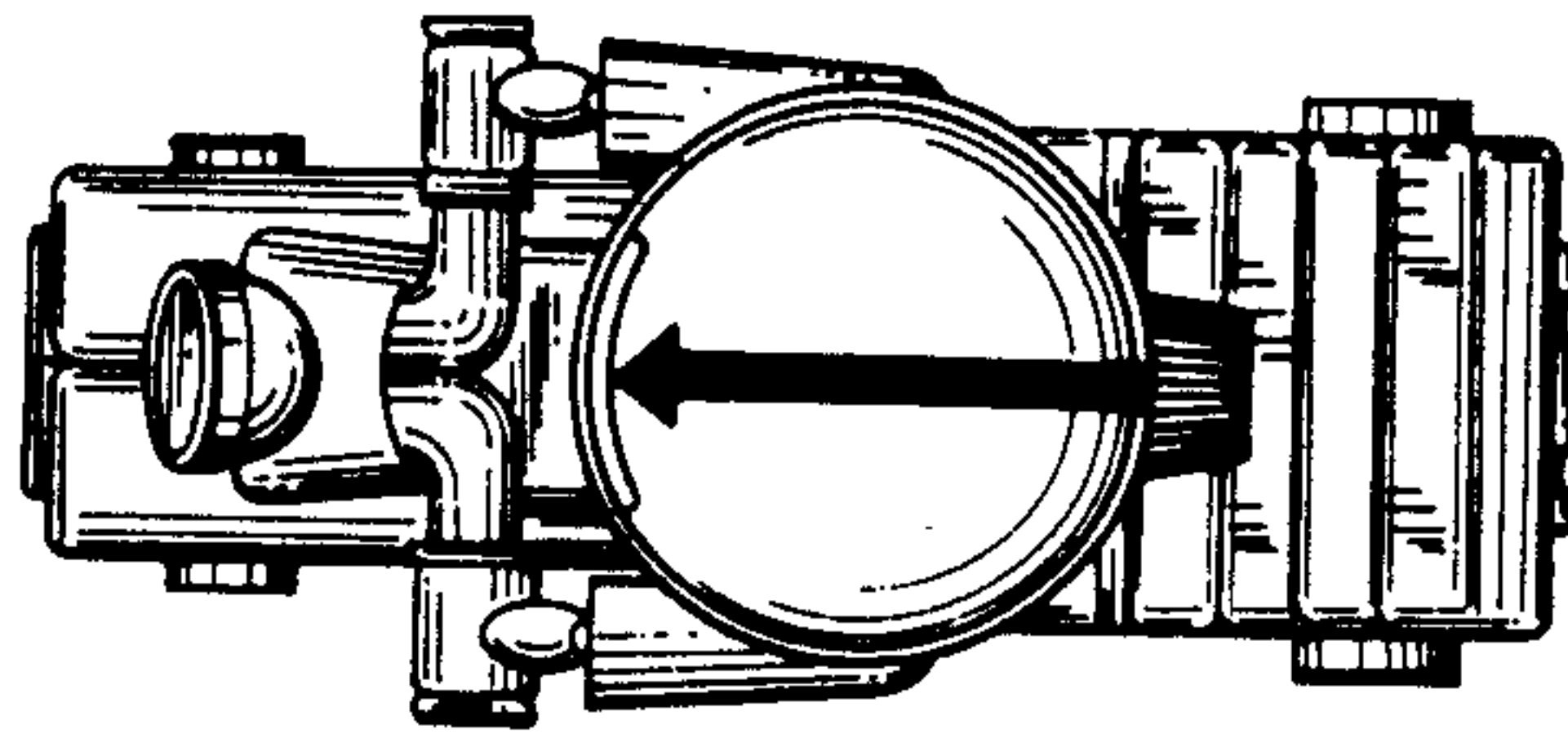


FIG. 6

