

[54] PALLET

3,640,229 2/1972 Bell 108/51.1

[75] Inventors: William H. Wilson, Fort Smith, Ark.;
Joy D. Cole, Muskogee, Okla.

FOREIGN PATENT DOCUMENTS

2039363 1/1971 France 108/51

[73] Assignee: Cole Grain Company, Muskogee,
Okla.

Primary Examiner—James M. Gandy
Attorney, Agent, or Firm—William S. Dorman

[**] Term: 14 Years

[57] CLAIM

[21] Appl. No.: 966,961

The ornamental design for a pallet, substantially as
shown and described.

[22] Filed: Dec. 6, 1978

[51] Int. Cl. D9-08

[52] U.S. Cl. D12/53

[58] Field of Search D12/53; 108/51.1, 52.1,
108/53.1, 53.3, 55.3

[56] References Cited

U.S. PATENT DOCUMENTS

D. 225,397 12/1972 Lindley et al. D12/53
3,606,844 9/1971 Lubker et al. 108/51.1

DESCRIPTION

FIG. 1 is a top plan view of a pallet showing our new
design;

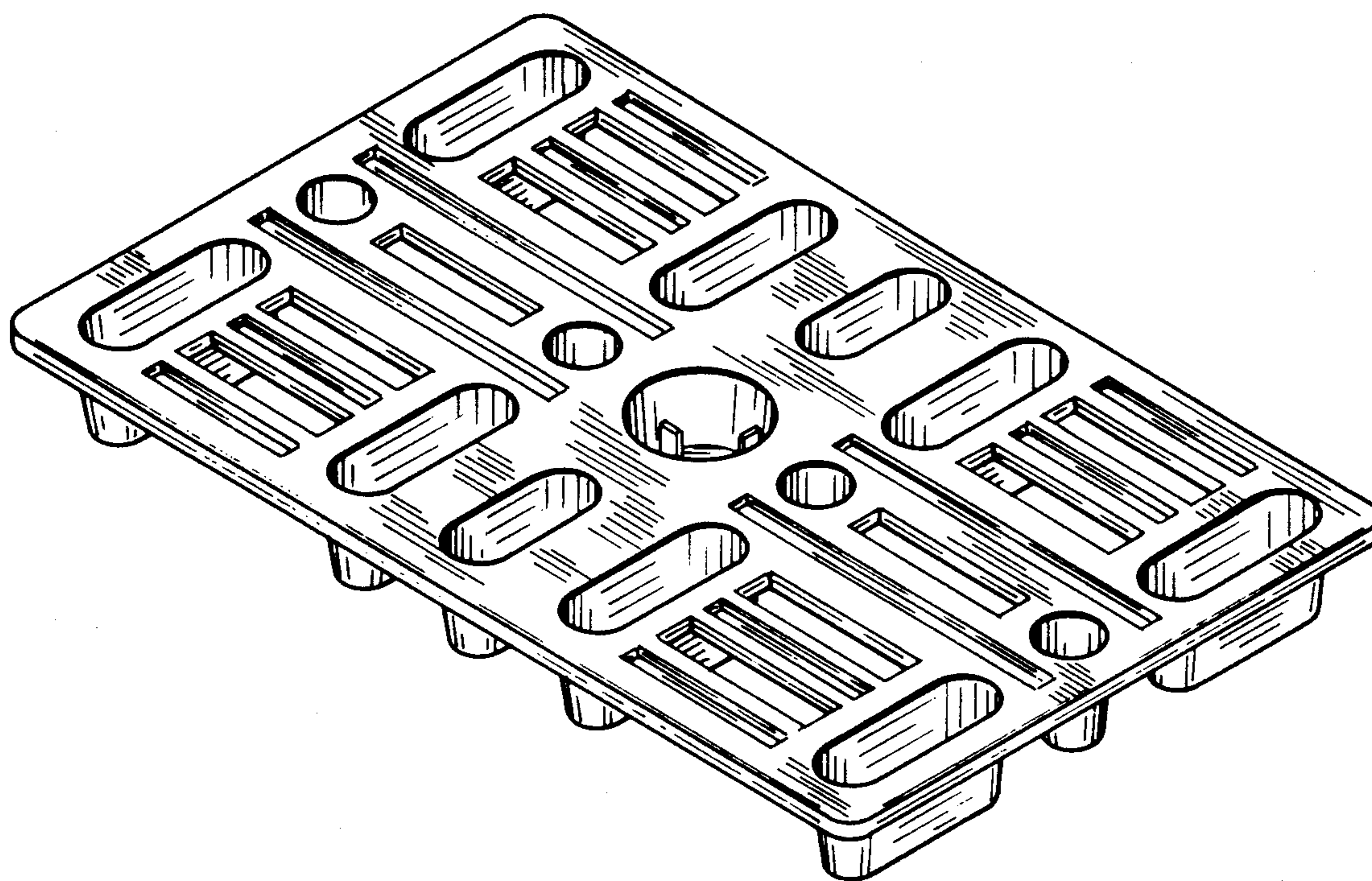
FIG. 2 is a bottom plan view thereof;

FIG. 3 is a perspective view thereof;

FIG. 4 is an end elevation view thereof; and

FIG. 5 is a side elevation view thereof.

The side and end not shown are the same as those which
are shown.



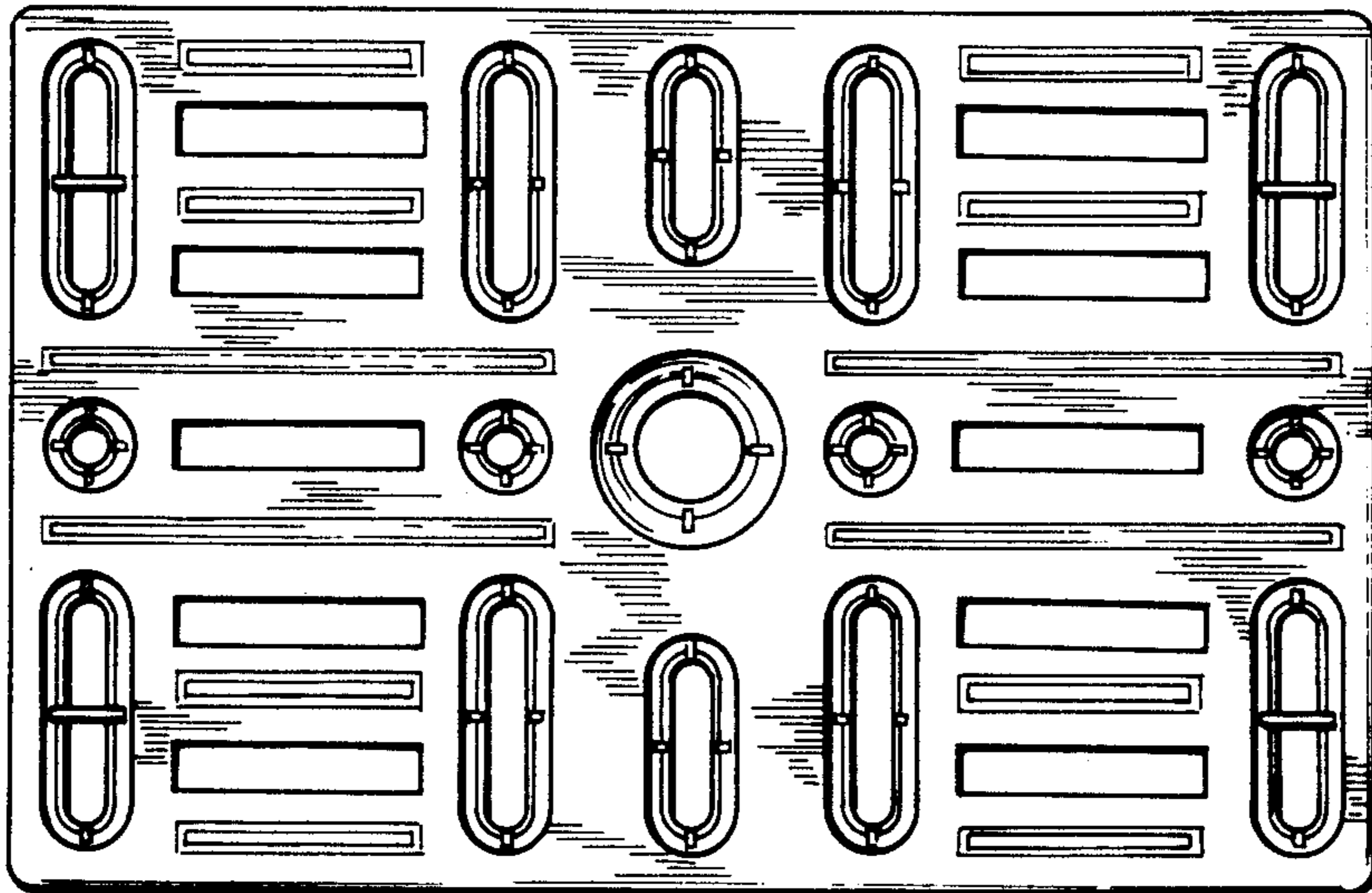


Fig. 1

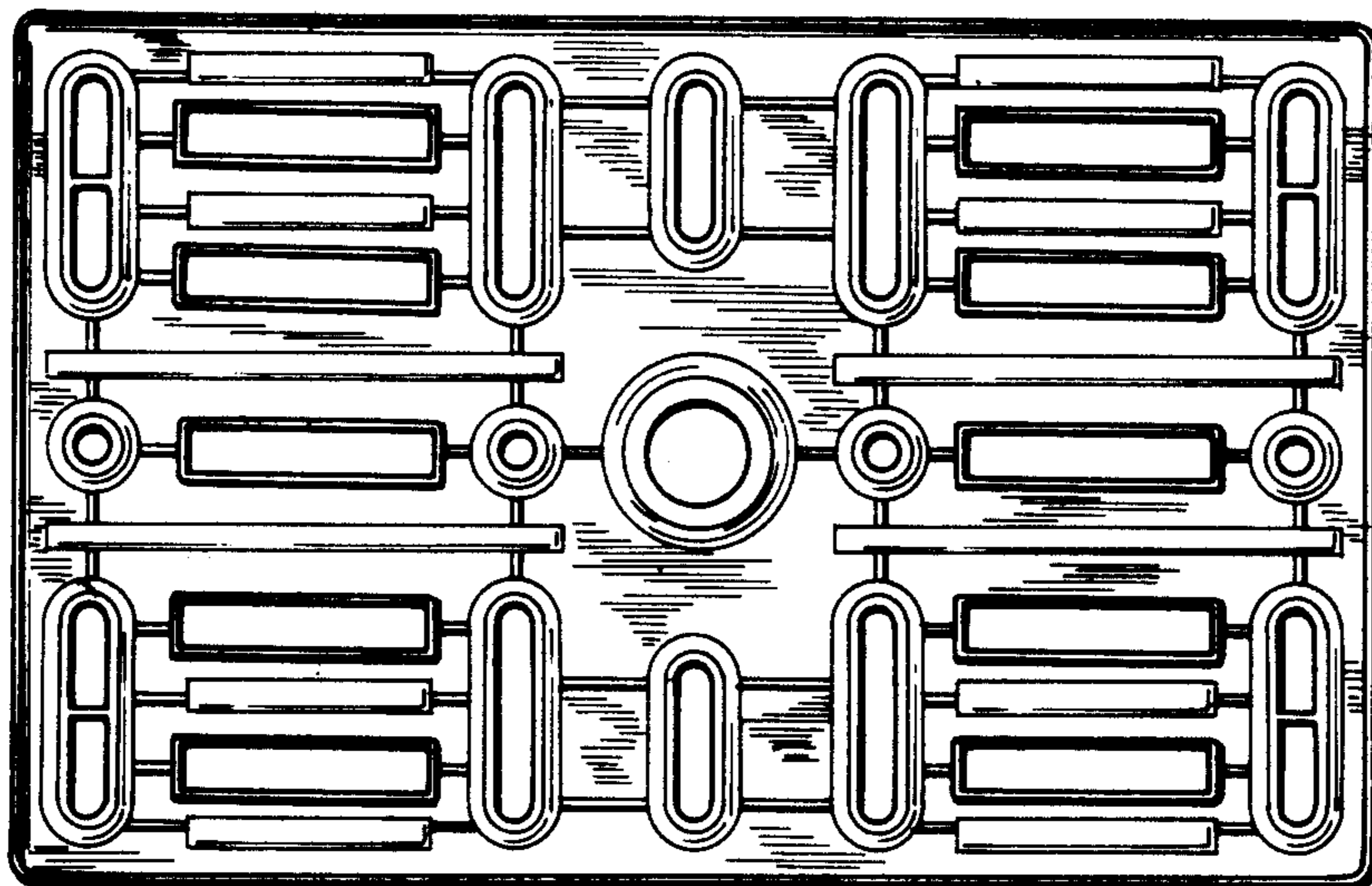


Fig. 2

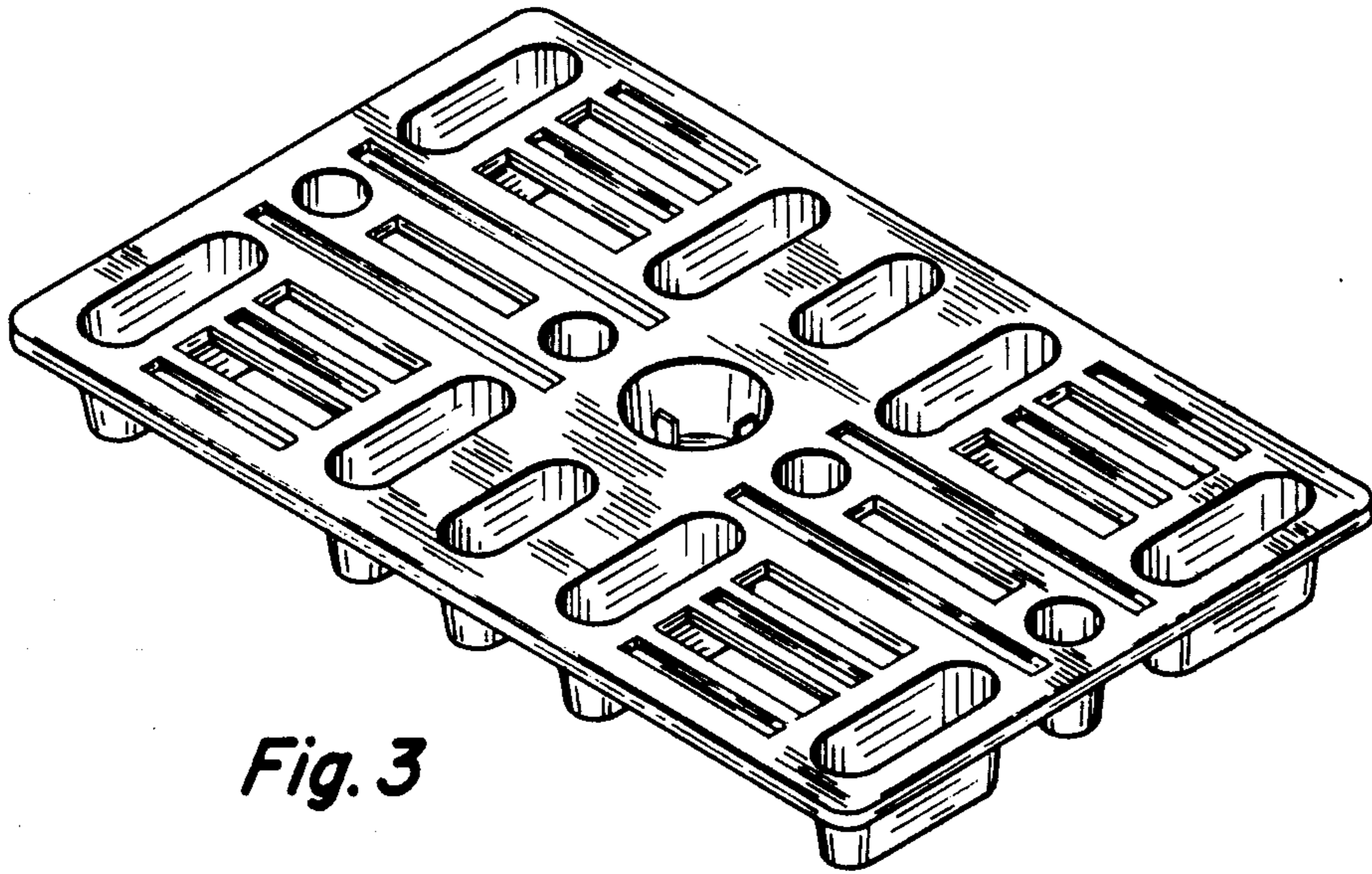


Fig. 3



Fig. 4



Fig. 5