

[54] LUNCH BOX CARTON

4,193,535 3/1980 Griffith ..... 229/52 B

[75] Inventor: John J. Austin, Jr., Hinsdale, Ill.

OTHER PUBLICATIONS

[73] Assignee: Champion International Corporation, Stamford, Conn.

American Can Company flyer, food cartons.

[\*\*] Term: 14 Years

Primary Examiner—Robert C. Spangler  
Attorney, Agent, or Firm—Evelyn M. Sommer

[21] Appl. No.: 8,684

[57] CLAIM

[22] Filed: Feb. 1, 1979

The ornamental design for a lunch box carton, as shown and described.

[51] Int. Cl. .... D9-03

[52] U.S. Cl. .... D9/431; D9/421

[58] Field of Search ..... 229/8, 6 R, 41 R, 52 R,  
229/52 B; D9/180, 225, 38, 52, 53; D7/76, 77;  
D3/73

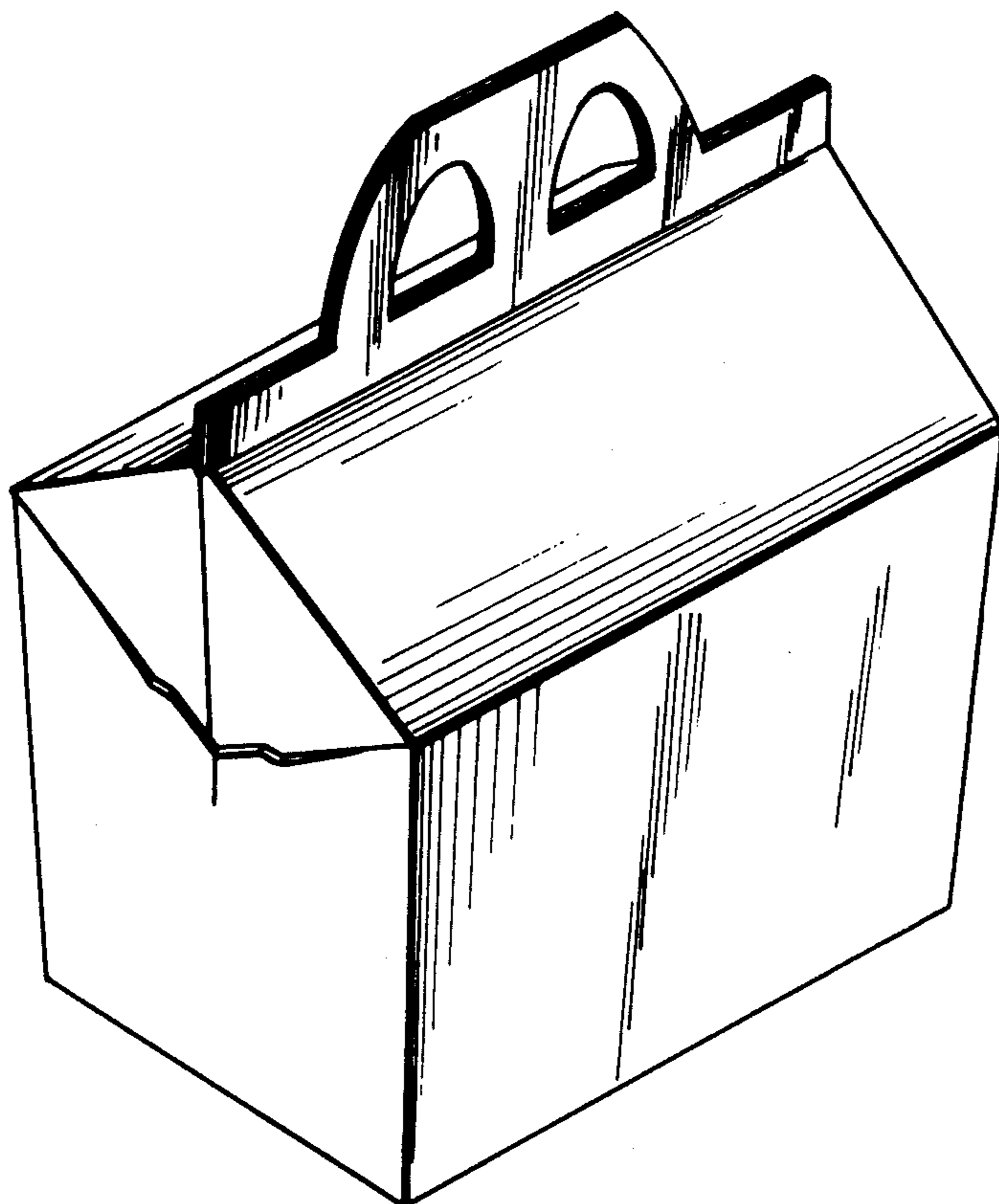
DESCRIPTION

FIG. 1 is a perspective view of a lunch box carton showing my new design;  
FIG. 2 is a top plan view;  
FIG. 3 is a side elevational view, the opposite side being the same in appearance;  
FIG. 4 is an end elevational view, the opposite end being the same in appearance; and  
FIG. 5 is a bottom plan view thereof.

[56] References Cited

U.S. PATENT DOCUMENTS

- D. 200,500 3/1965 Schroeder ..... D9/180
- D. 219,084 10/1970 Moore ..... D3/76



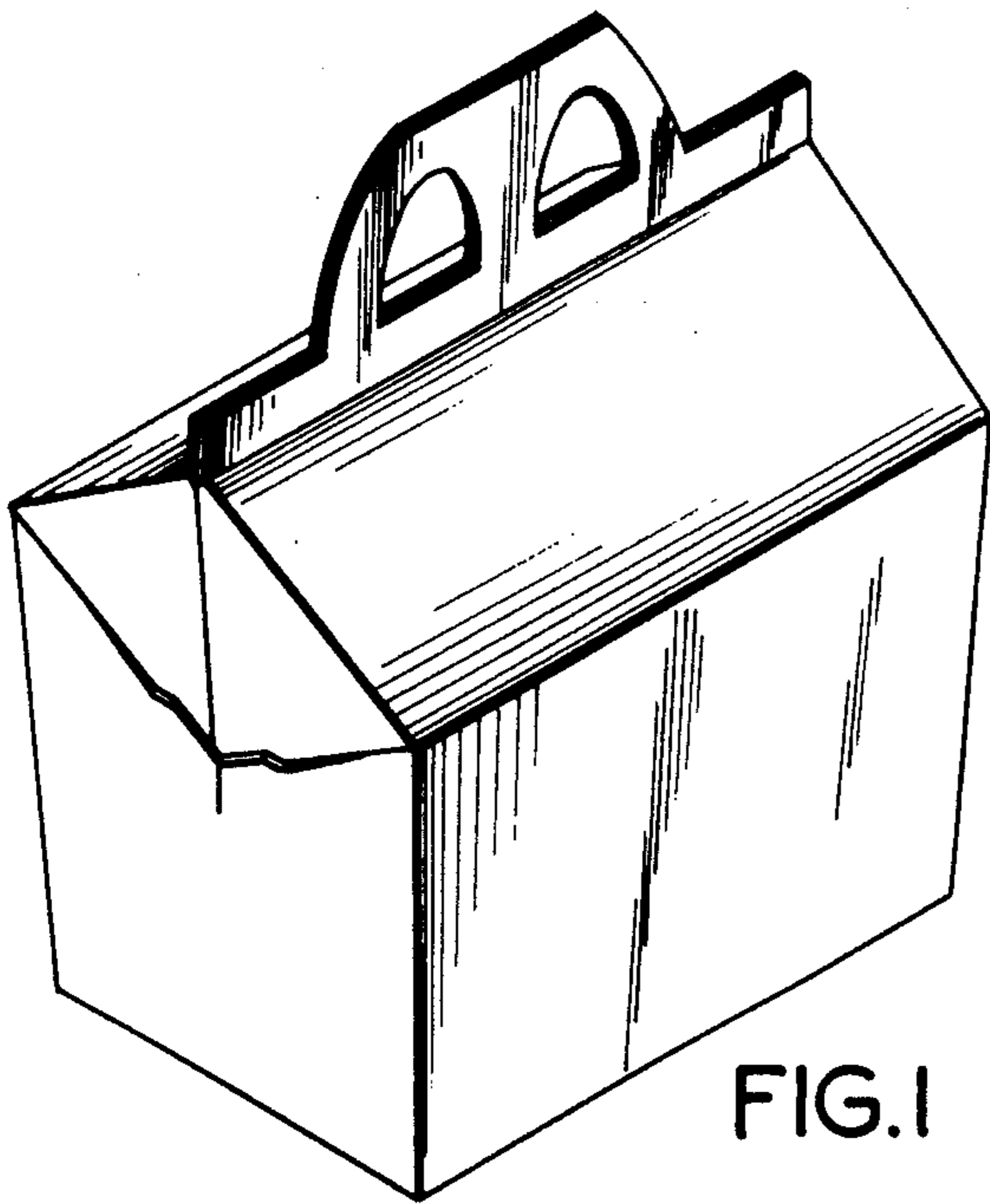


FIG. 1

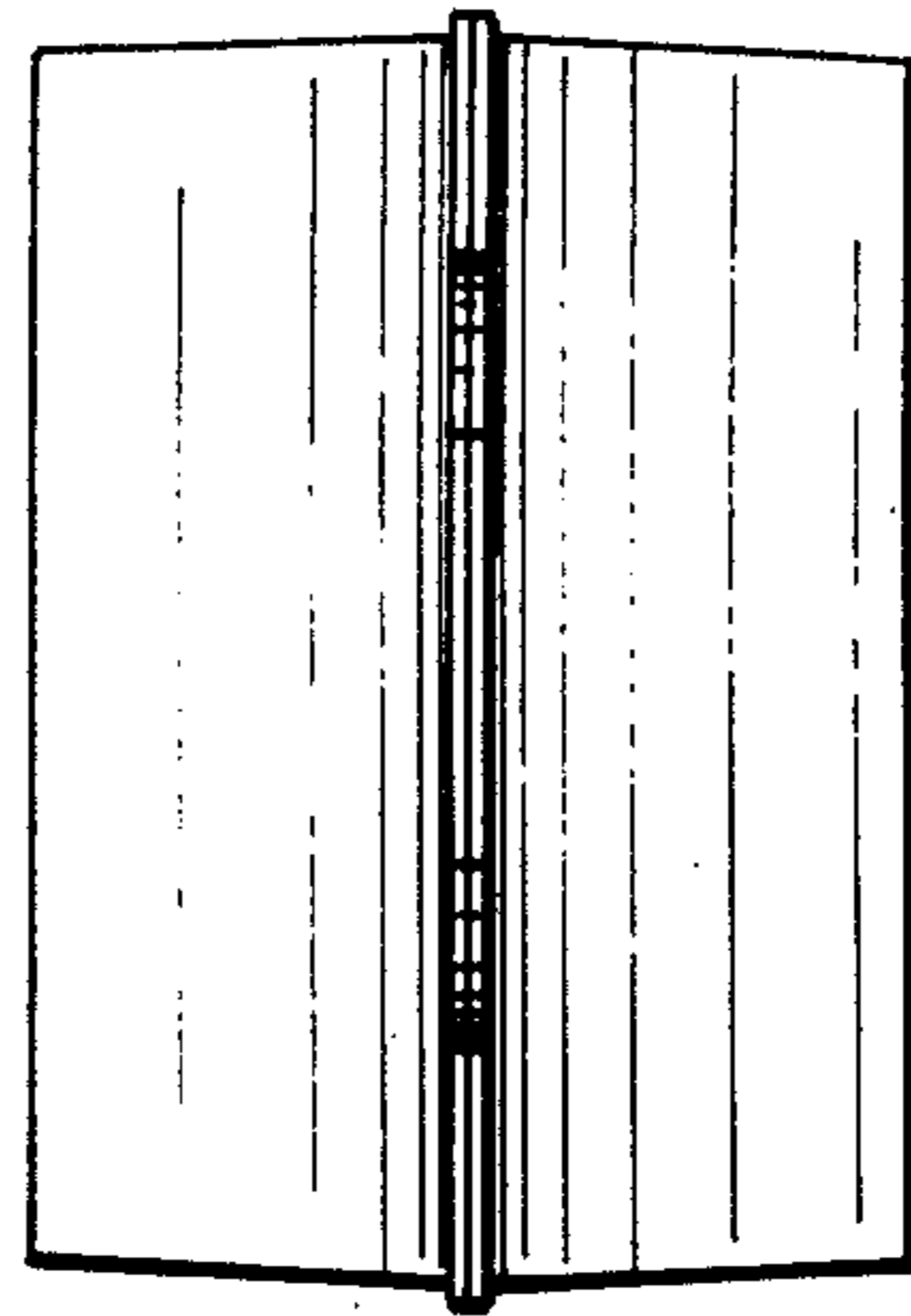


FIG. 2

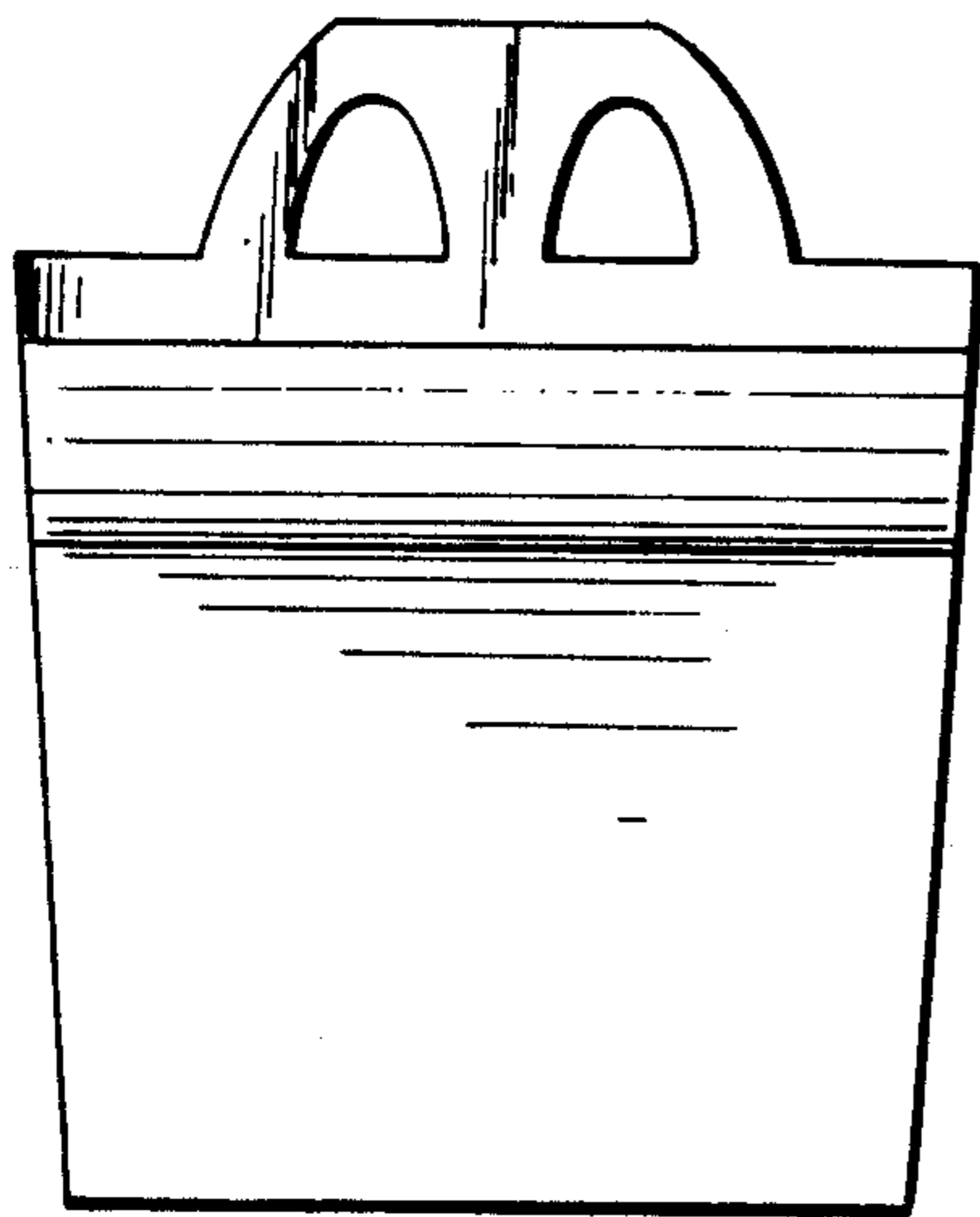


FIG. 3

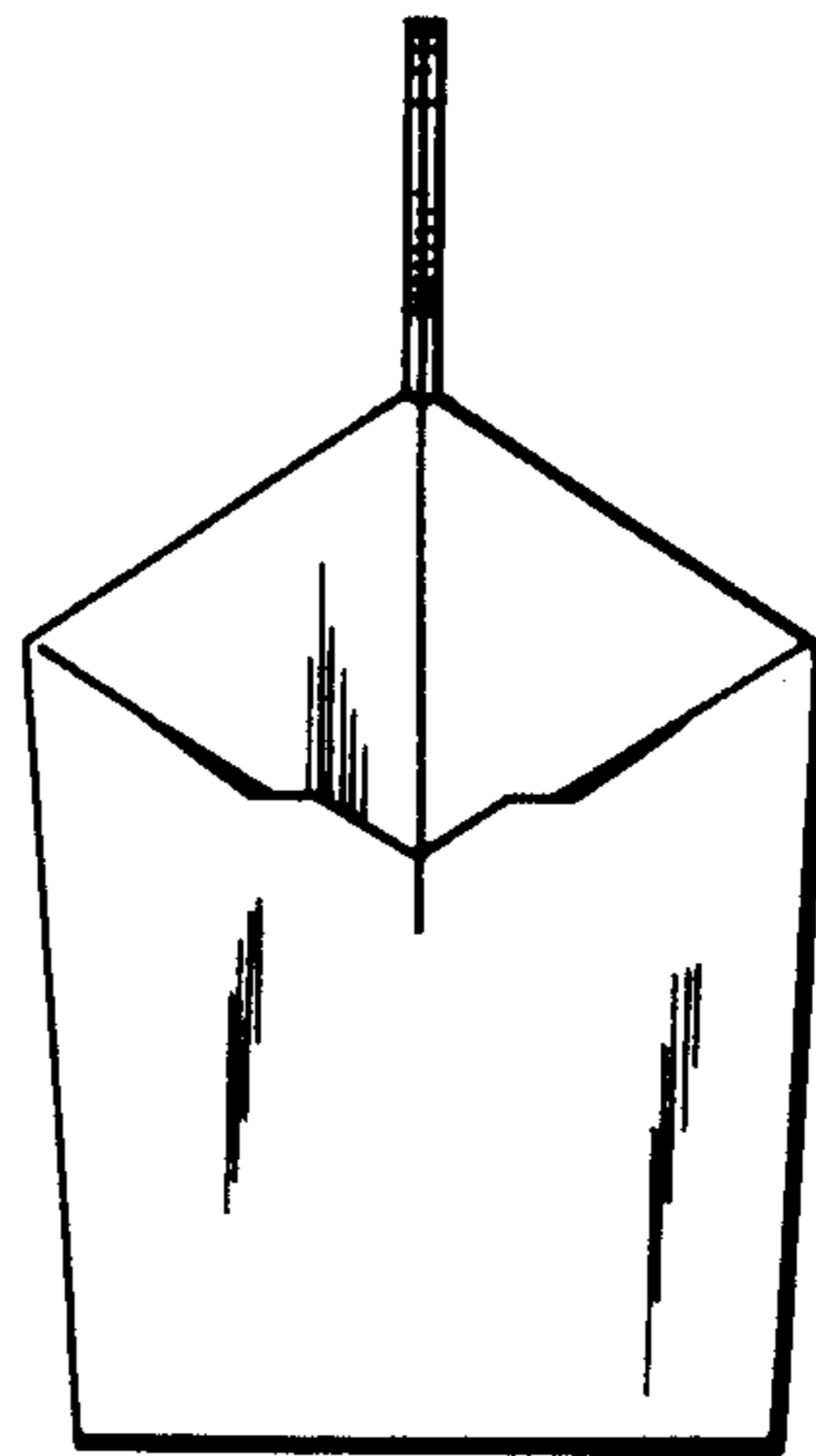


FIG. 4

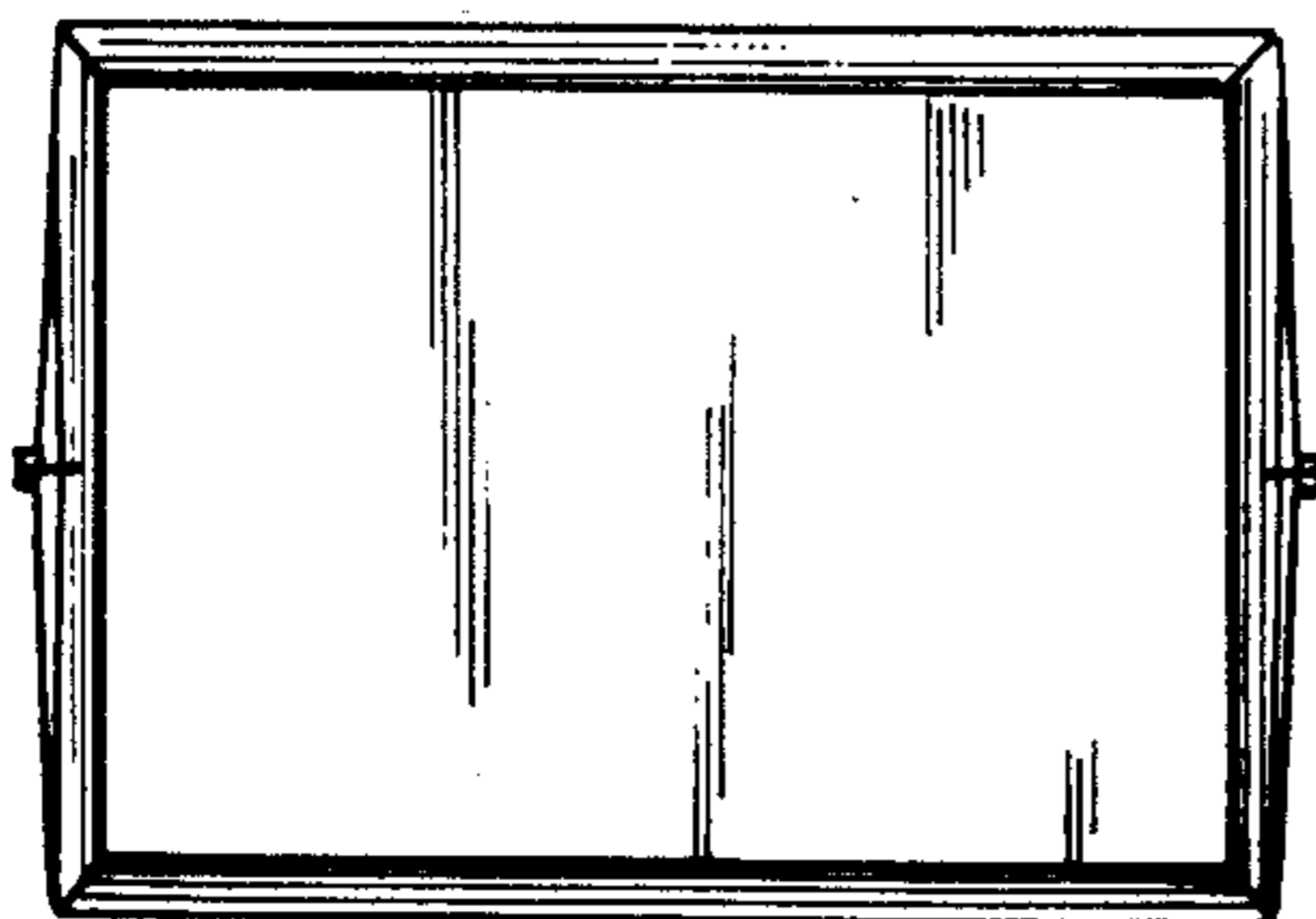


FIG. 5