

[54] COLOGNE BOTTLE

[75] Inventor: **Ralph Lauren**, New York, N.Y.

[73] Assignee: **Warner/Lauren Ltd.**, New York, N.Y.

[**] Term: **14 Years**

[21] Appl. No.: **923,413**

[22] Filed: **Jul. 10, 1978**

[51] Int. Cl. **D9-01**

[52] U.S. Cl. **D9/401**

[58] Field of Search **D9/59, 62, 71, 167, D9/168; 215/1 R, 1 C**

[56] **References Cited**

U.S. PATENT DOCUMENTS

D. 149,504 5/1948 Levy D9/62

OTHER PUBLICATIONS

Drug and Cosmetic Industry, Nov. 1974, p. 79, Rectangular Bottle at bottom center of page.

Primary Examiner—Robert C. Spangler
Attorney, Agent, or Firm—Ladas & Parry

[57] **CLAIM**

The ornamental design for a cologne bottle, as shown and described.

DESCRIPTION

FIG. 1 is a frontal perspective view of a cologne bottle showing my new design;

FIG. 2 is a side elevational view thereof, the front, rear and both sides thereof being identical thereto;

FIG. 3 is a top plan view thereof;

FIG. 4 is a bottom plan view thereof; and

FIG. 5 is a cross sectional view taken along the plane of line 5-5 in FIG. 2.

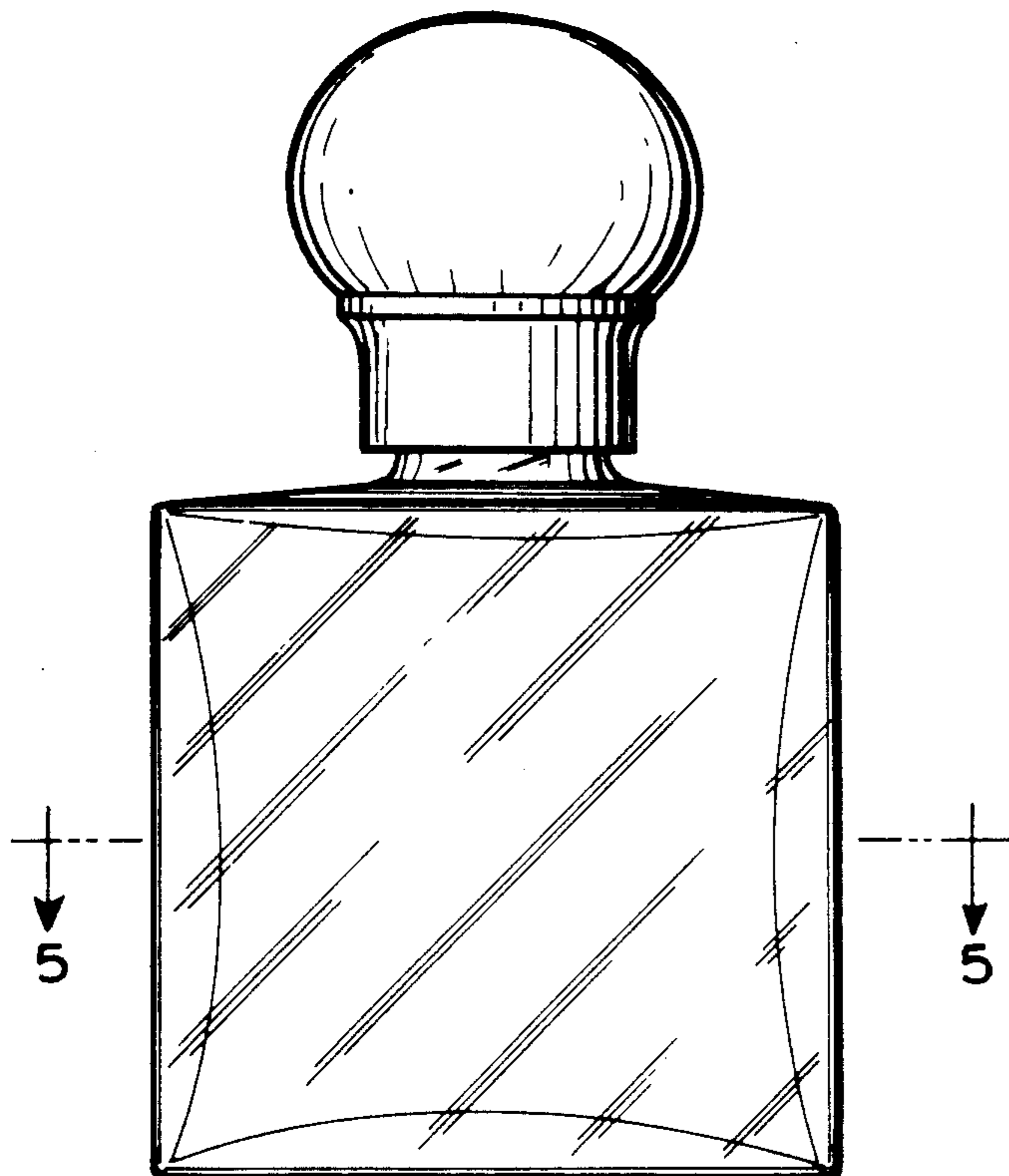


Fig. 1

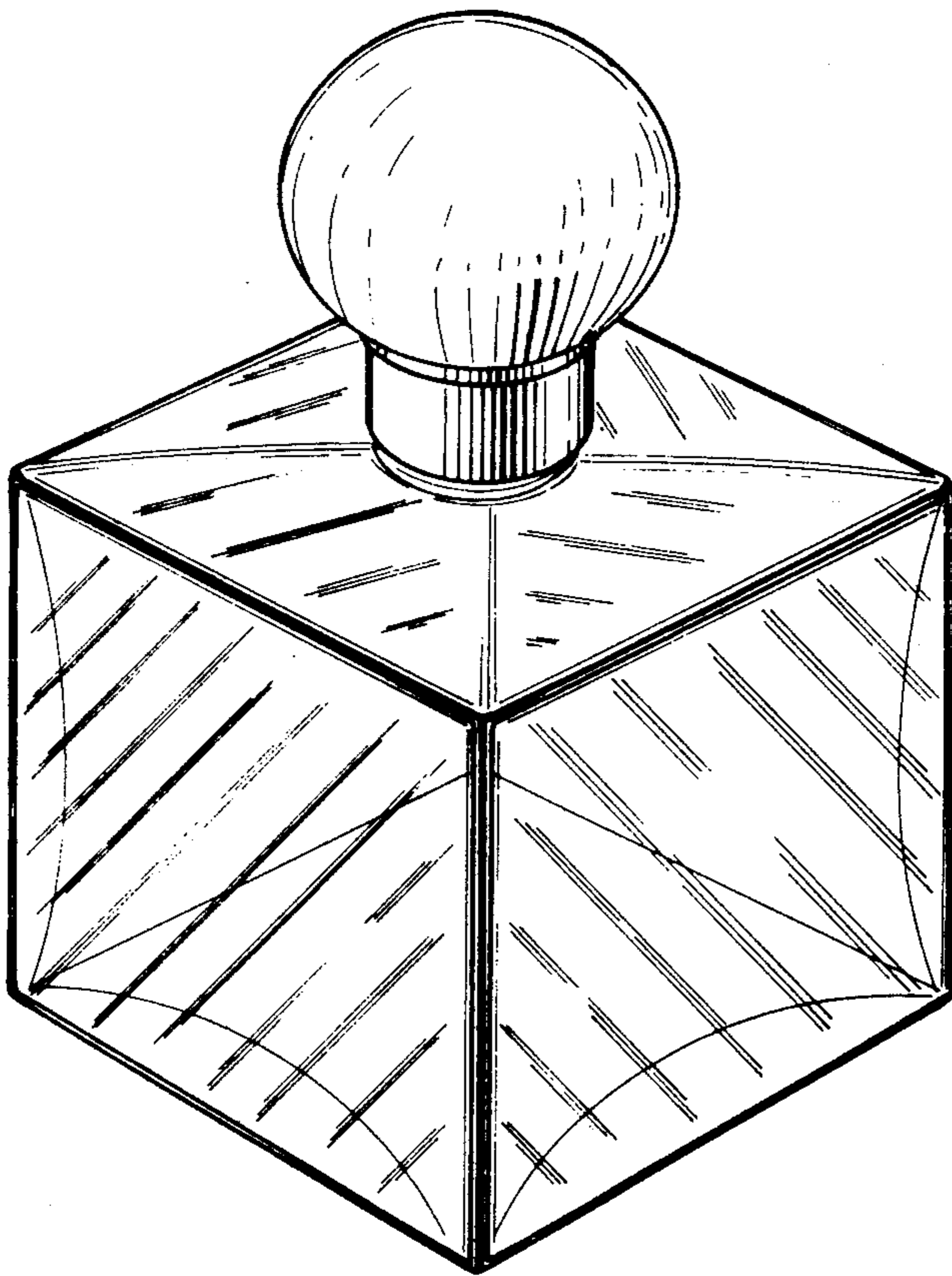


Fig. 2

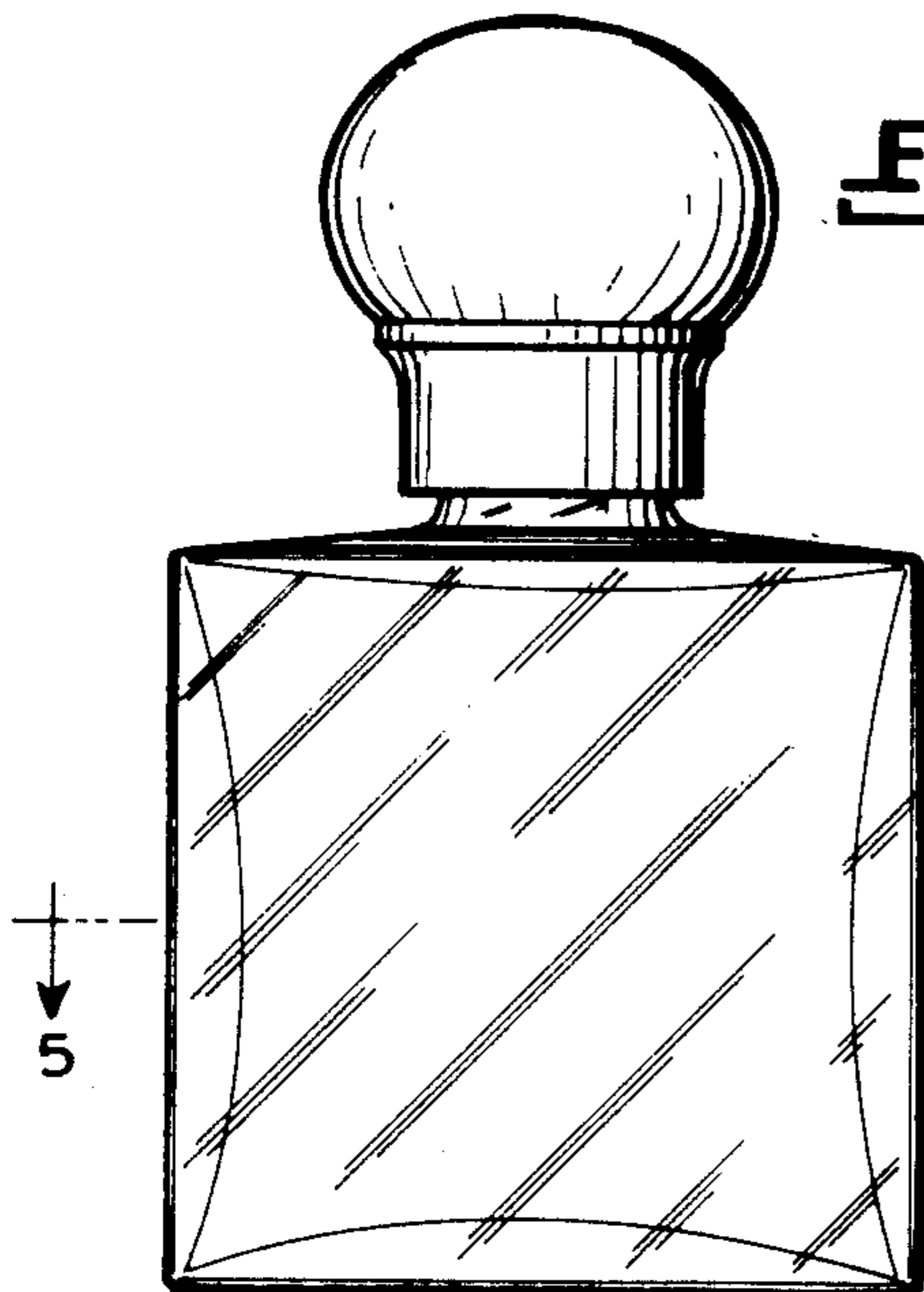


Fig. 3

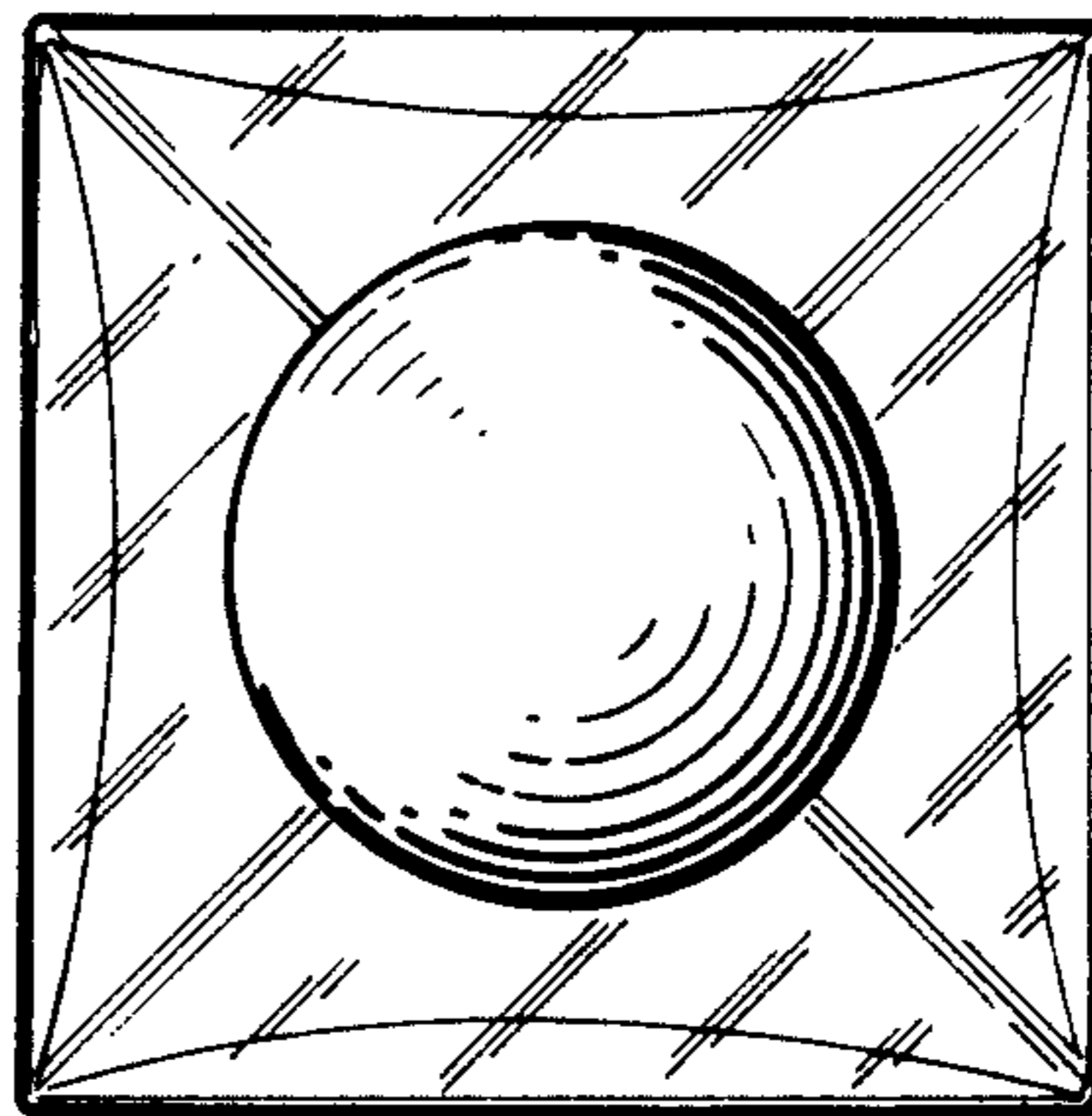


Fig. 4

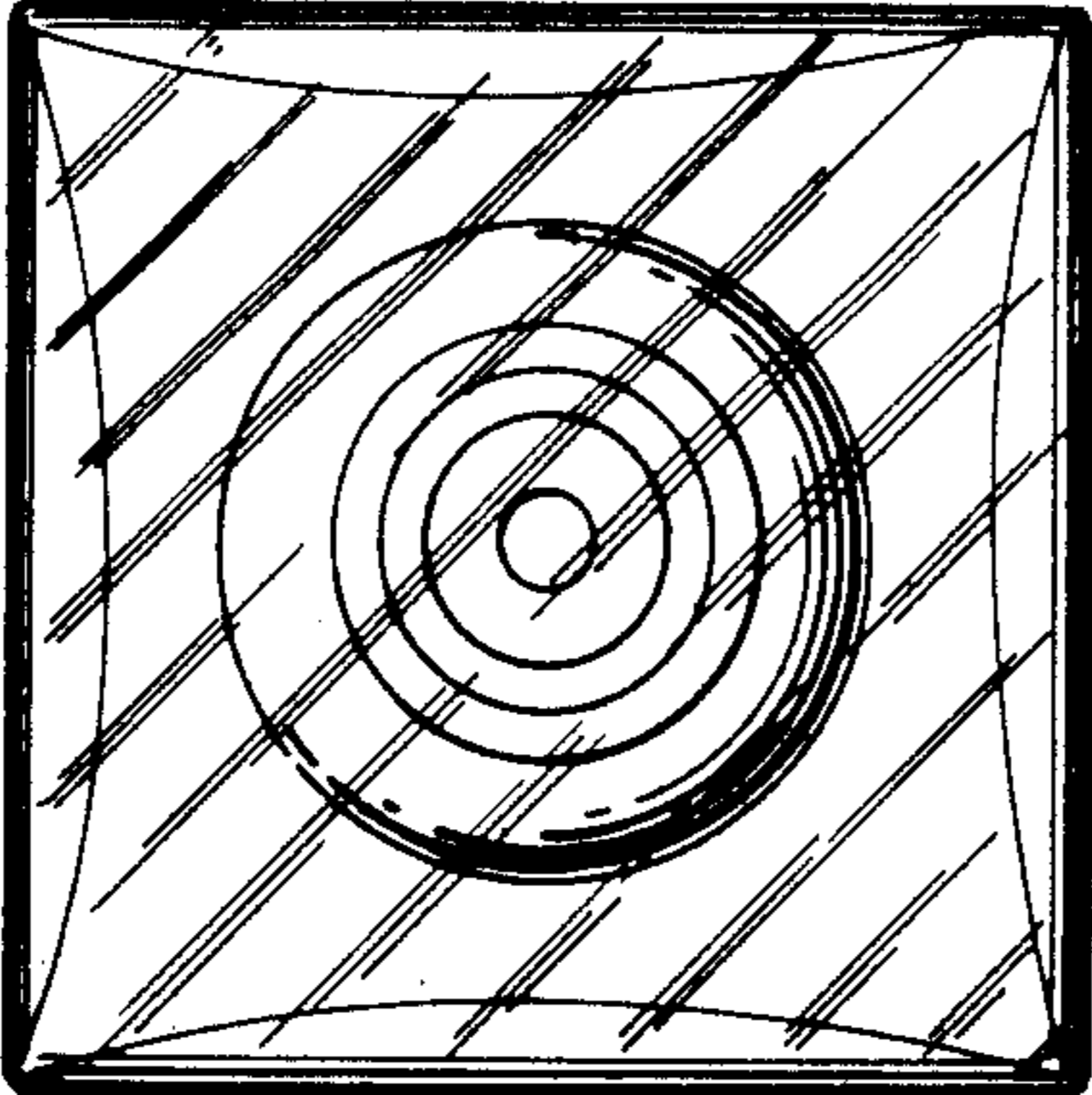


Fig. 5

