

[54] LUNCH BOX

[75] Inventor: Robert H. C. M. Daenen, Hekelgem, Belgium

[73] Assignee: Dart Industries Inc., Los Angeles, Calif.

[**] Term: 14 Years

[21] Appl. No.: 32,065

[22] Filed: Apr. 23, 1979

[51] Int. Cl. D07-99

[52] U.S. Cl. D7/76; D3/73

[58] Field of Search D7/76, 77; D3/76, 73; D9/182, 231, 235

[56] References Cited

U.S. PATENT DOCUMENTS

D. 198,116 4/1964 Pohlmann D3/73

D. 205,878	9/1976	Buhrendorf et al.	D3/73
D. 216,171	11/1969	Murr	D3/73
D. 250,433	11/1978	Malcolm	D3/73
D. 255,084	5/1980	Petrie	D7/76
3,025,947	3/1962	Hammer	D7/77 X

Primary Examiner—Winifred E. Herrmann
Attorney, Agent, or Firm—Leigh B. Taylor

[57] CLAIM

The ornamental design for a lunch box, substantially as shown.

DESCRIPTION

FIG. 1 is a top perspective view of a lunch box showing my new design;

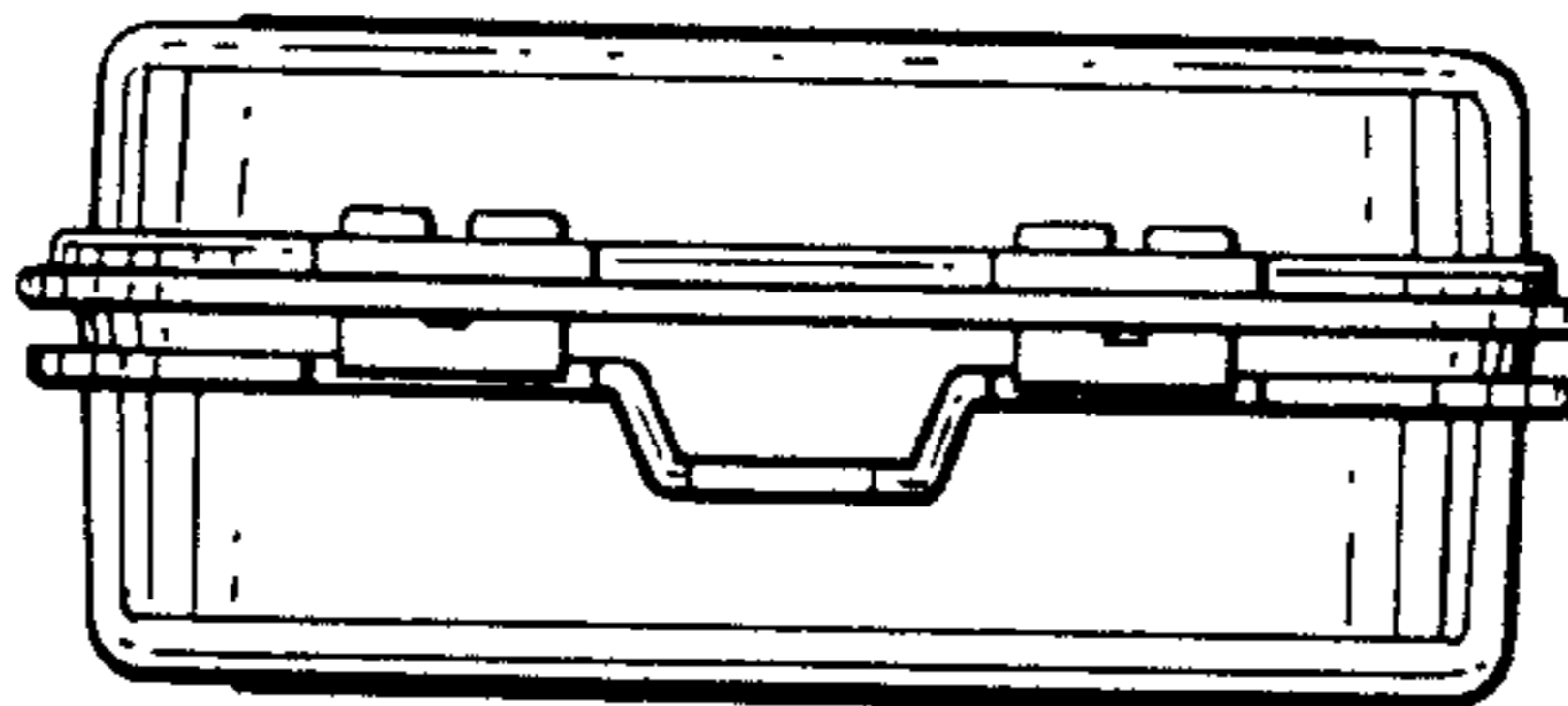
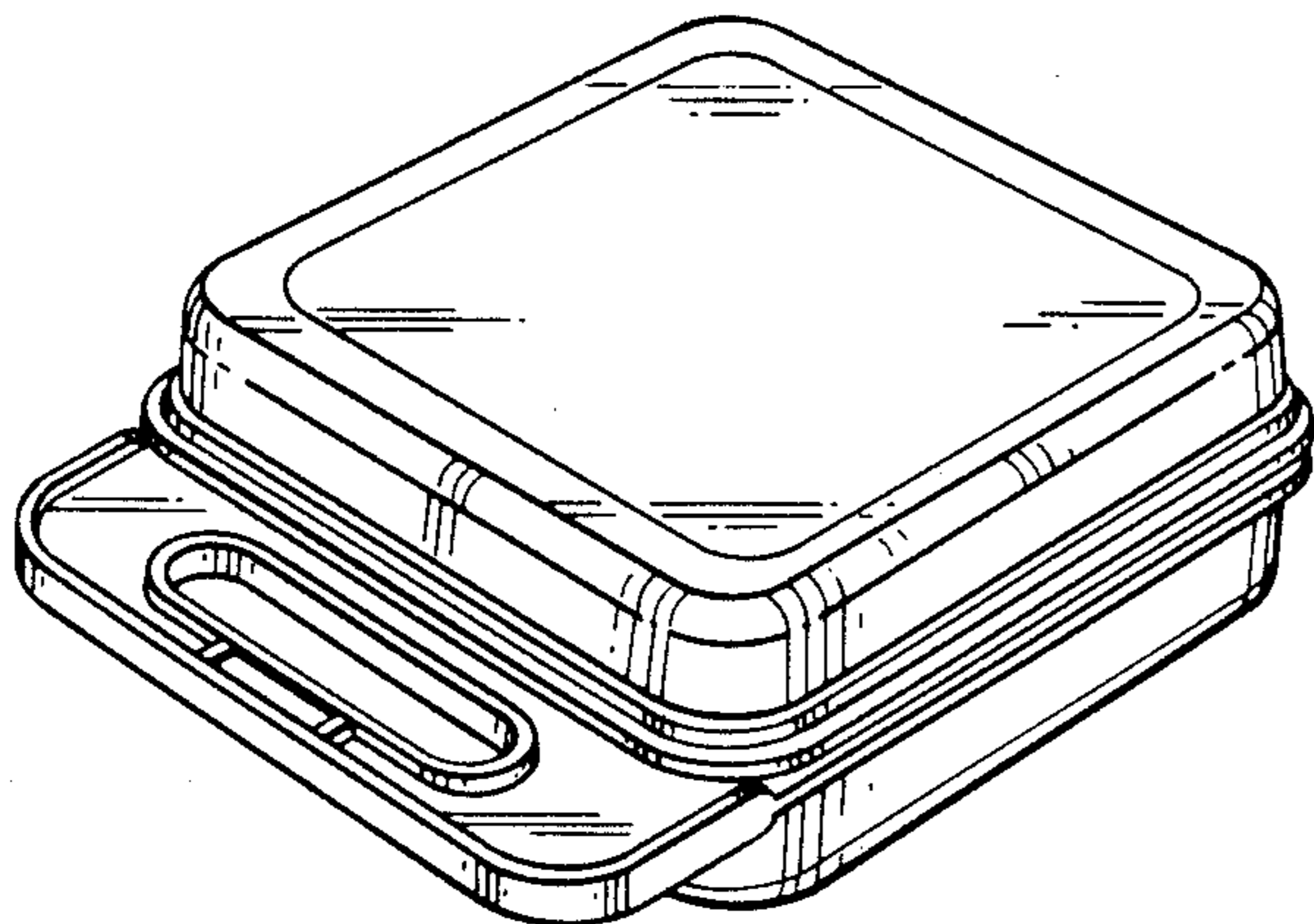
FIG. 2 is a side elevational view thereof;

FIG. 3 is a top plan view thereof;

FIG. 4 is a bottom plan view thereof;

FIG. 5 is a rear elevational view thereof; and

FIG. 6 is a front elevational view thereof.



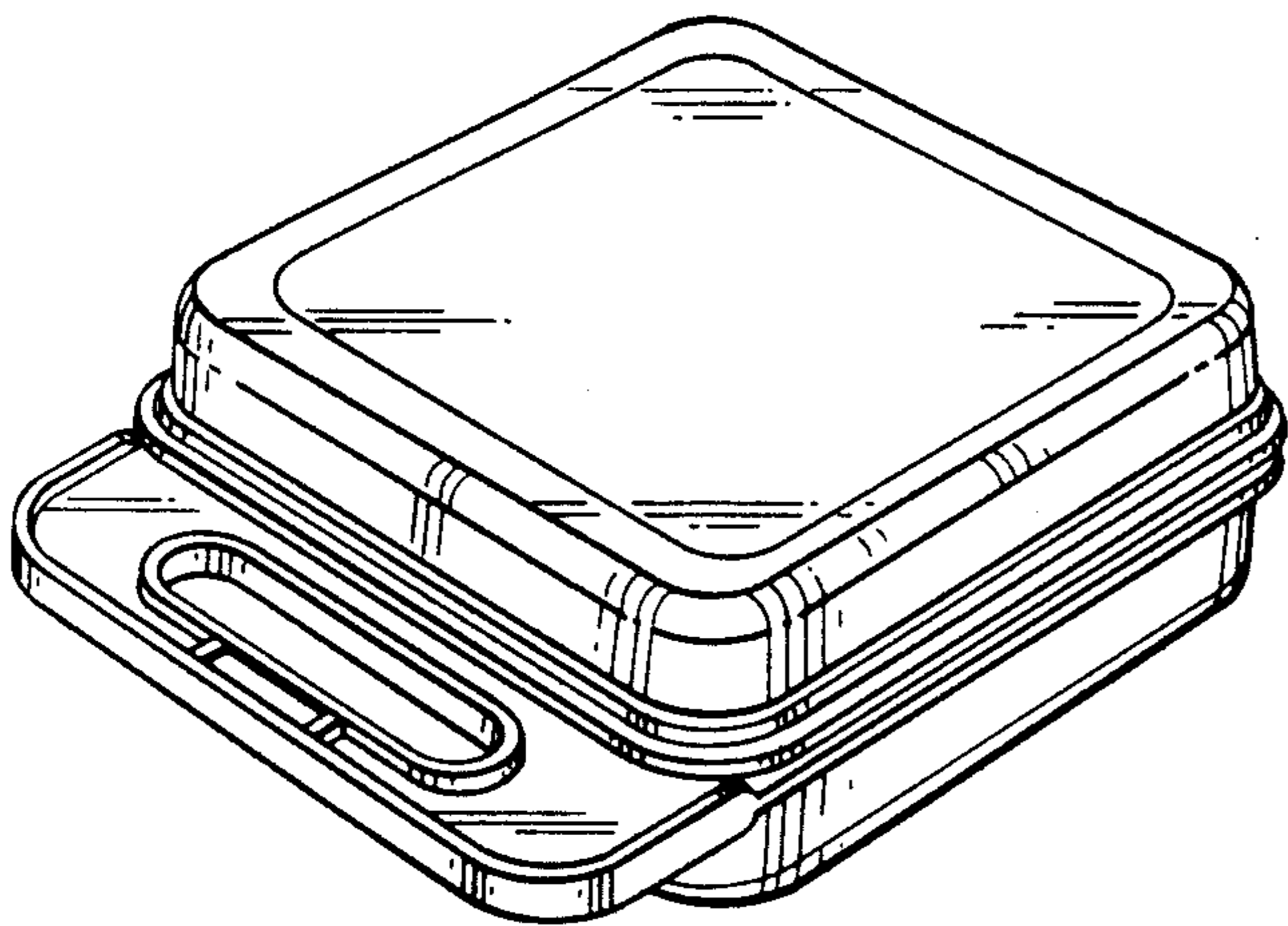


FIG. 1

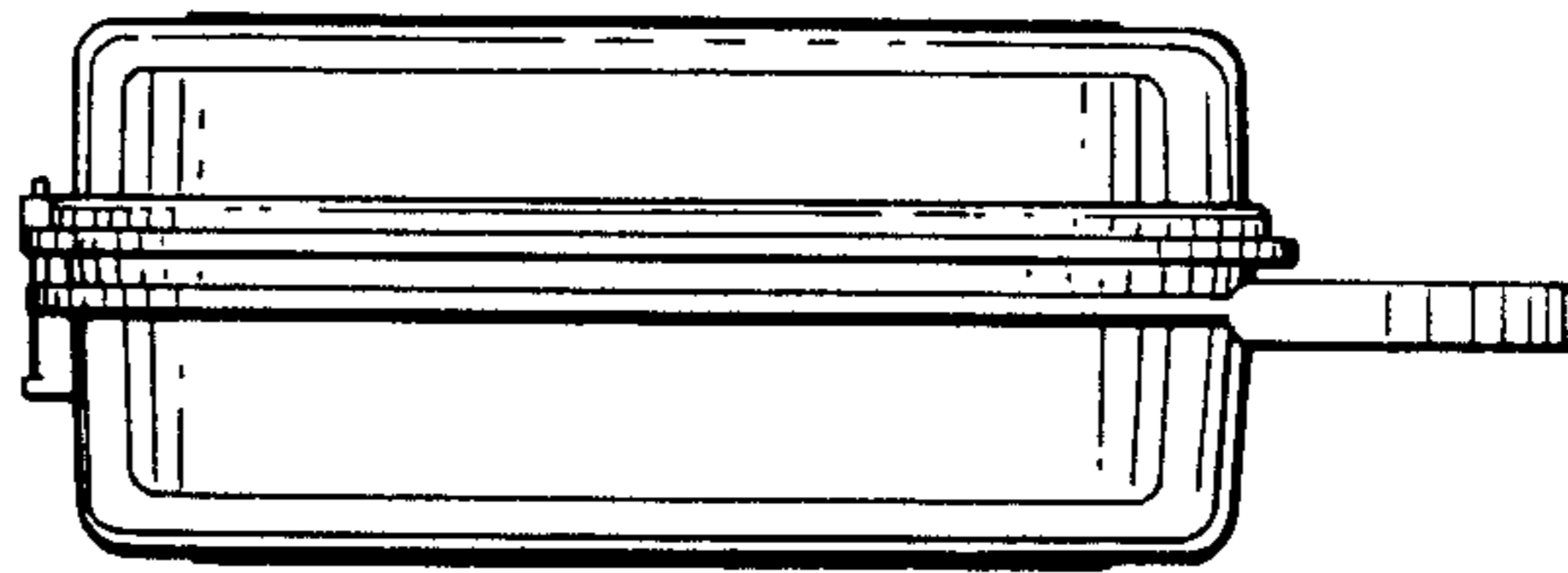


FIG. 2

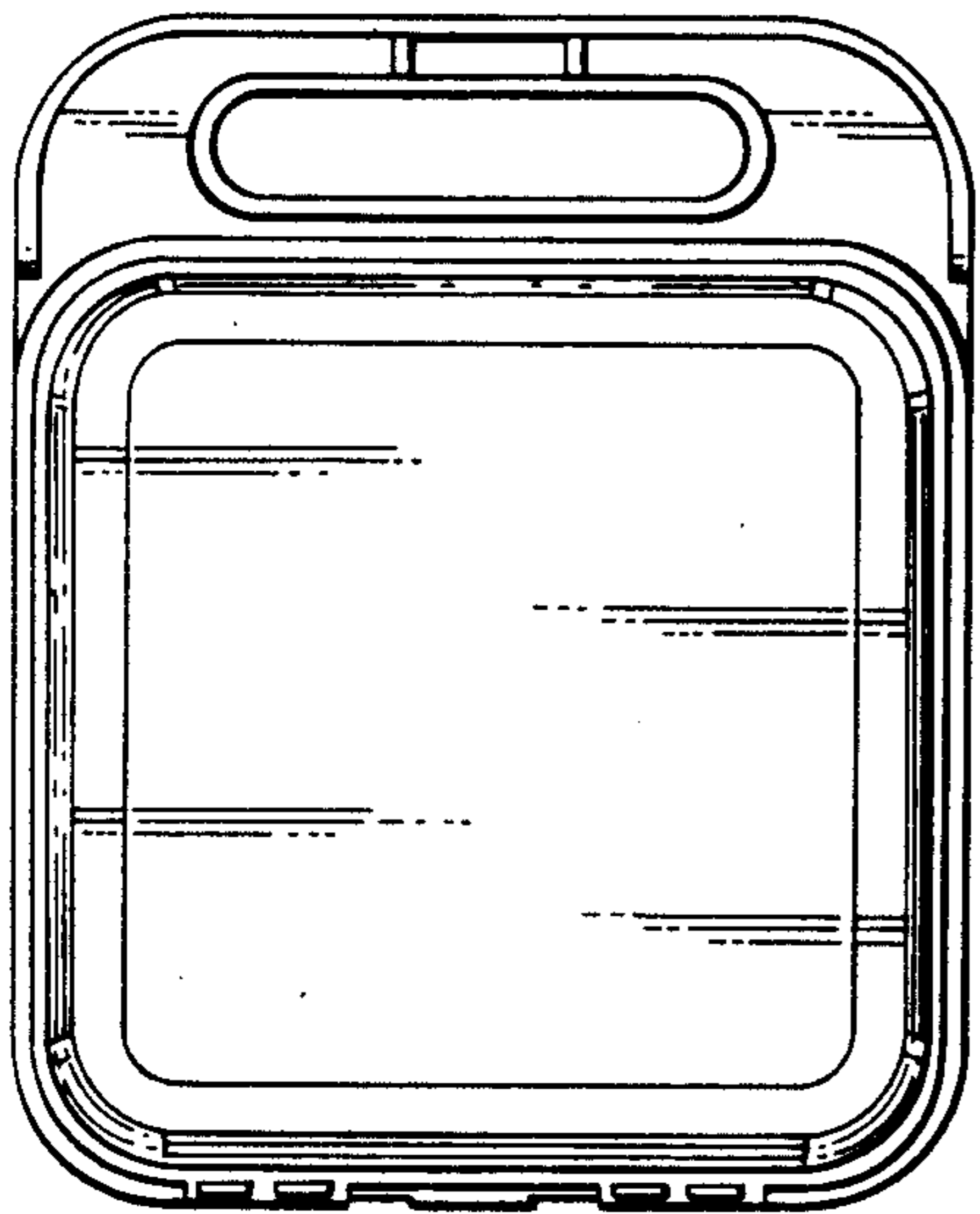


FIG. 3

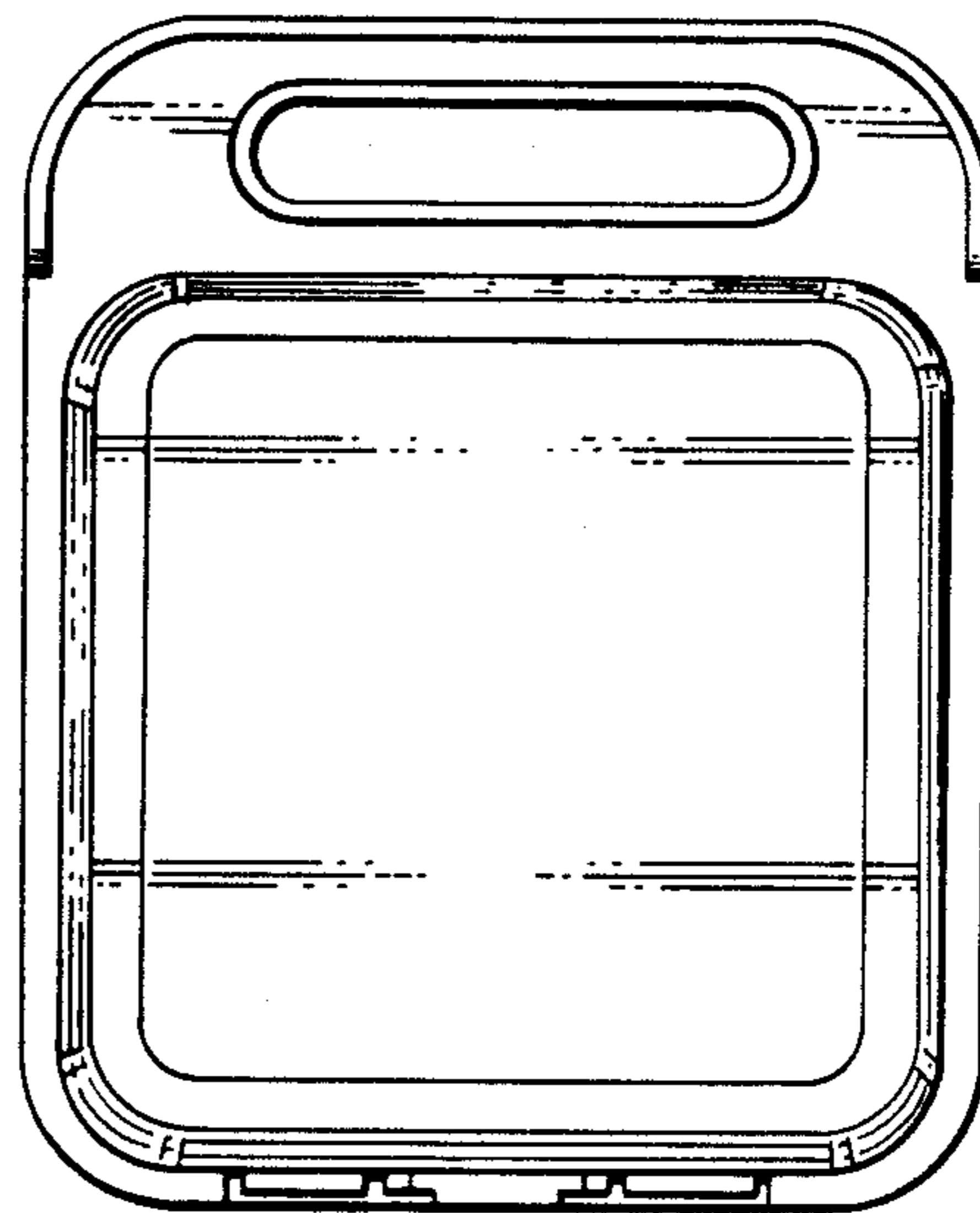


FIG. 4

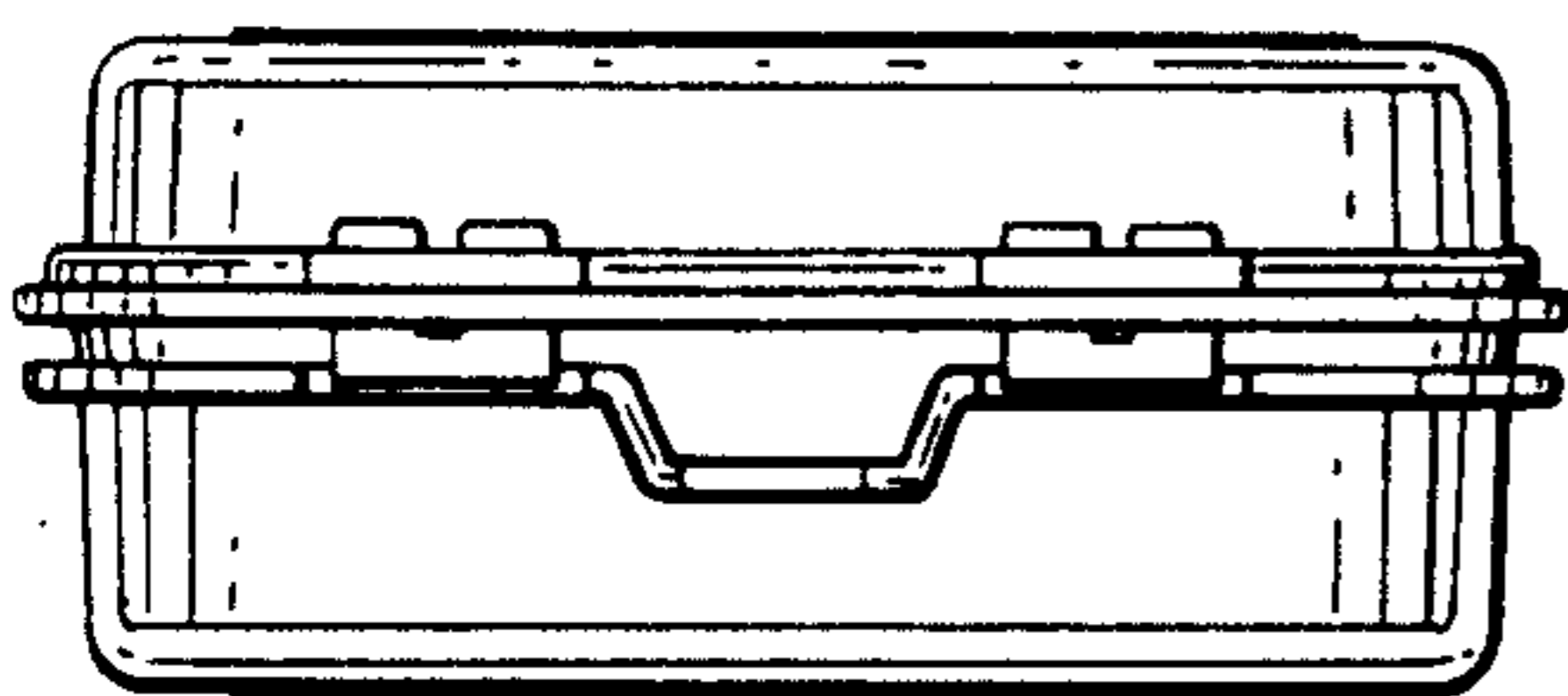


FIG. 5

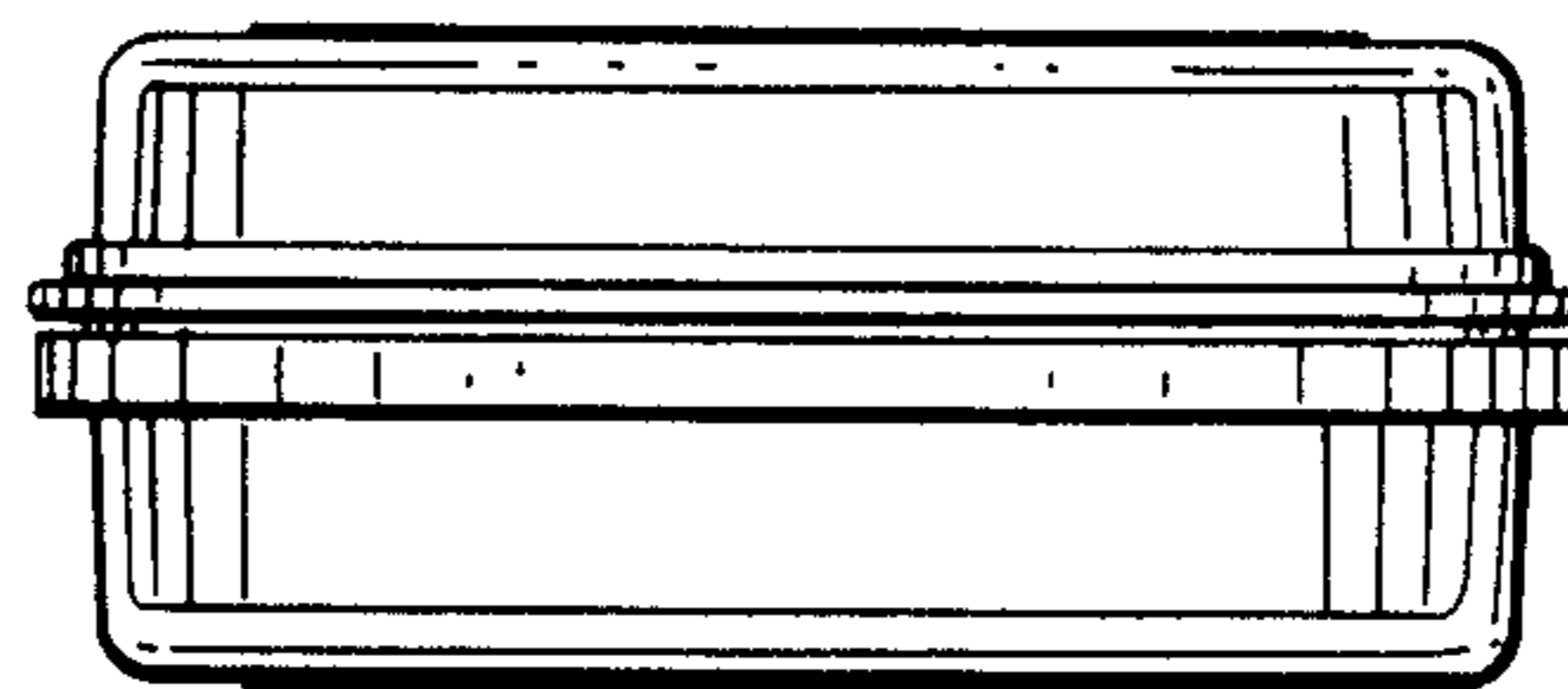


FIG. 6