

[54] GOBLET OR SIMILAR ARTICLE

[76] Inventor: **Jean-Jacques Durand**, 62510 Arques, LaGarenne, France

[**] Term: **14 Years**

[21] Appl. No.: **42,428**

[22] Filed: **May 25, 1979**

[51] Int. Cl. **D07—01**

[52] U.S. Cl. **D7/13**

[58] Field of Search **D7/6, 13, 11, 14, 15**

[56] **References Cited**

U.S. PATENT DOCUMENTS

D. 7,256	3/1874	Pears	D7/14
D. 35,828	3/1902	Dick	D7/13
D. 98,236	1/1936	Clark	D7/13
D. 99,676	5/1936	Irwin	D7/13
D. 127,154	5/1941	Carlson	D7/13

OTHER PUBLICATIONS

The Gift & Art Buyer, Apr. 1940, p. 45, Goblet shown by Paul A. Straub & Co.

Primary Examiner—Winifred E. Herrmann
Attorney, Agent, or Firm—D. Paul Weaver

[57] **CLAIM**

The ornamental design for a goblet or similar article, substantially as shown and described.

DESCRIPTION

FIG. 1 is a side elevational view of a goblet or similar article showing my new design in the size and proportions of a dessert/champagne glass;

FIG. 2 is a sectional view thereof taken along the lines 2—2 of FIG. 1;

FIG. 3 is a bottom partial sectional view thereof, taken along the lines 3—3 of FIG. 1;

FIG. 4 is a top plan view thereof;

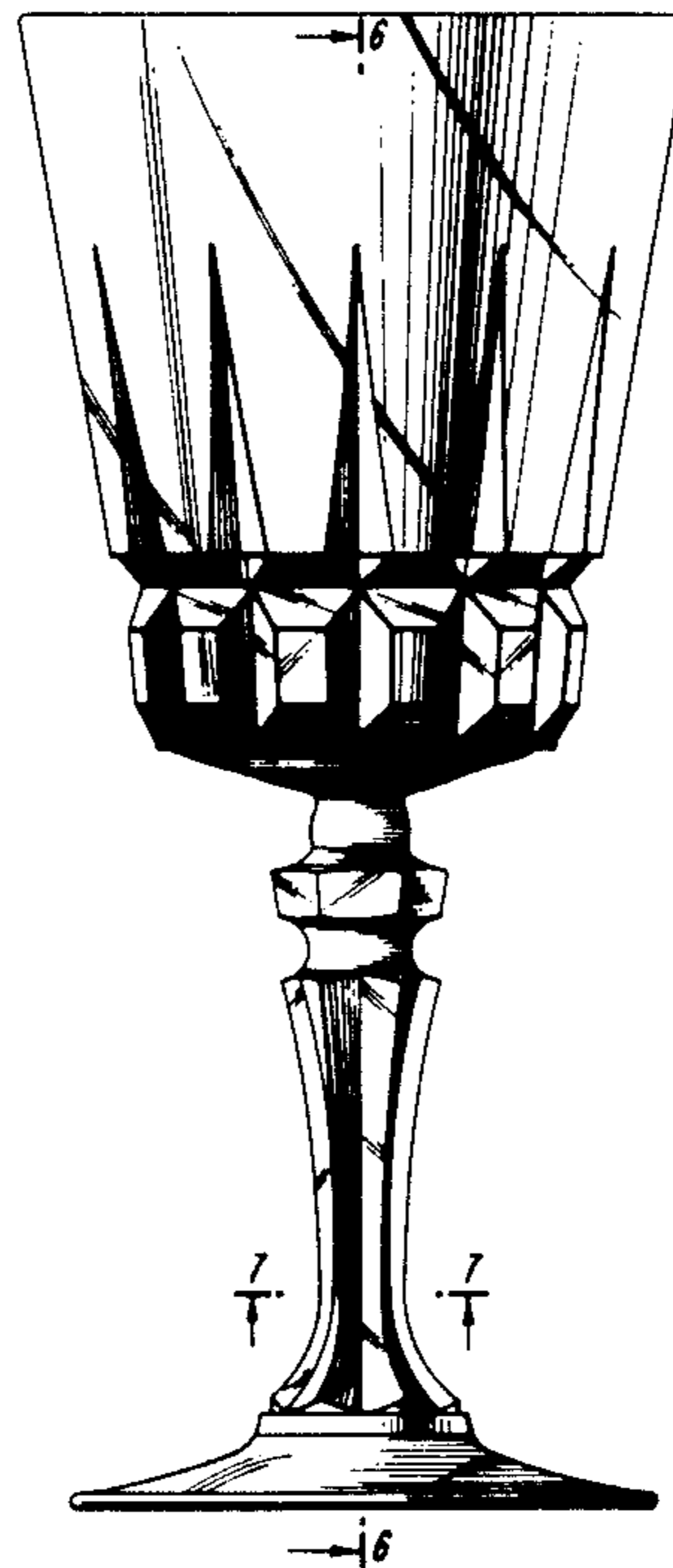
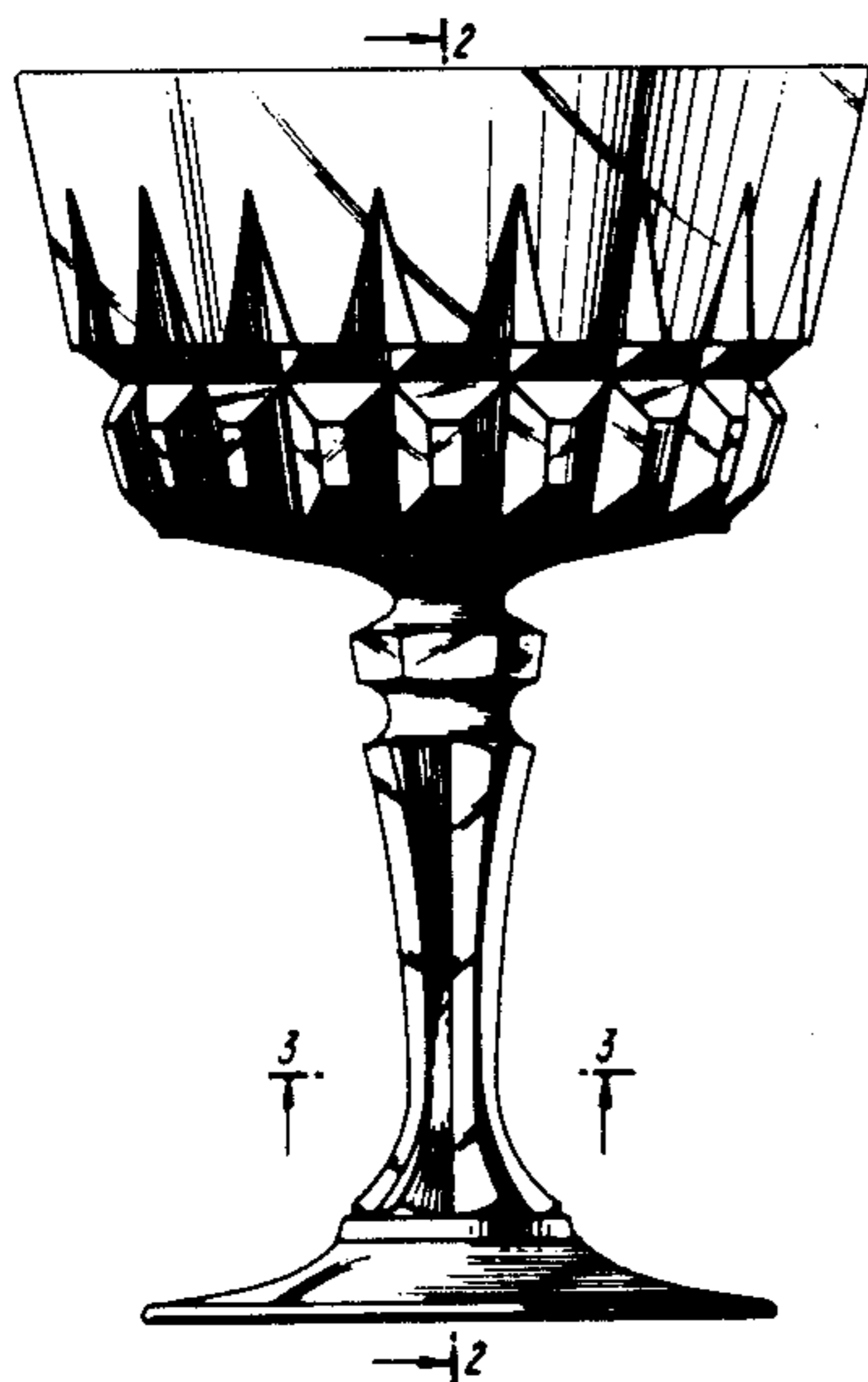
FIG. 5 is a side elevational view of a goblet or similar article showing my new design in the size and proportions of a water/wine goblet;

FIG. 6 is a sectional view of the water/wine goblet, taken along the lines 6—6 of FIG. 5;

FIG. 7 is a bottom partial sectional view of the water/wine goblet taken along the lines 7—7 of FIG. 5, and

FIG. 8 is a top plan view of the water/wine goblet. The essential features of my design reside in the shape of the bowl and the cuts made thereon, when viewed in combination with a stem and foot, as shown.

The facets that would be visible through the transparent walls in FIGS. 2, 4, 6 and 8 have been omitted for convenience of illustration.



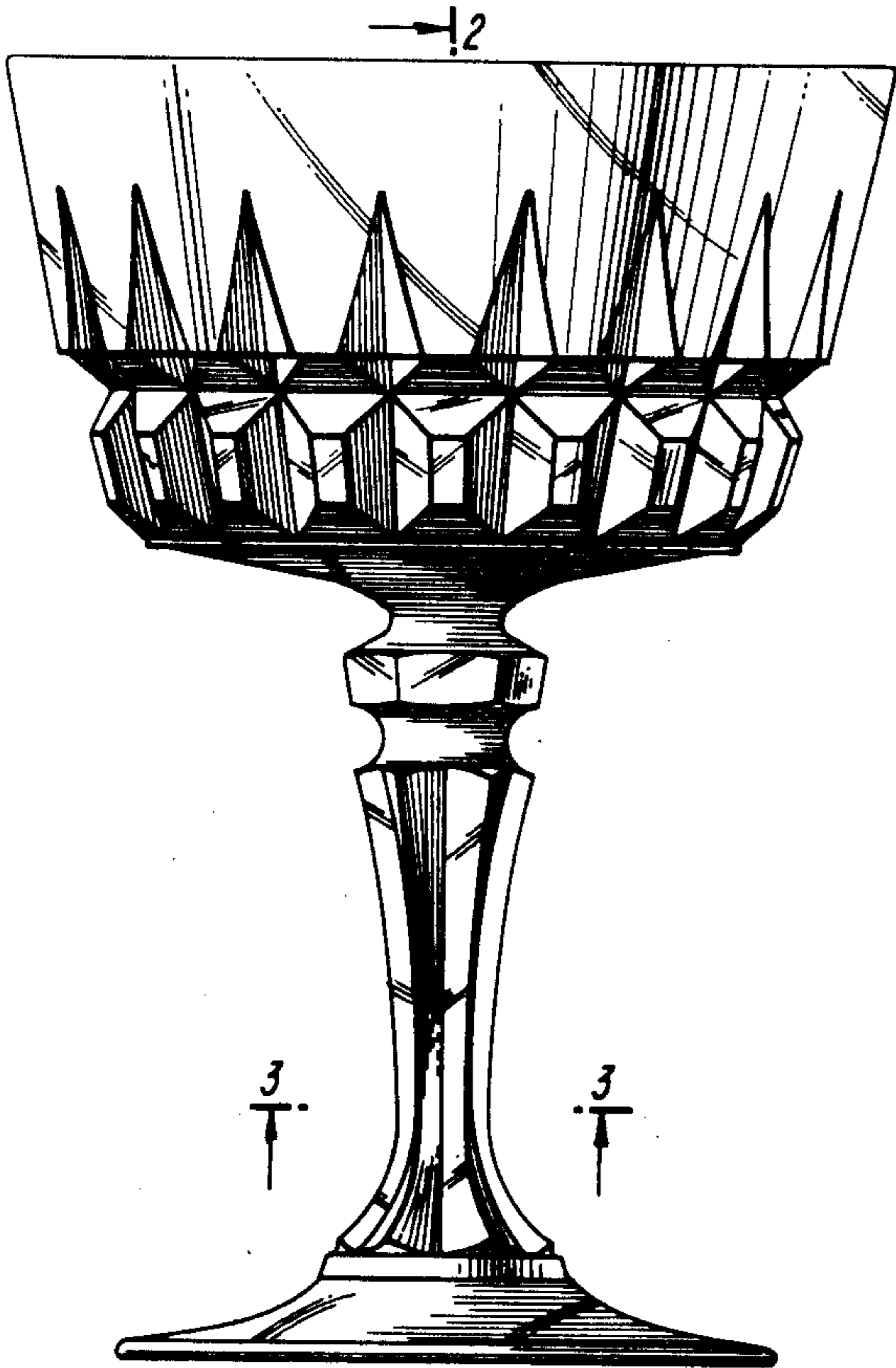


Fig. 1

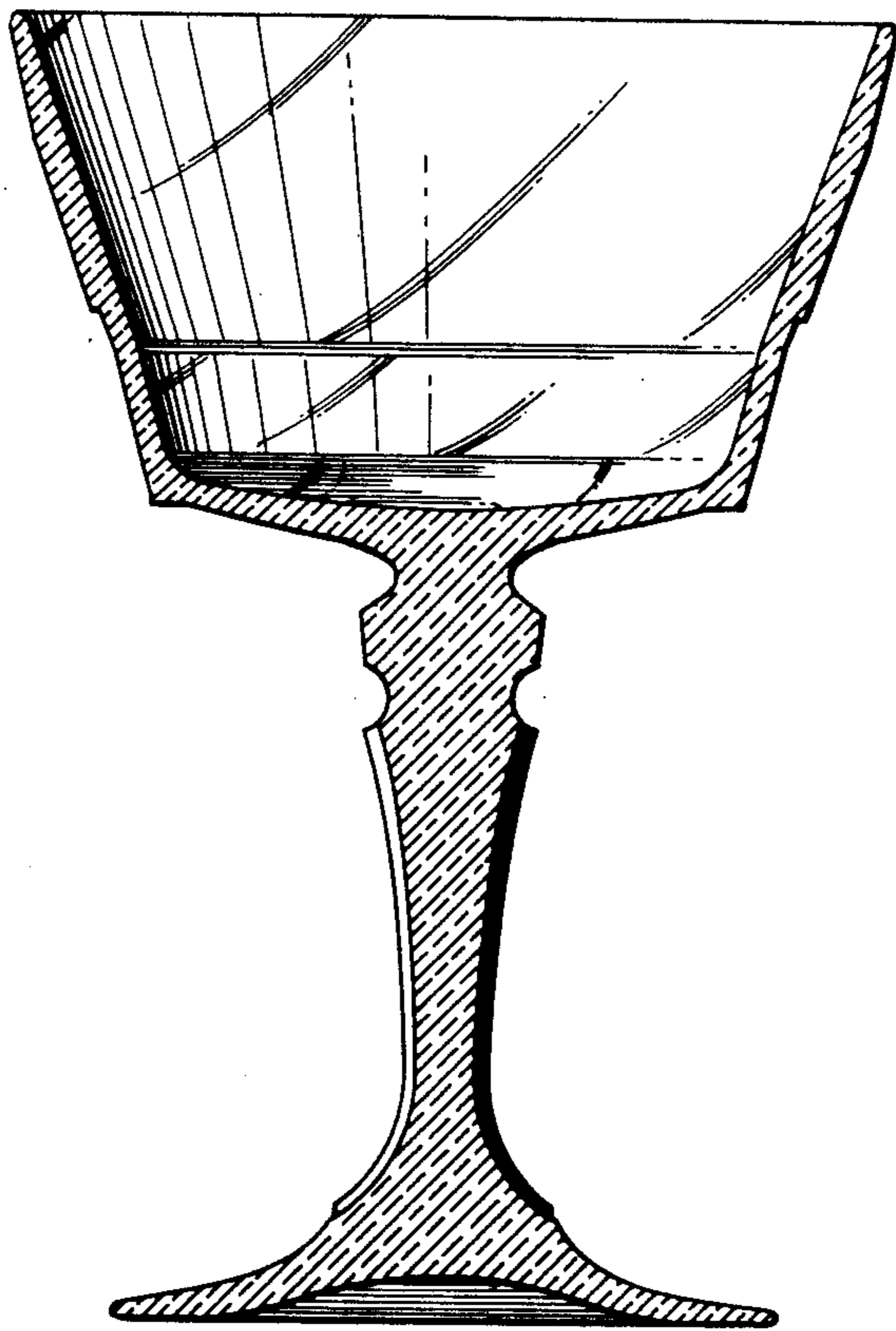


Fig. 2

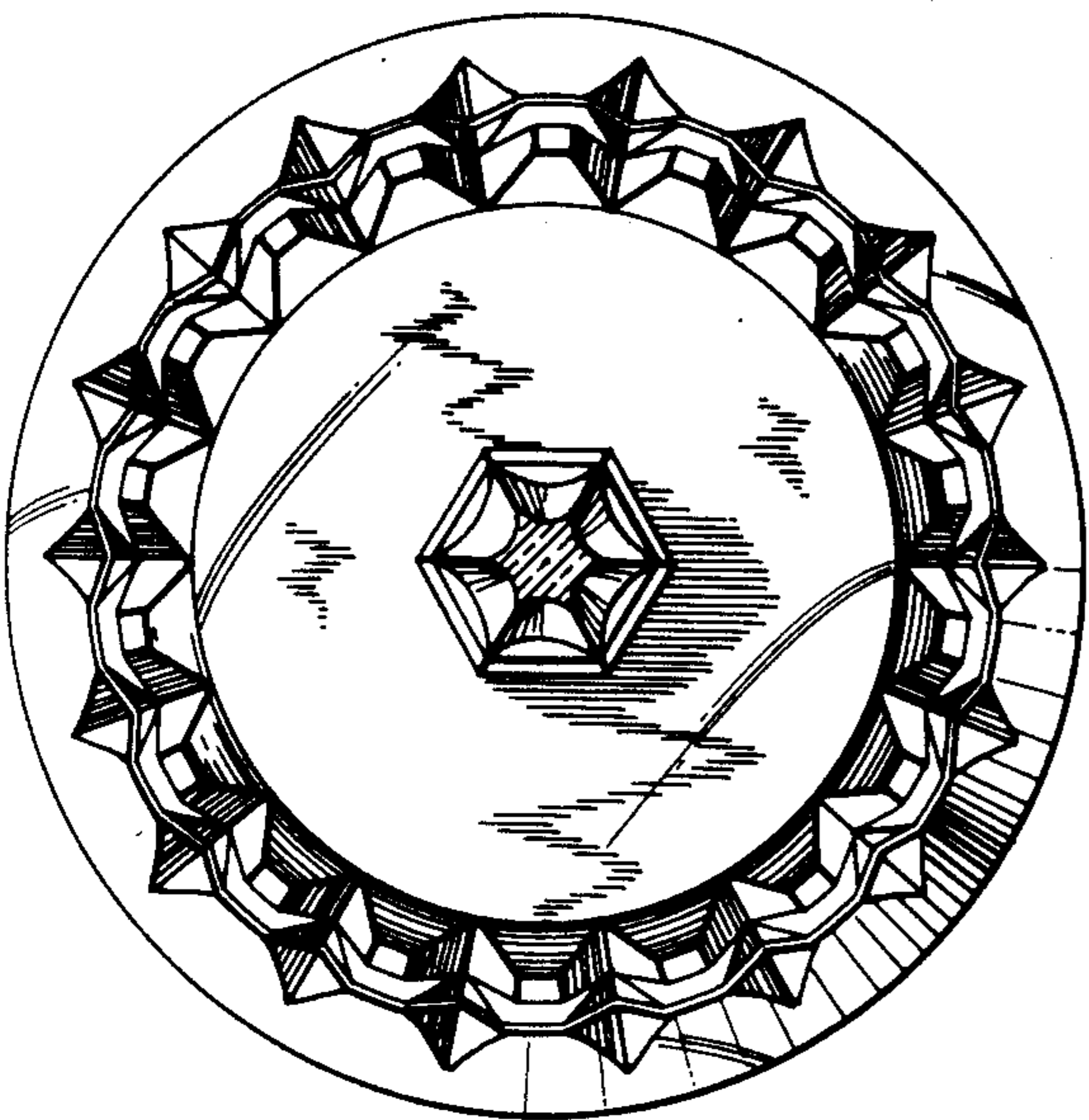


Fig. 3

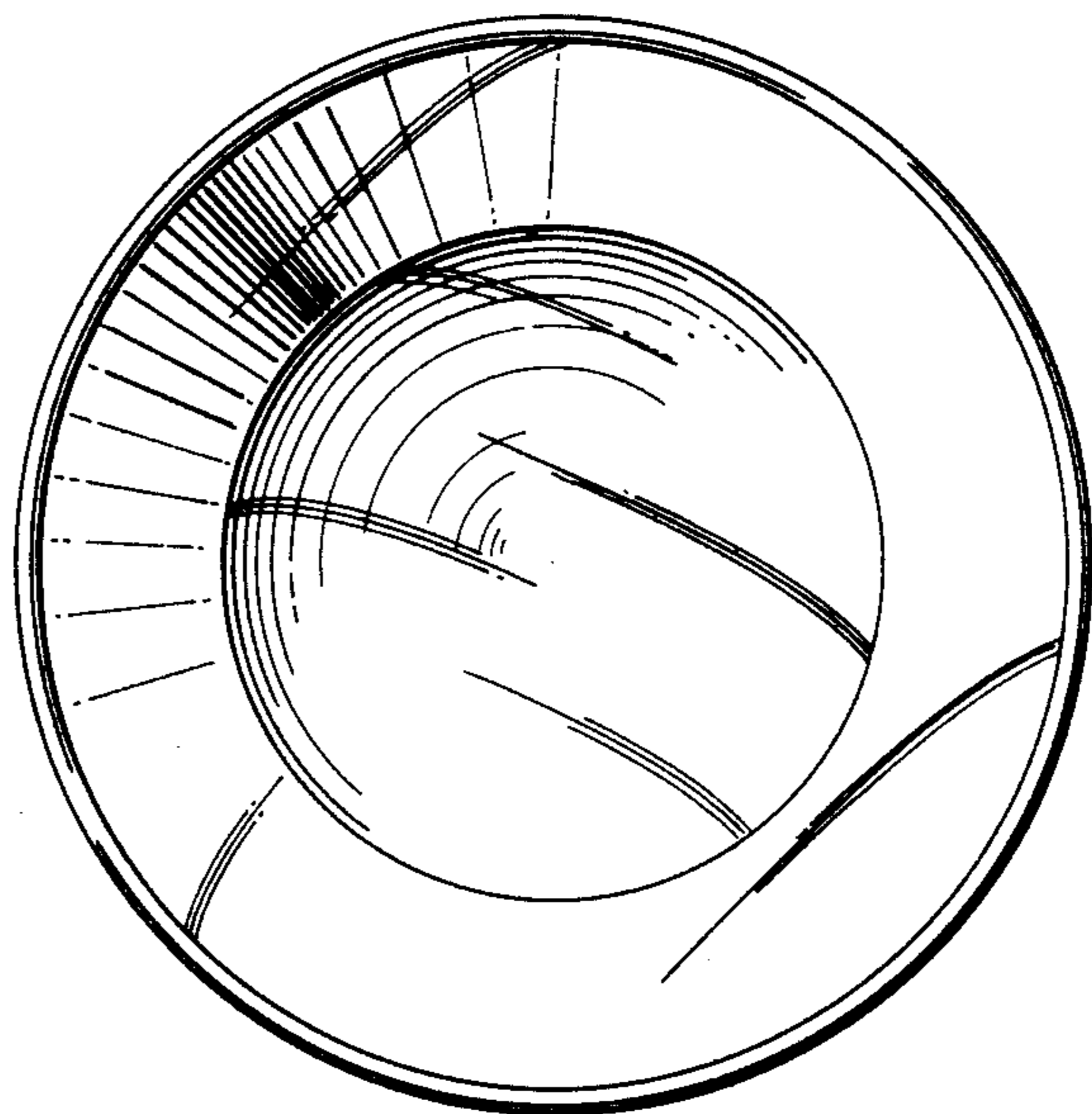


Fig. 4

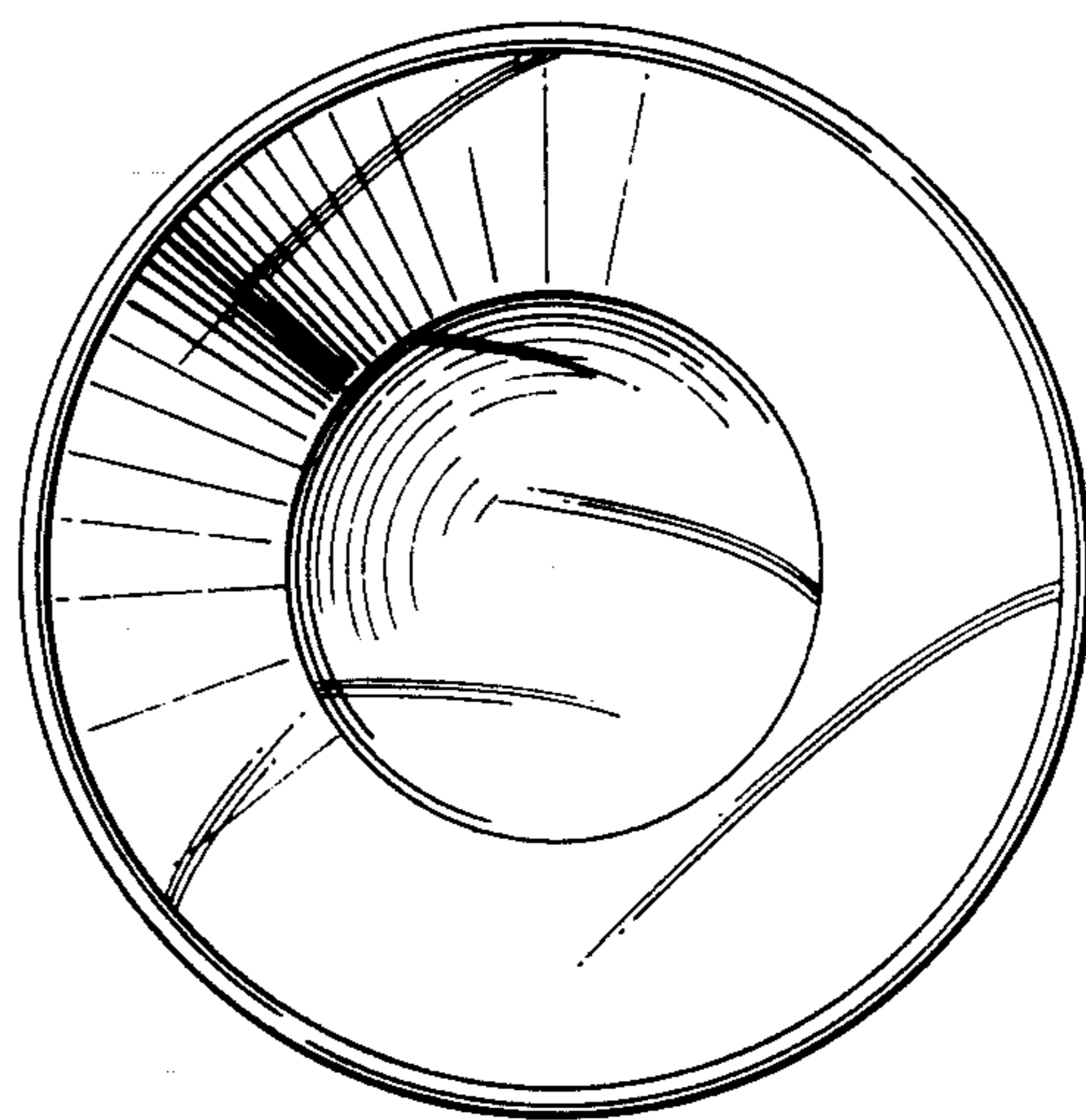
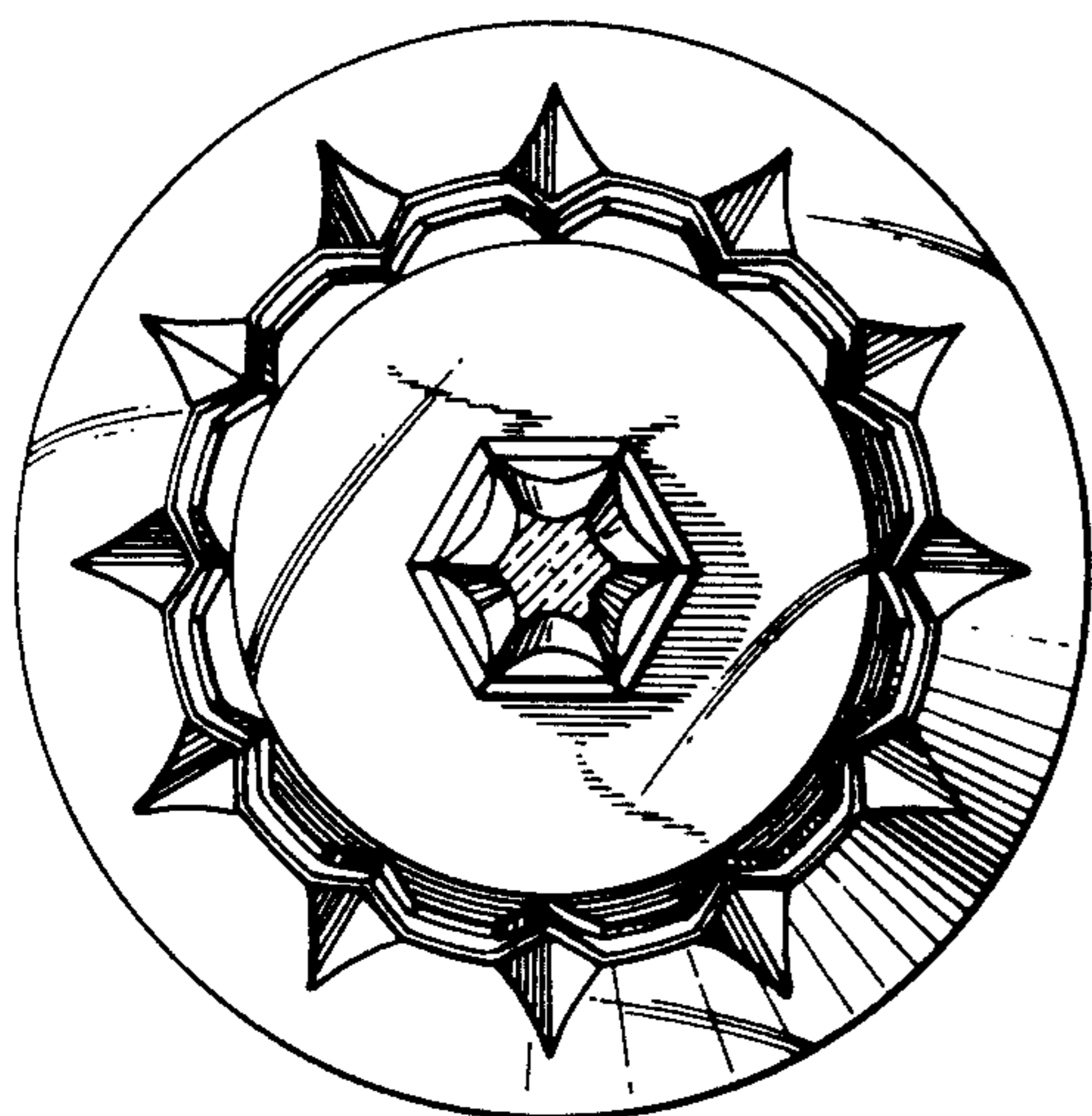
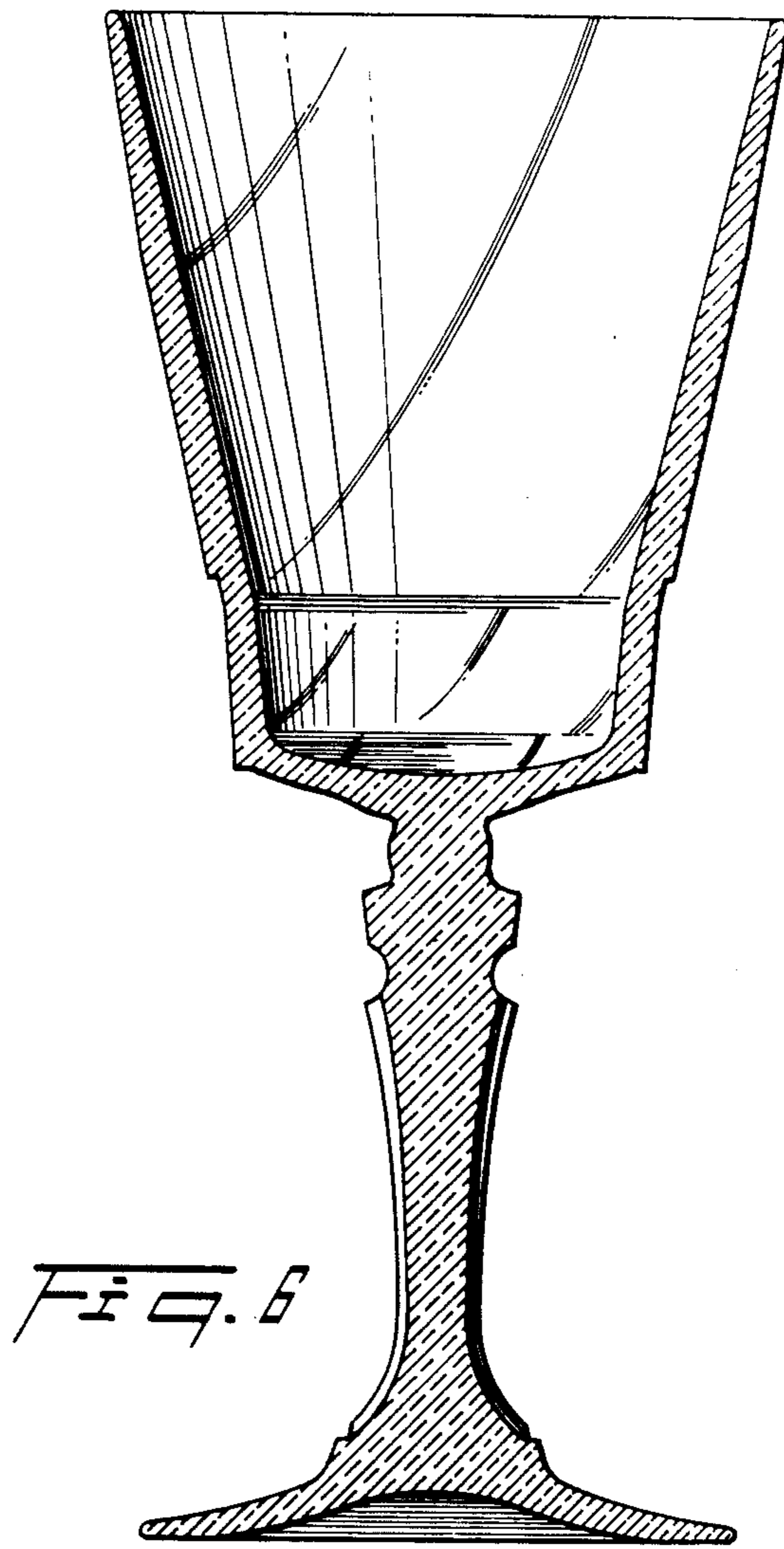
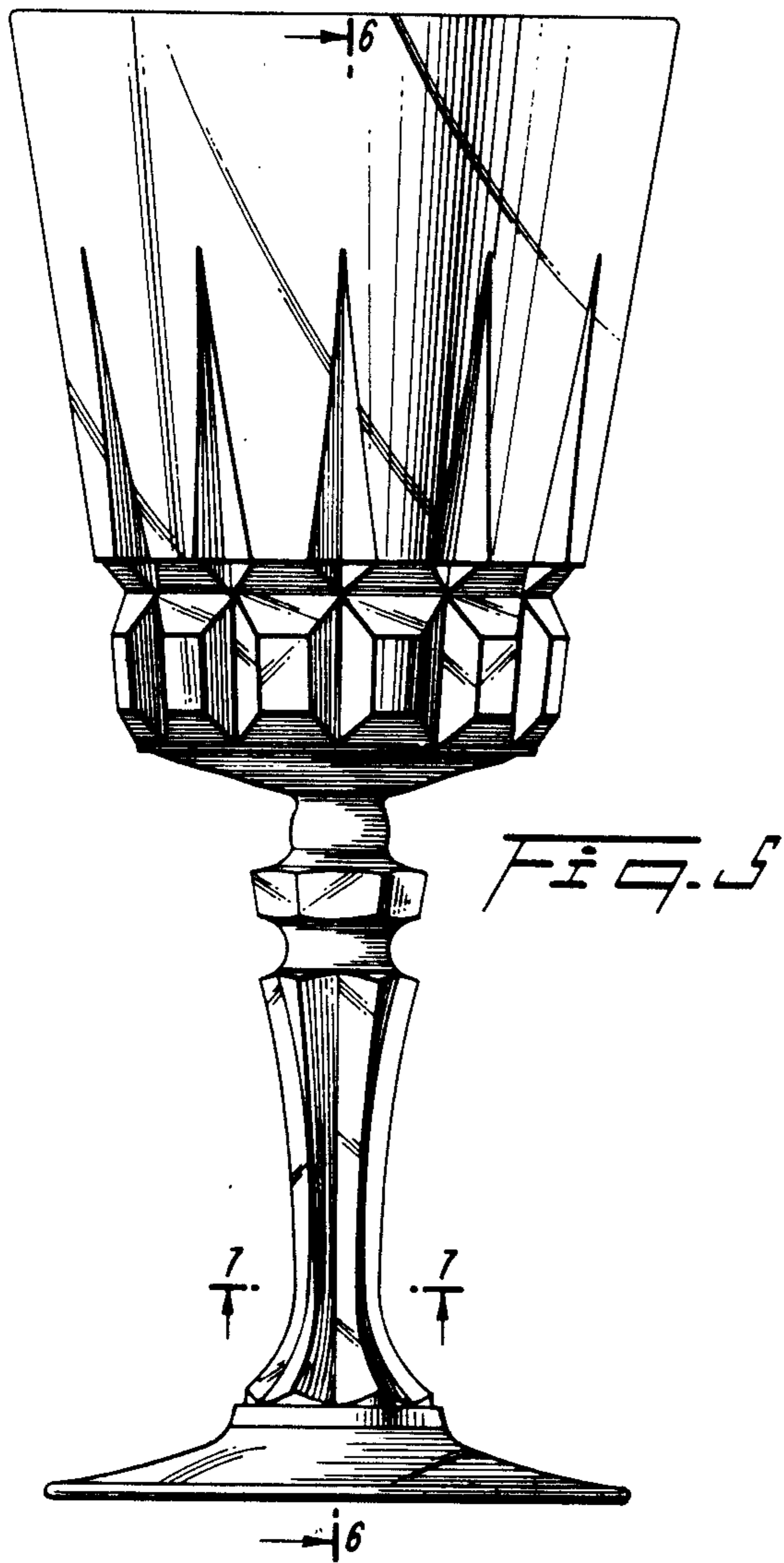


Fig. 7

Fig. 8