

[54] **ARMCHAIR**

[75] Inventor: **Randall P. Buhk**, Wyoming, Mich.
[73] Assignee: **Steelcase Inc.**, Grand Rapids, Mich.
[*] Notice: The portion of the term of this patent subsequent to Oct. 23, 1993, has been disclaimed.

[**] Term: **14 Years**

[21] Appl. No.: **908,145**

[22] Filed: **May 22, 1978**

[51] Int. Cl. **D6-01**

[52] U.S. Cl. **D6/31**

[58] Field of Search **D6/30, 26, 31, 68, 66; 248/188.1**

[56] **References Cited**

U.S. PATENT DOCUMENTS

D. 240,374	7/1976	Buhk	D6/31
D. 244,892	7/1977	Koepke	D6/31
D. 253,206	10/1979	Buhk	D6/31

OTHER PUBLICATIONS

Chromcraft Cat., executive chair section, chair No. X722-764-02.

Primary Examiner—Bruce W. Dunkins
Attorney, Agent, or Firm—Price, Heneveld, Huizenga & Cooper

[57] **CLAIM**

The ornamental design for an armchair, substantially as shown.

DESCRIPTION

FIG. 1 is a perspective view of an armchair embodying the design of my invention;
FIG. 2 is a generally rear perspective view of the armchair;
FIG. 3 is a front elevational view of the armchair;
FIG. 4 is a side elevational view of the armchair;
FIG. 5 is a rear elevational view of the armchair;
FIG. 6 is a top plan view of the armchair;
FIG. 7 is a bottom plan view of the armchair;
FIG. 8 is a perspective view of an alternative embodiment of my design in which button tufting is employed in the cushioning;
FIG. 9 is a perspective view of an alternative embodiment of my design in which a four-legged base is employed instead of a five-legged base; and
FIG. 10 is a perspective view of yet another alternative embodiment of my design in which yet another type of base is employed on the chair.



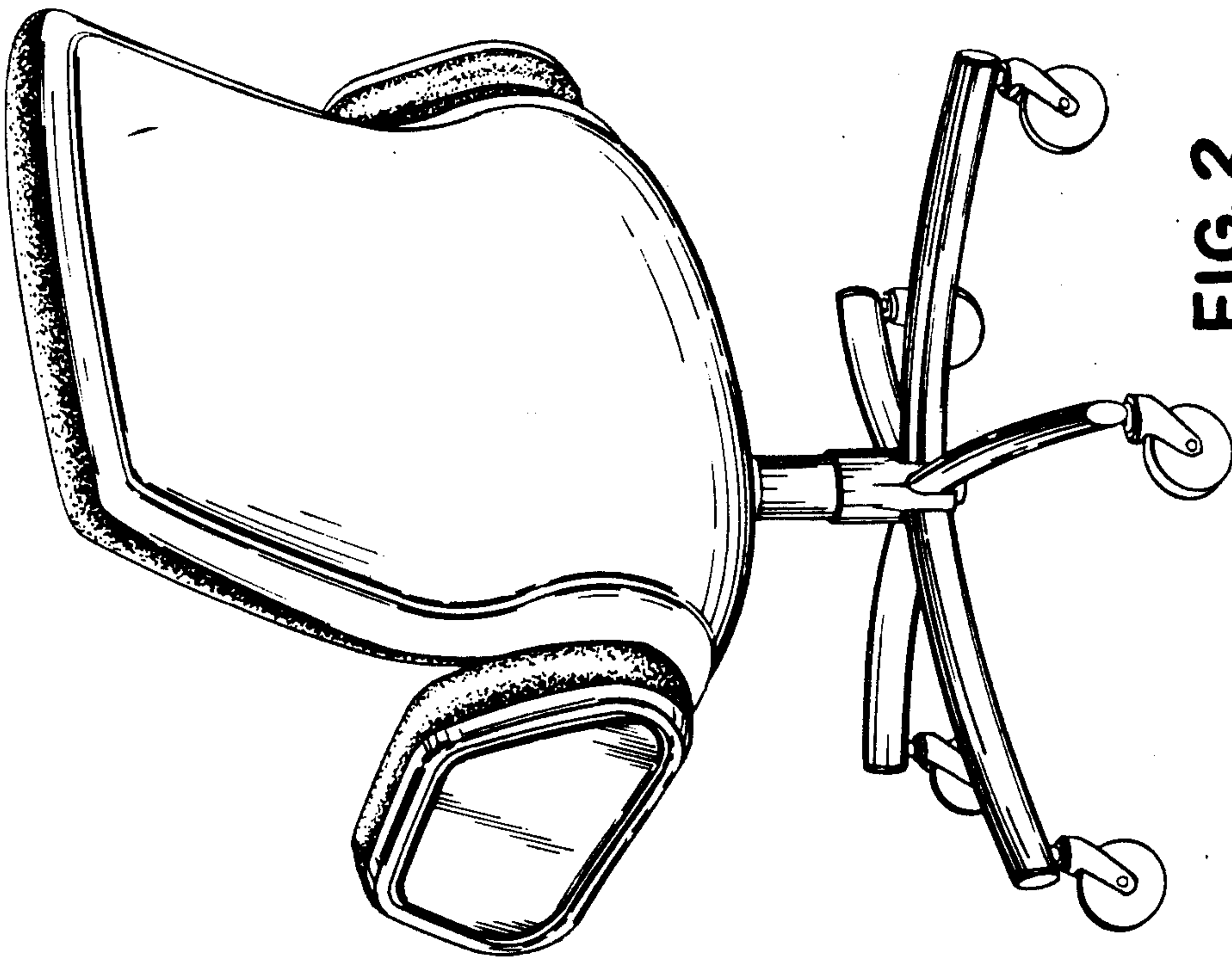


FIG. 2.

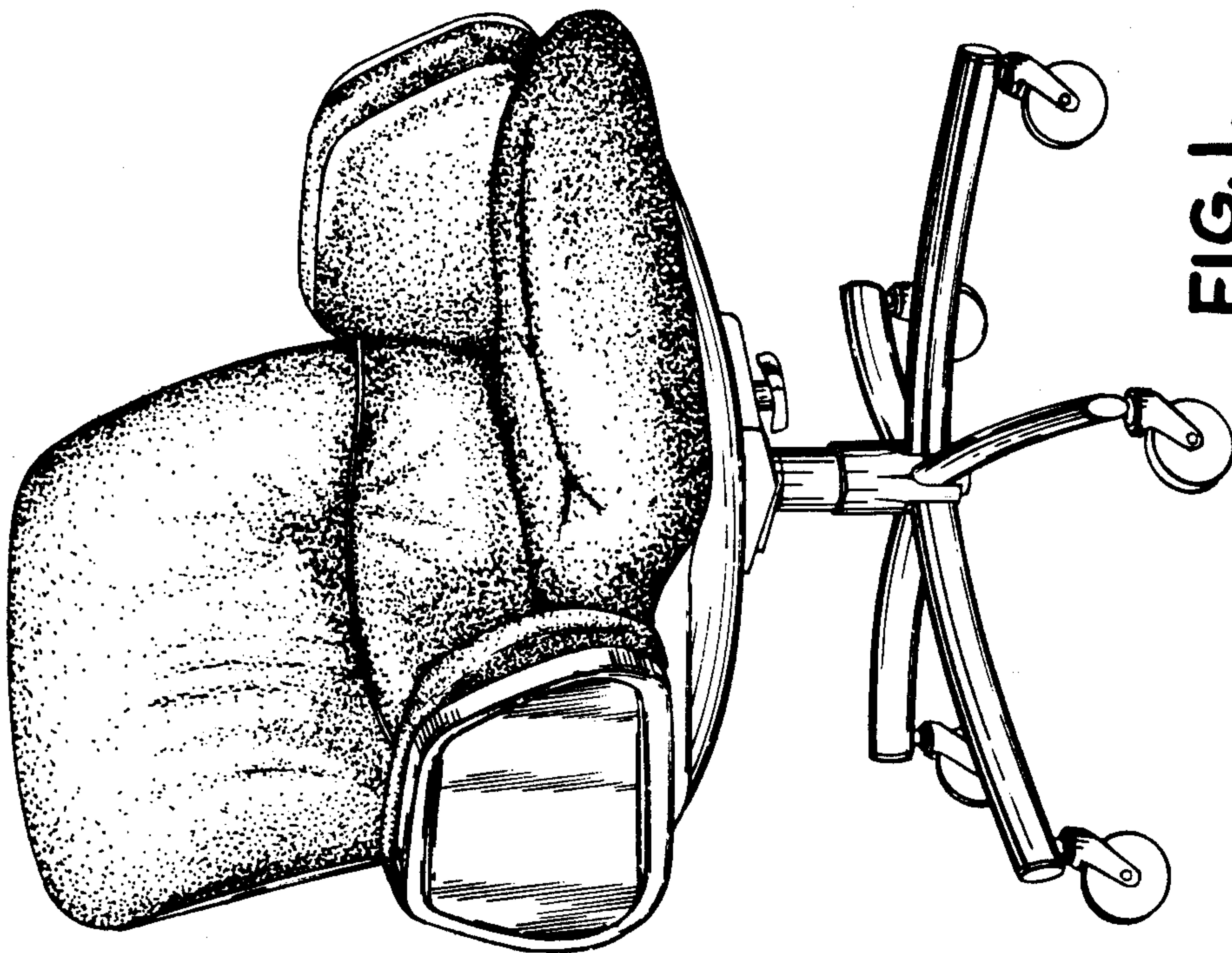


FIG. 1.

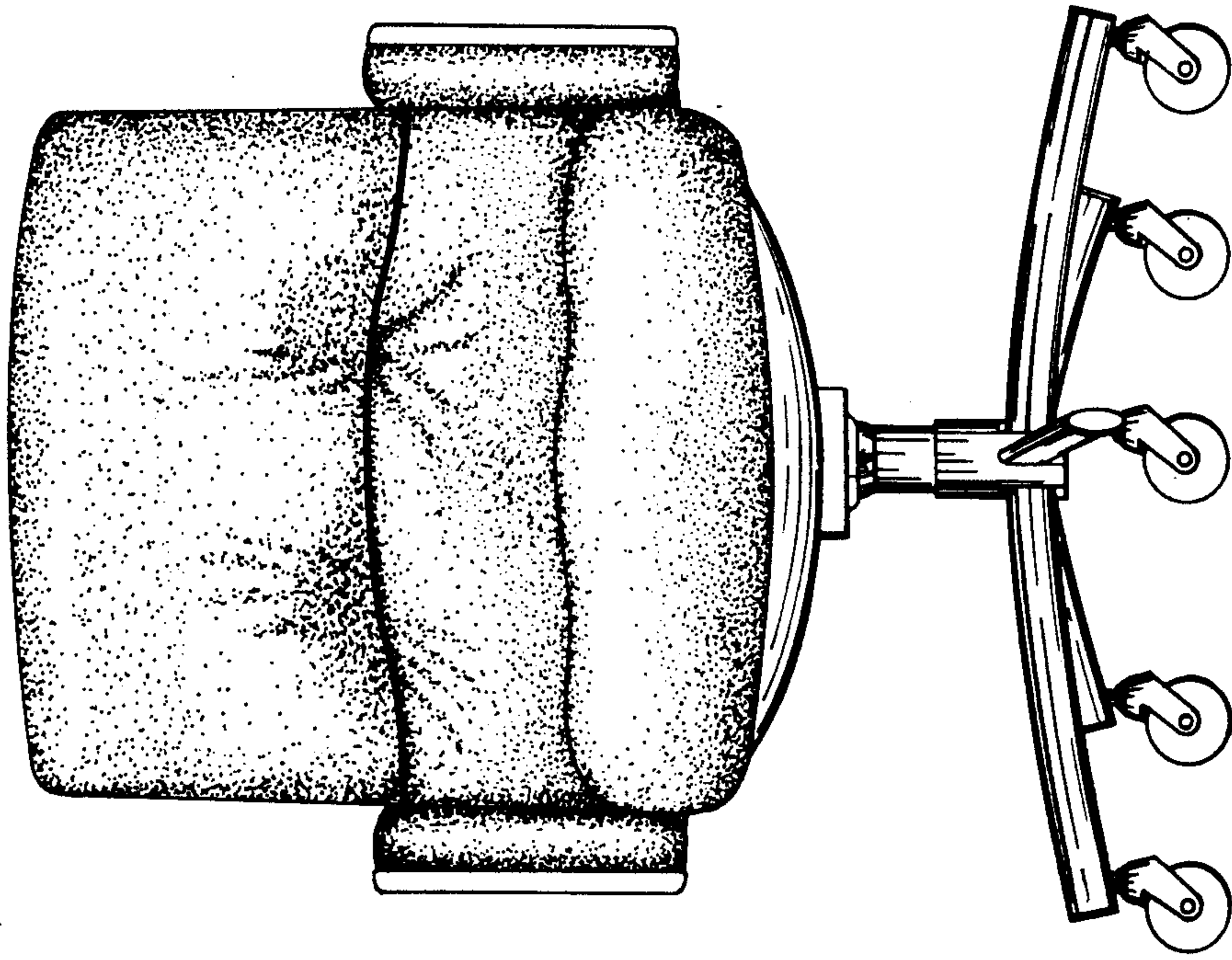


FIG. 3.

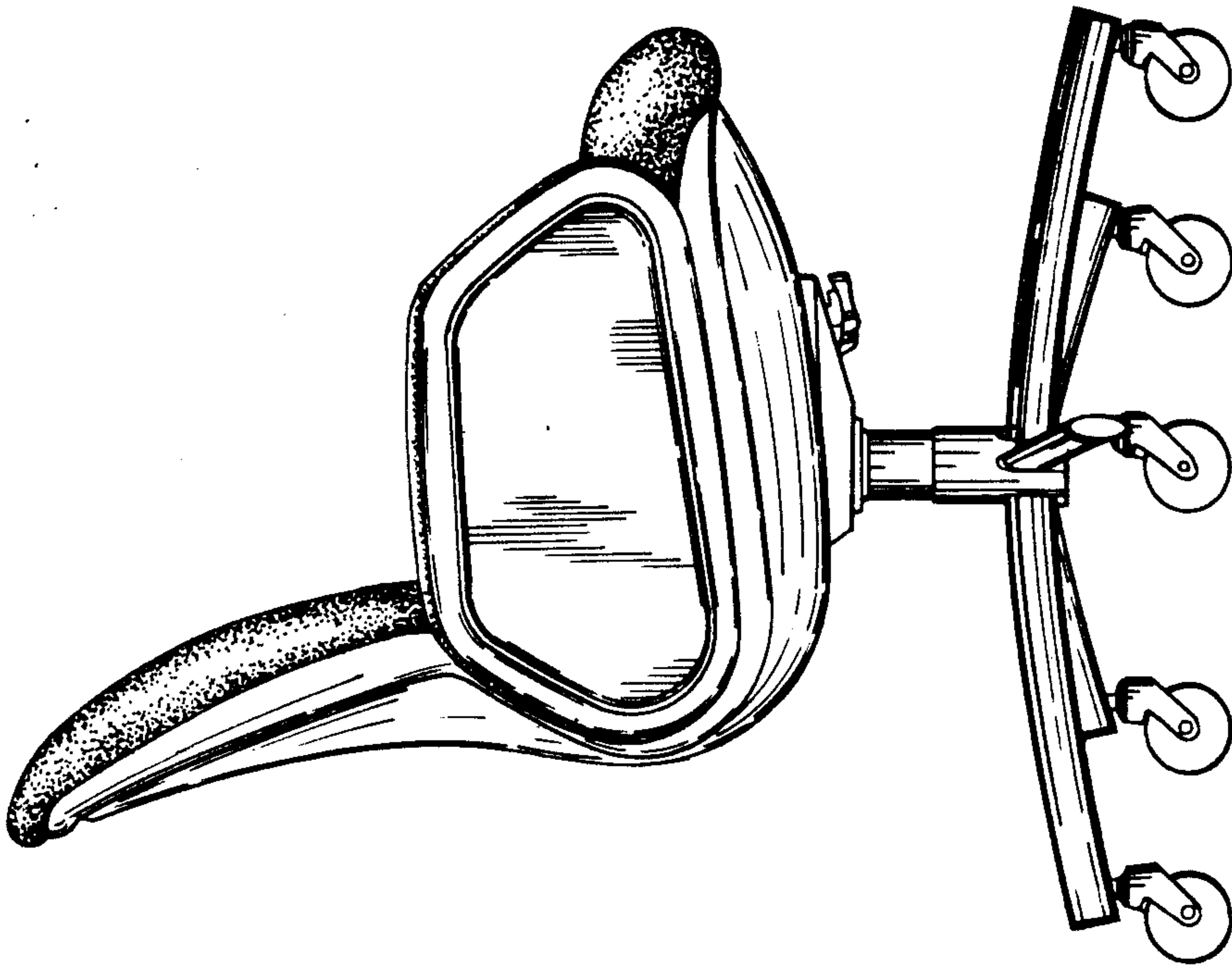


FIG. 4.

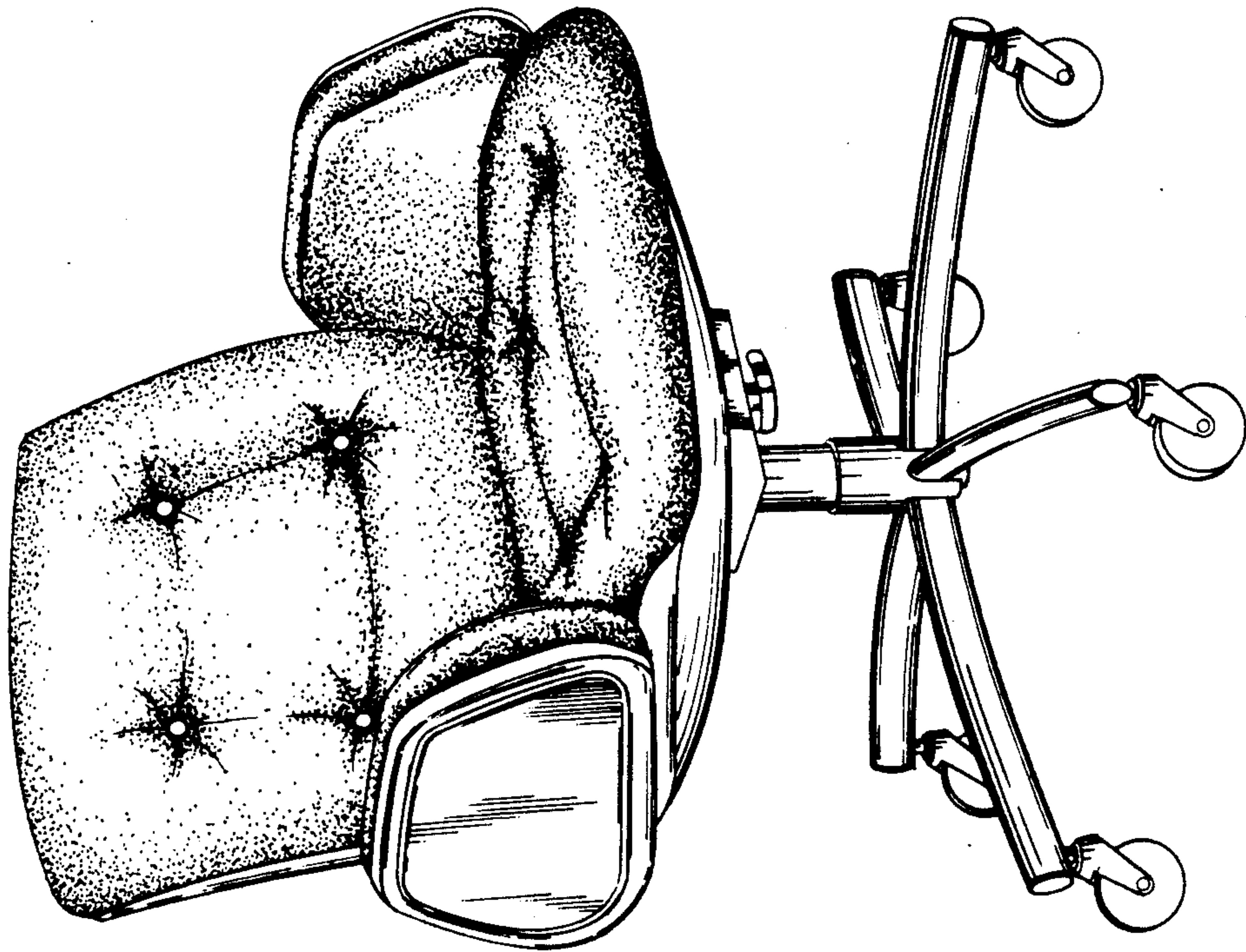


FIG. 8.

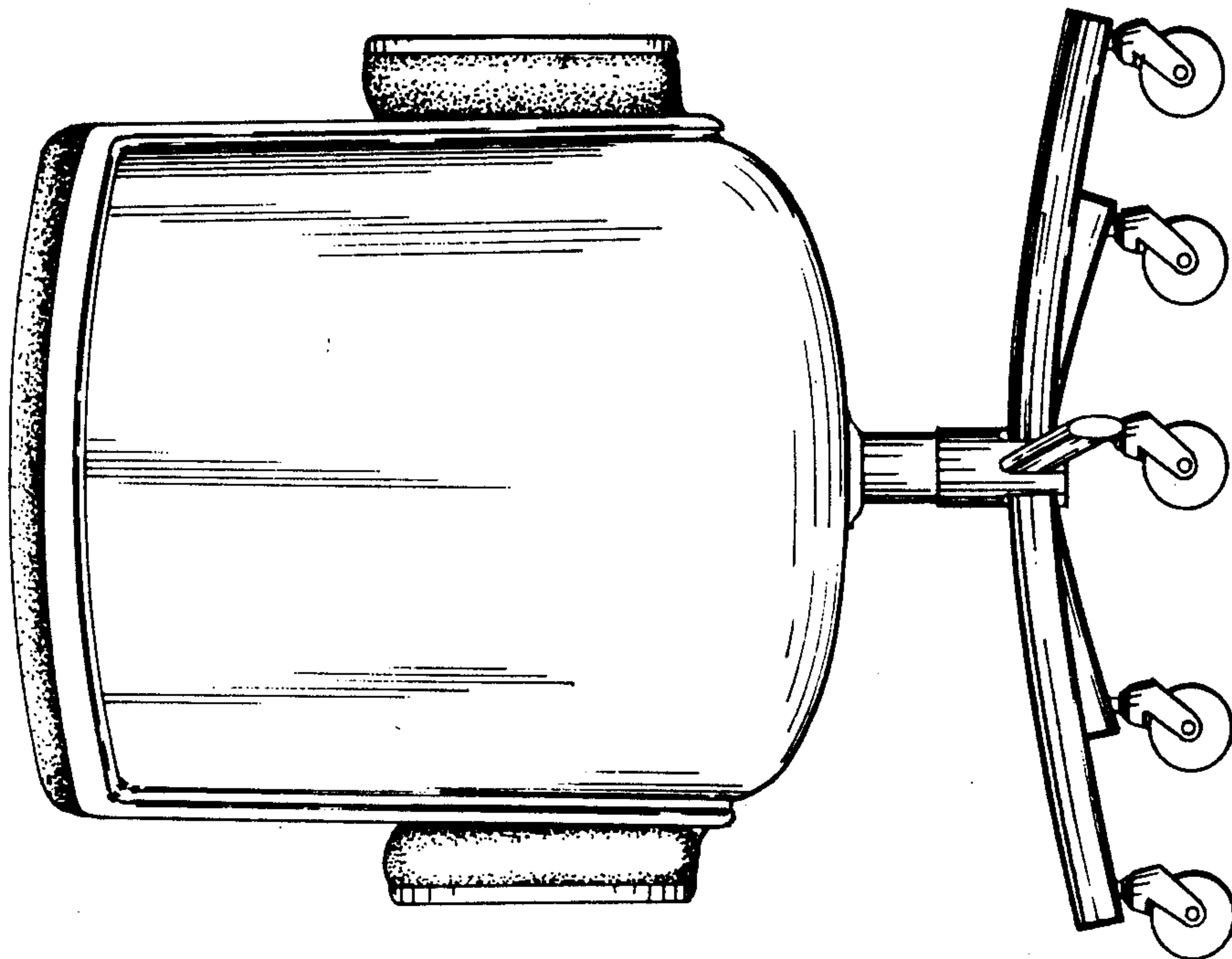


FIG. 5.

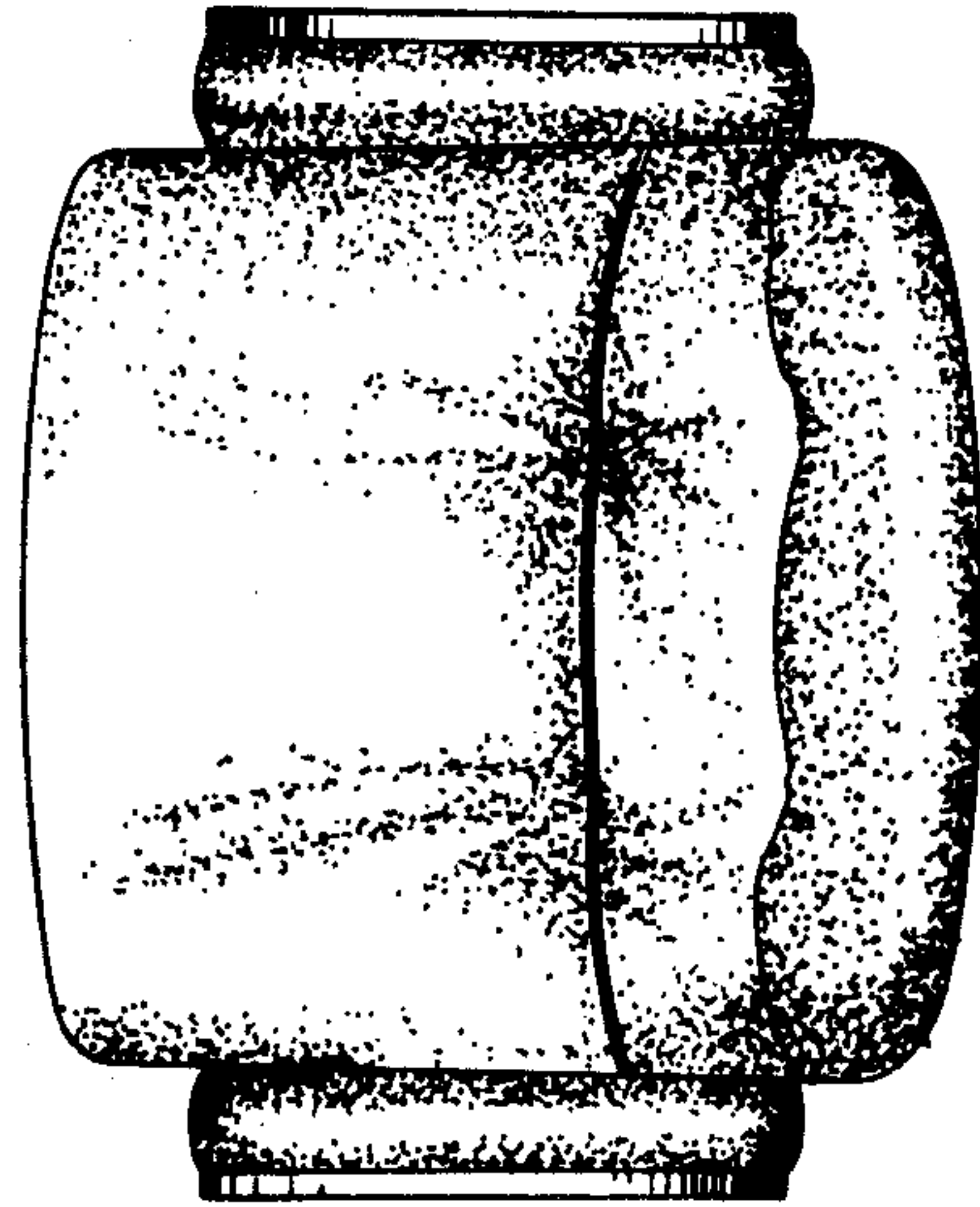


FIG. 6.

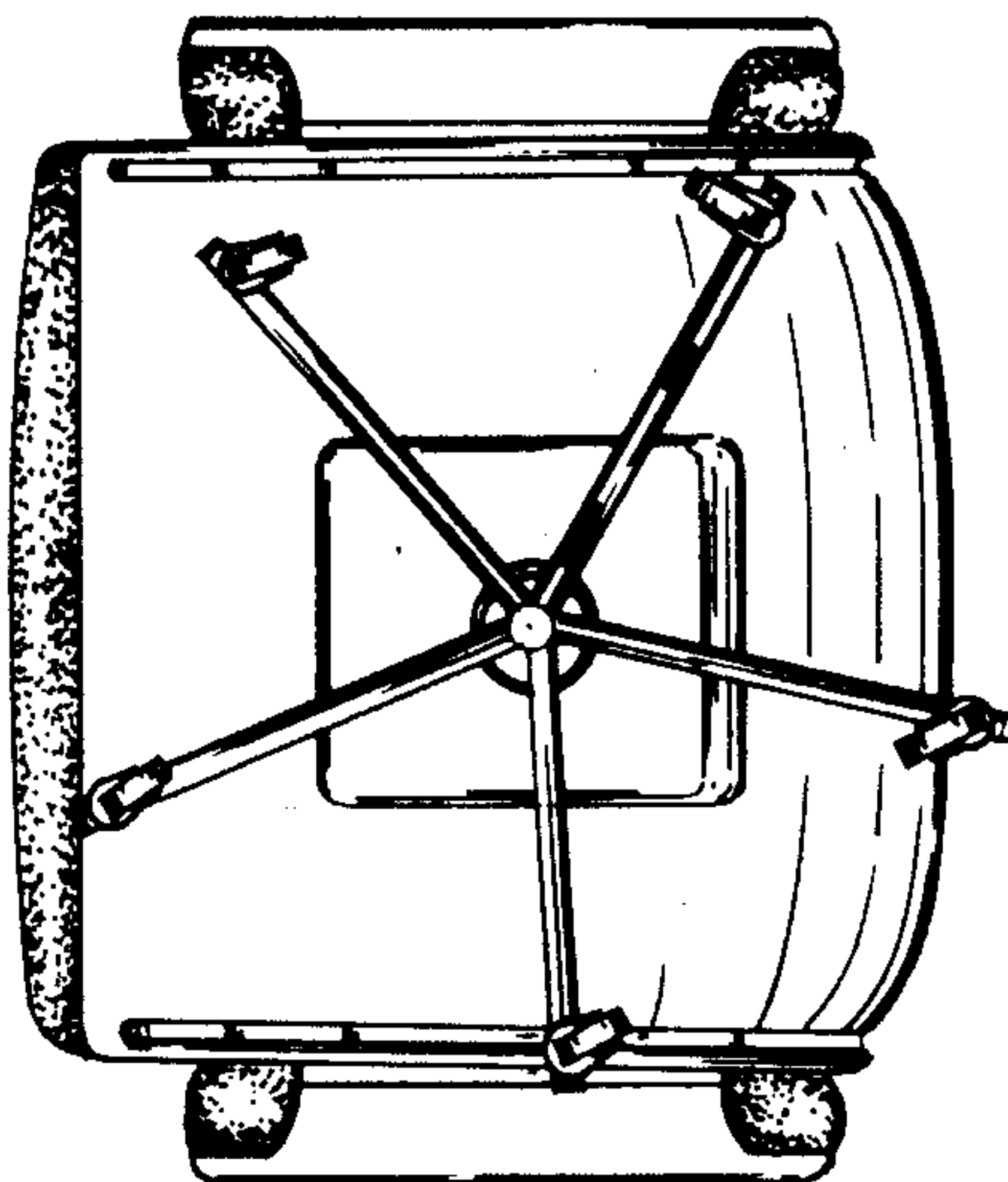


FIG. 7.

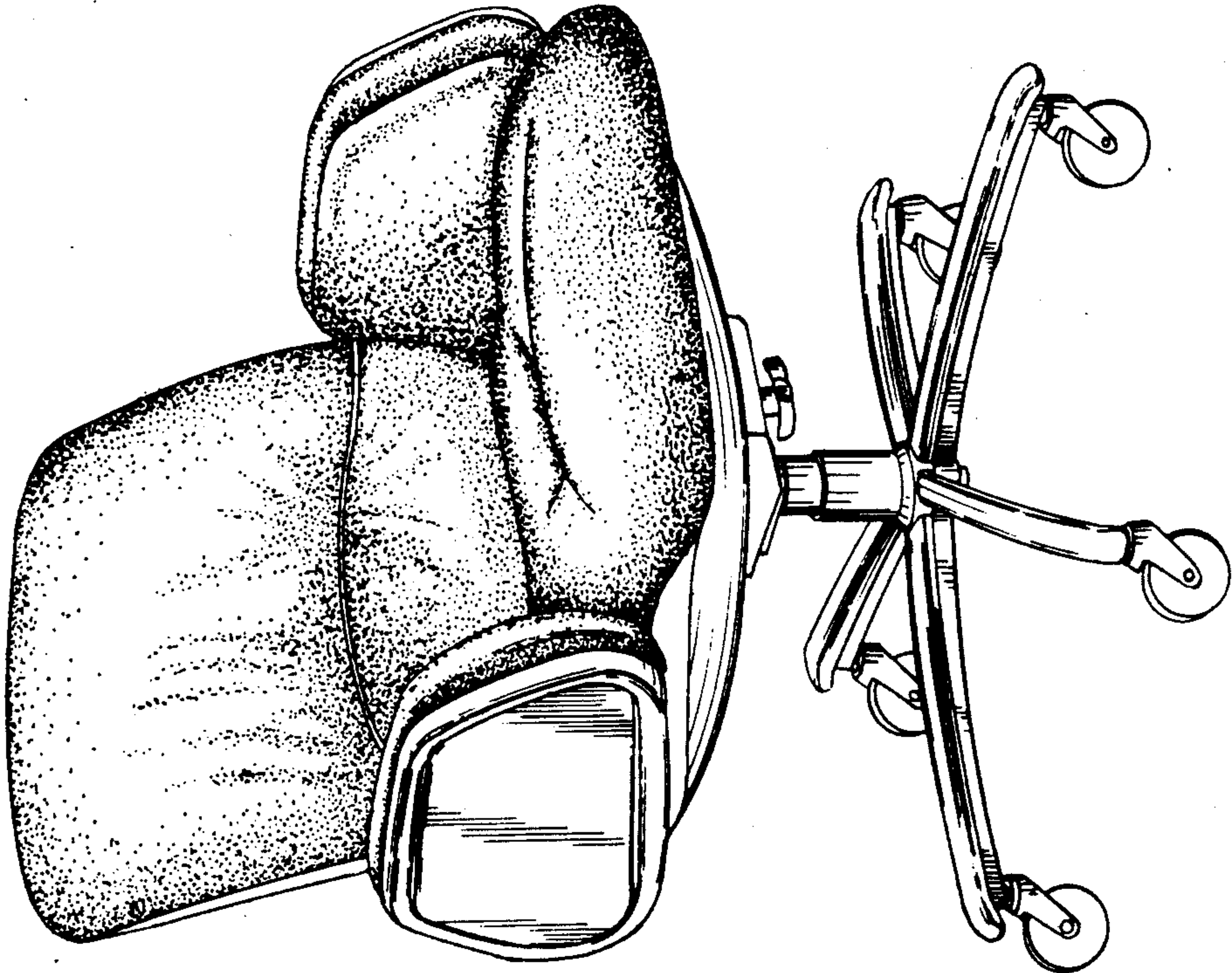


FIG. 10.

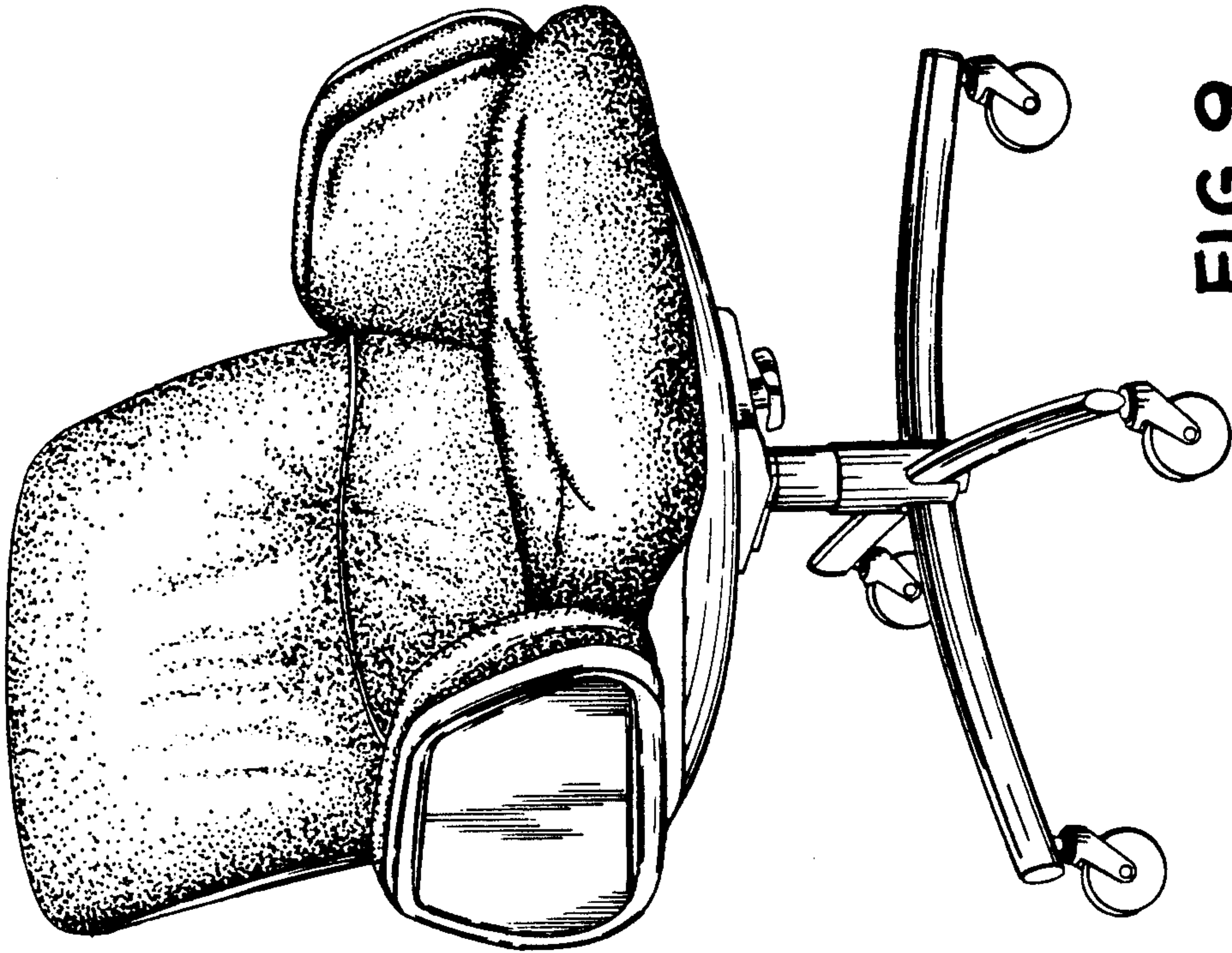


FIG. 9.