

[54] JEWELRY CASE

4,120,394 10/1978 Soltes 206/566

[75] Inventors: Lee C. White, Jr.; Warren E. Persky, both of Dallas, Tex.

OTHER PUBLICATIONS

Tory Cat. No. 50, 1/13/50, p. 13.
Vlchek Plastics Co. Cat. 5657-11 Item KV504.

[73] Assignee: Item House, Inc., Dallas, Tex.

Primary Examiner—George P. Word

[**] Term: 14 Years

[21] Appl. No.: 17,495

[57] CLAIM

[22] Filed: Mar. 5, 1979

The ornamental design for a jewelry case, as shown and described.

[51] Int. Cl. D3-02

[52] U.S. Cl. D3/75

[58] Field of Search D3/30, 34, 38, 42, 74, D3/75, 78; 206/566; D28/83; D9/230, 237, 240

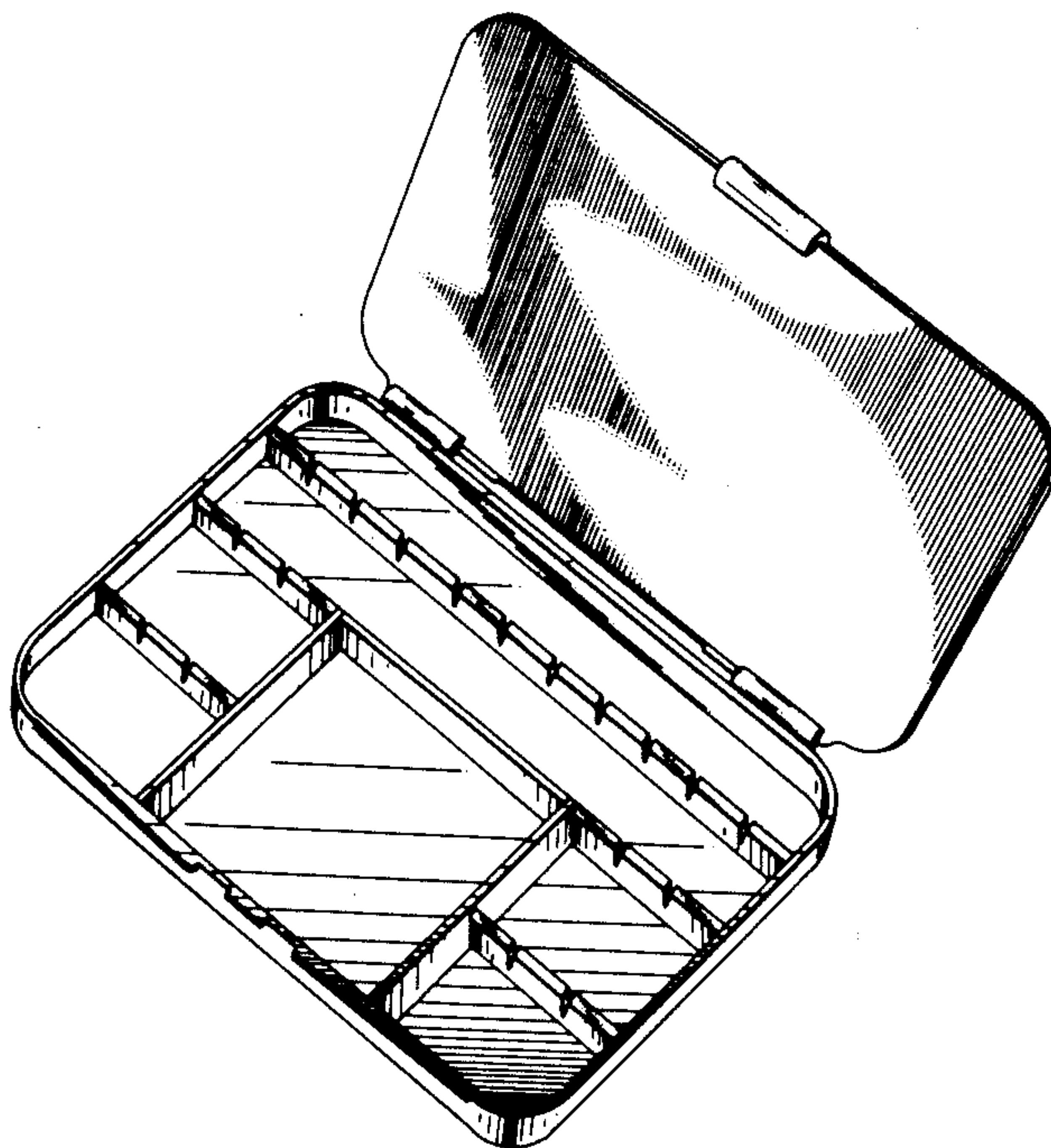
DESCRIPTION

FIG. 1 is a top plan view of a jewelry case showing our new design;
FIG. 2 is a right side elevational view thereof;
FIG. 3 is a front elevational view thereof;
FIG. 4 is a bottom plan view thereof;
FIG. 5 is a left side elevational view thereof;
FIG. 6 is a rear elevational view thereof; and
FIG. 7 is a perspective view of the jewelry case in an open position.

[56] References Cited

U.S. PATENT DOCUMENTS

D. 141,079	5/1945	Bogoff	D3/42
D. 237,841	11/1975	Bartolo	D3/75
D. 254,122	2/1980	Wintz	D3/74
1,456,613	5/1923	Bartels	206/566



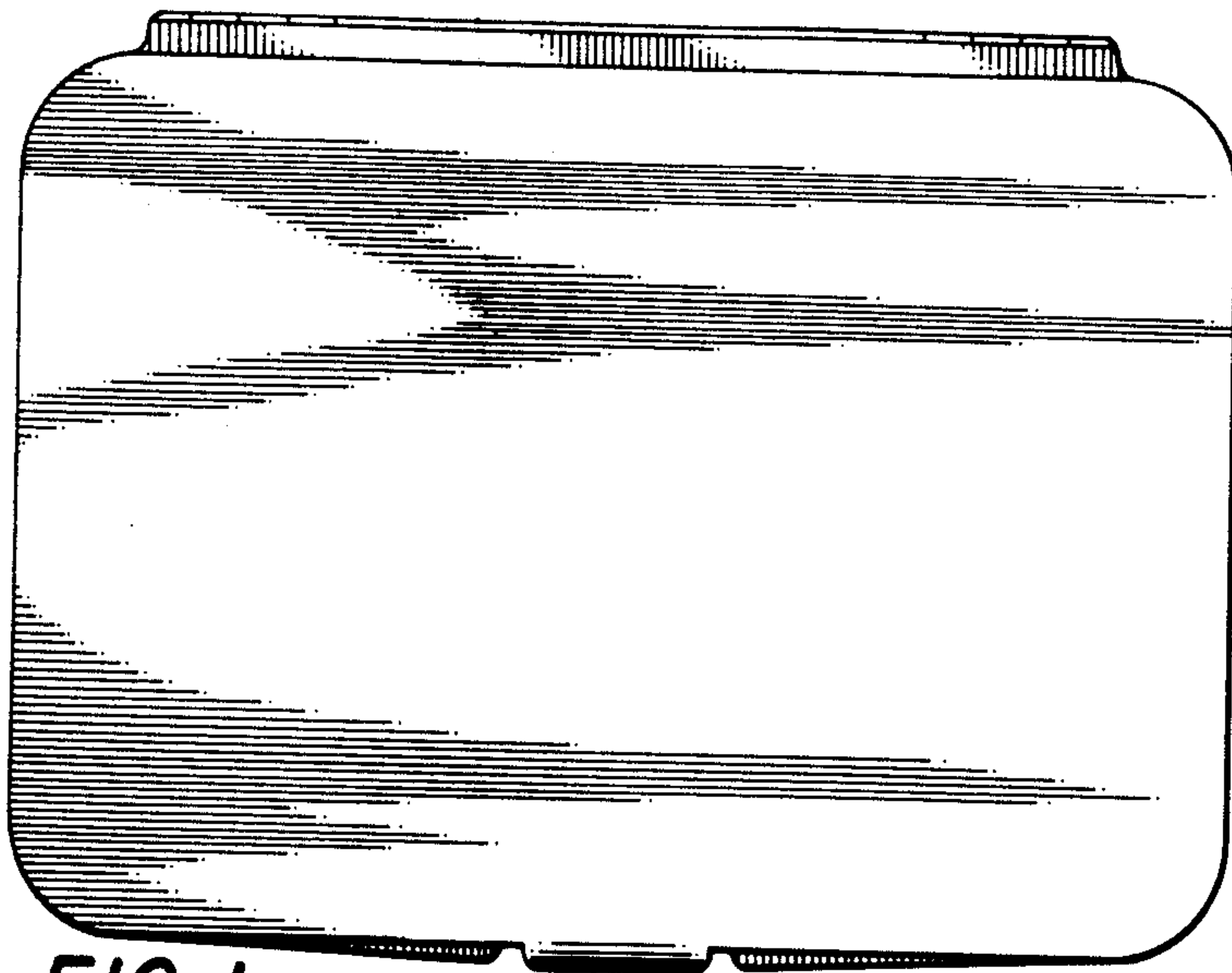


FIG. 1



FIG. 2

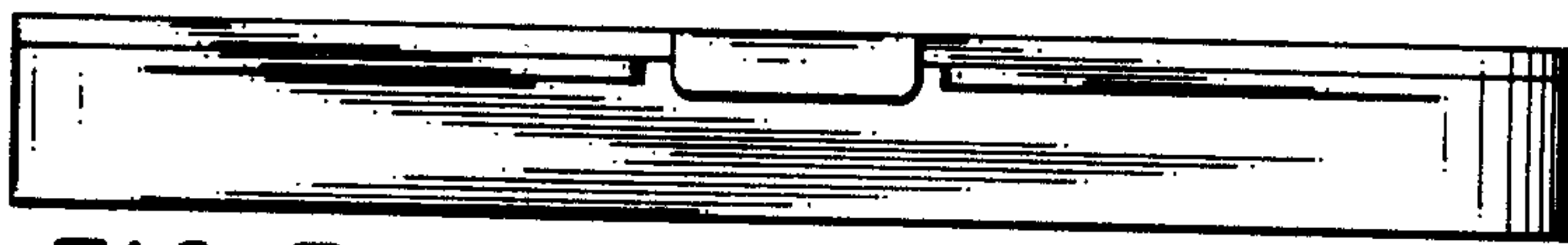


FIG. 3



FIG. 5

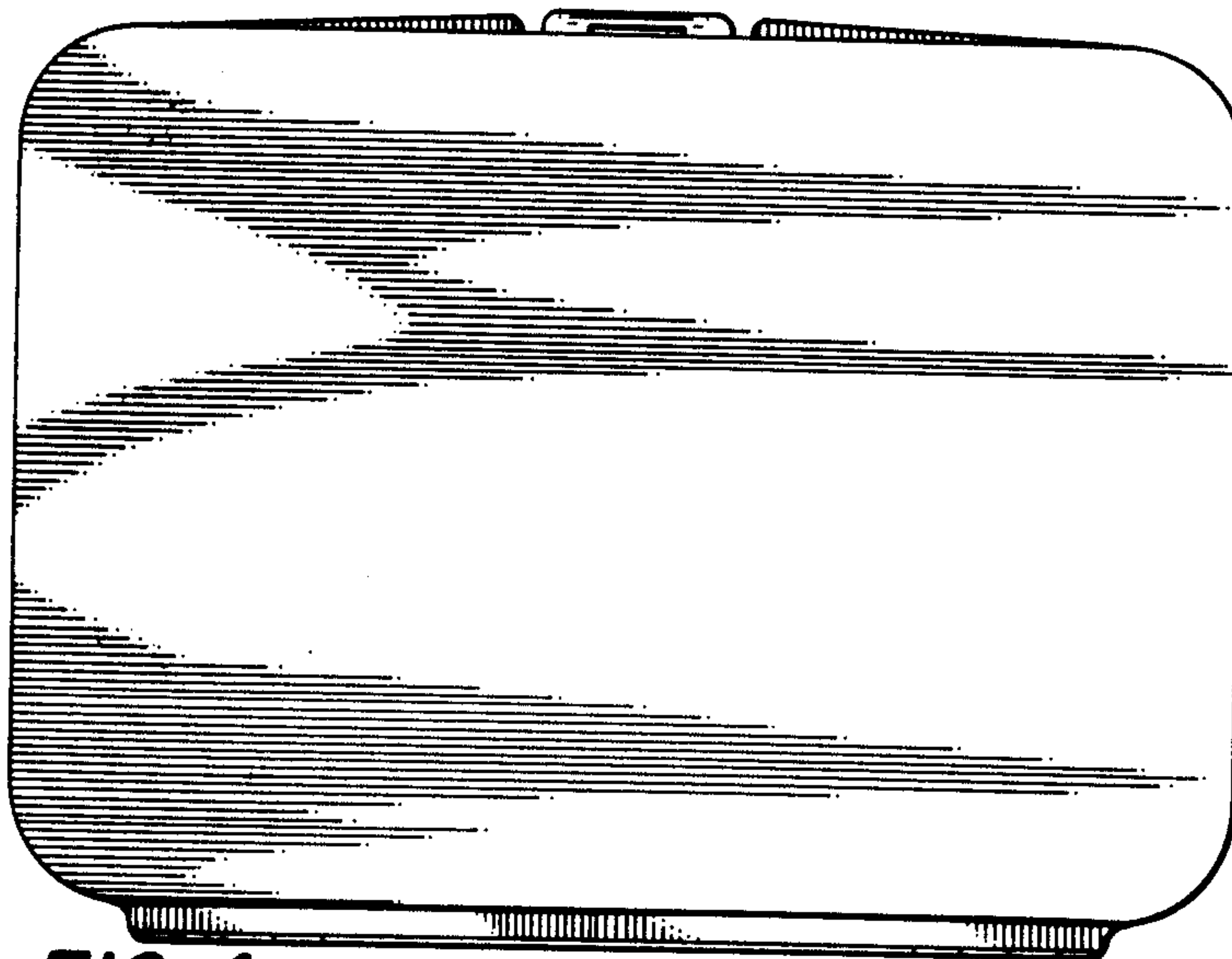


FIG. 4

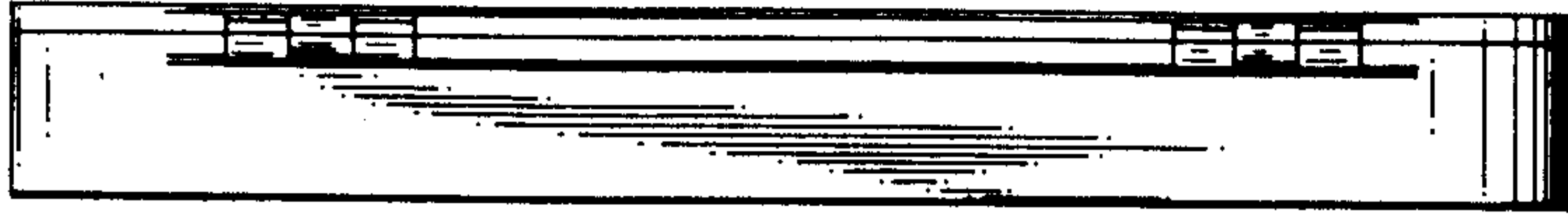


FIG. 6

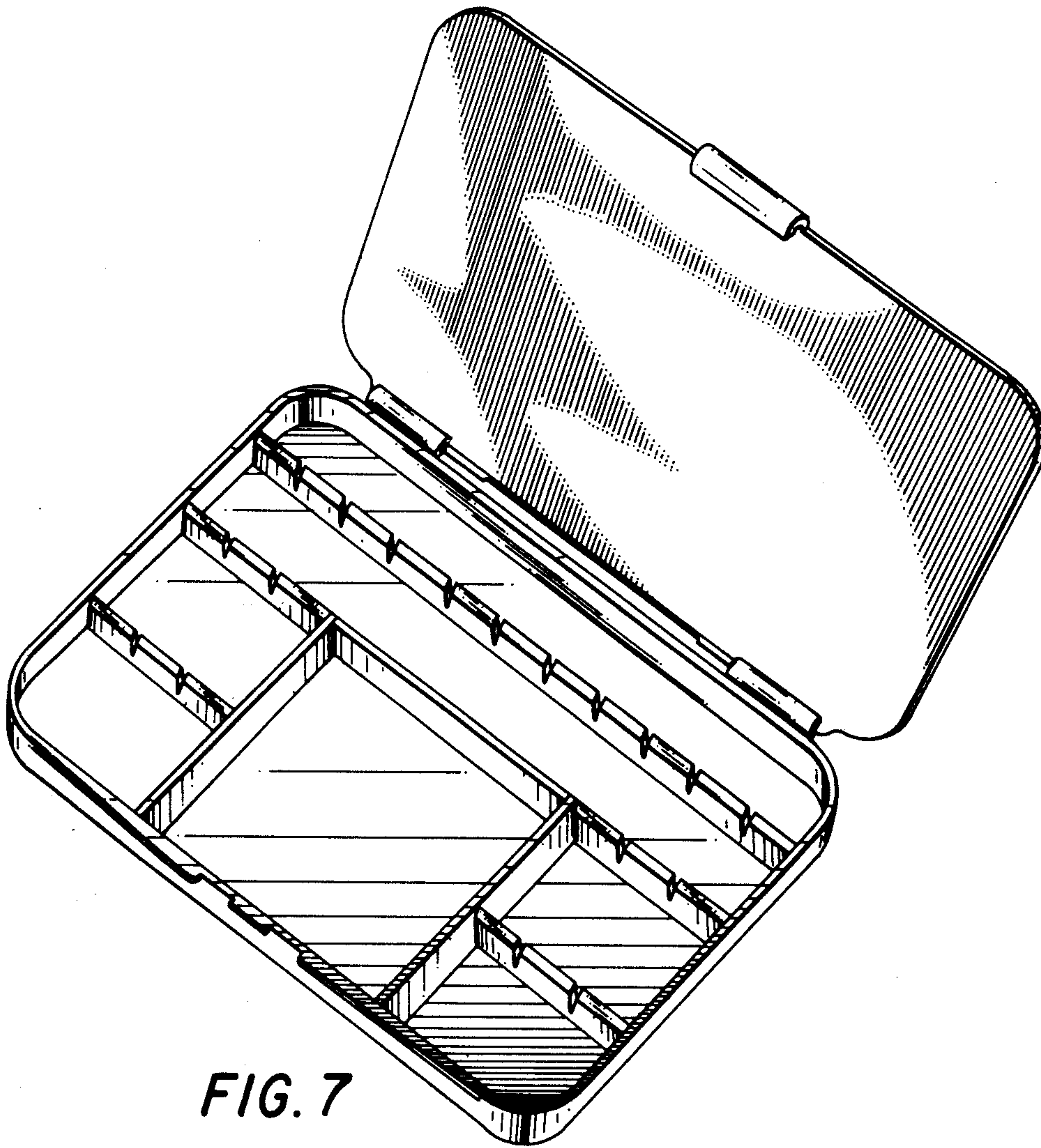


FIG. 7