

[54] ROOFING PANEL

[75] Inventor: Nigel G. Aktinson, Aldridge, England

[73] Assignee: British Industrial Plastics Limited, Manchester, England

[**] Term: 14 Years

[21] Appl. No.: 47,693

[22] Filed: Jun. 12, 1979

[30] Foreign Application Priority Data

Dec. 16, 1978 [GB] United Kingdom 53-987696

[51] Int. Cl. D25-01

[52] U.S. Cl. D25/74

[58] Field of Search D25/73, 74, 75, 76; D92/25; 52/94, 518, 537, 814

[56]

References Cited

U.S. PATENT DOCUMENTS

D. 21,313	1/1892	Faulhaber	D25/75
D. 205,008	1/1966	Lee et al.	D25/74
D. 214,665	7/1969	Tischuk	D25/74
3,041,784	7/1962	Facer et al.	D25/74 X

Primary Examiner—A. Hugo Word

Attorney, Agent, or Firm—Cushman, Darby & Cushman

[57]

CLAIM

The ornamental design for a roofing panel, as shown.

DESCRIPTION

FIG. 1 is a perspective view of the roofing panel of the invention.

FIG. 2 is a cross-sectional view of the roofing panel of FIG. 1, taken on the line 2—2 thereof.

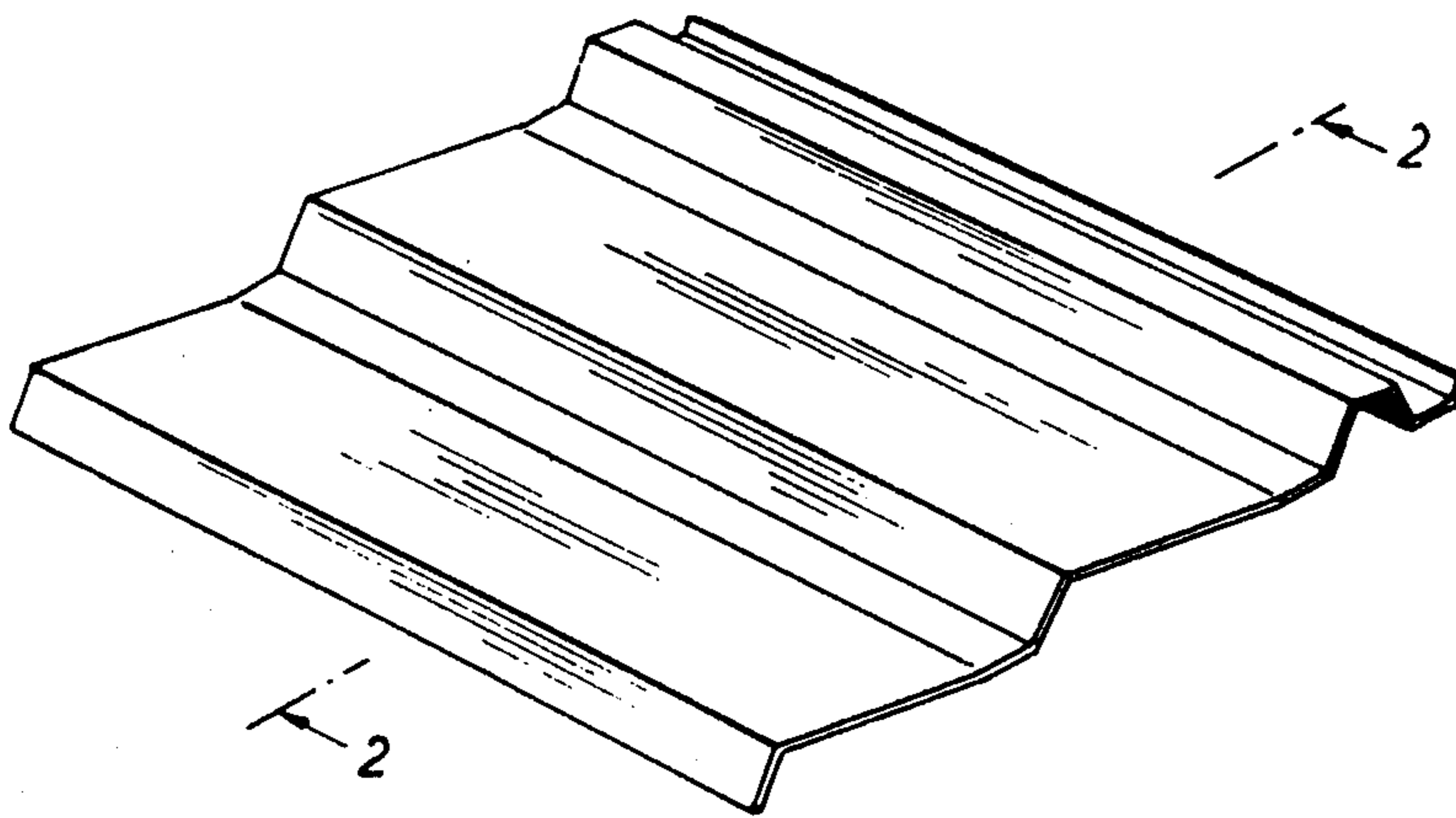


FIG. 1

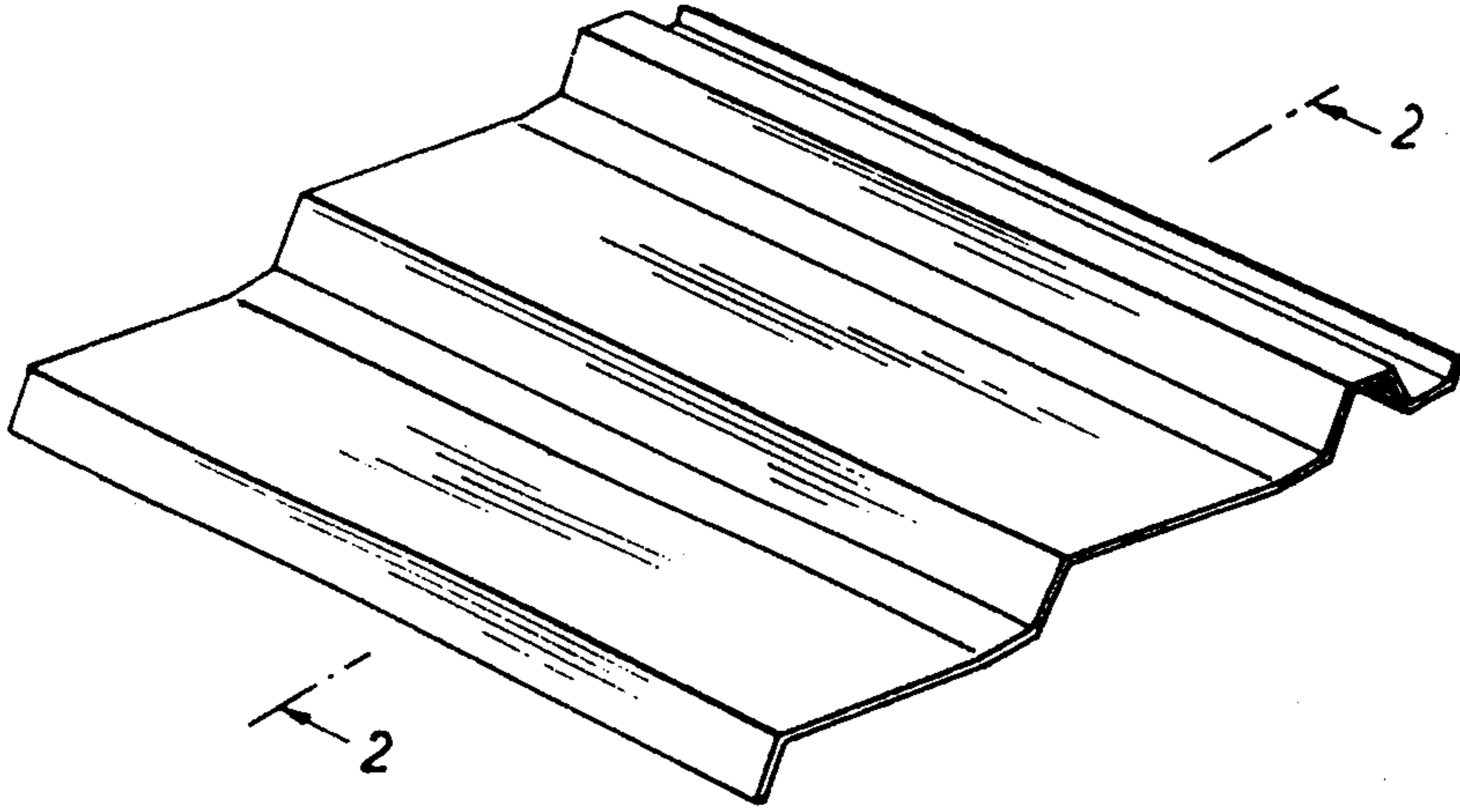


FIG. 2

