

[54] **POCKET-SIZE CENTRIFUGE**
[75] Inventors: **Wilhelm Pross; Franz Mühlböck,**
both of Munich; **Otto Wienchol,**
Pullach, all of Fed. Rep. of Germany

2,745,217 5/1956 Gold et al. 233/1 R X
3,906,890 9/1975 Amos 233/1 R X
4,022,375 5/1977 Suovantemi 233/1 R

[73] Assignee: **Compur-Electronic Gesellschaft mit
beschränkter Haftung, Munich, Fed.
Rep. of Germany**

Primary Examiner—Bernard Ansher
Attorney, Agent, or Firm—Stonebraker, Shepard &
Stephens

[**] Term: **14 Years**

[57] **CLAIM**
The ornamental design for a pocket size centrifuge,
substantially as shown and described.

[21] Appl. No.: **926,138**

[22] Filed: **Jul. 19, 1978**

[30] **Foreign Application Priority Data**

Feb. 9, 1978 [DE] Fed. Rep. of Germany 11242

[51] **Int. Cl.** **D24-02**

[52] **U.S. Cl.** **D24/22; 233/1 R**

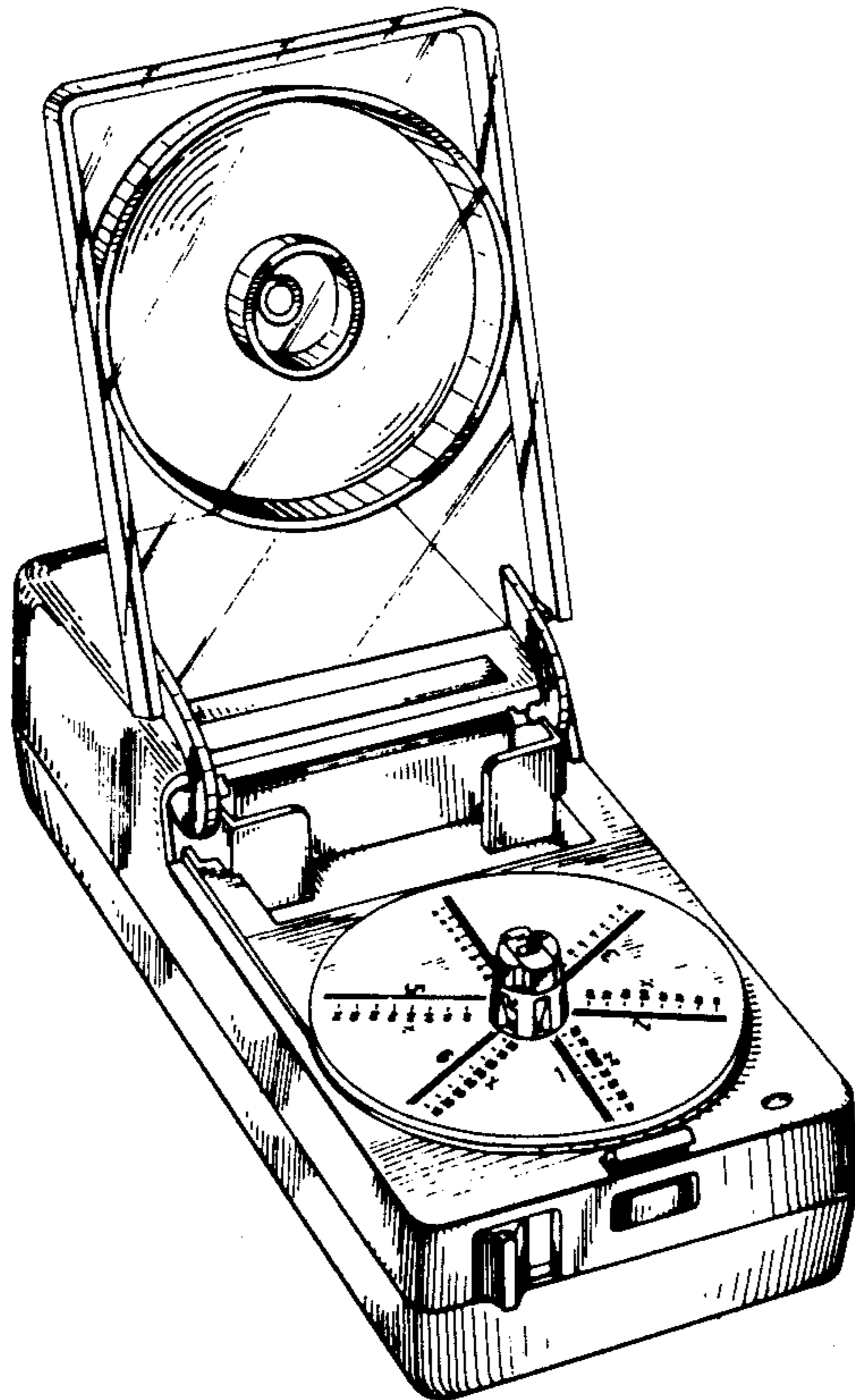
[58] **Field of Search** **D24/22; 233/1 R**

DESCRIPTION
FIG. 1 is a top plan view of a pocket size centrifuge,
showing our new design;
FIG. 2 is a side elevational view of the left side thereof,
with the cover in open position;
FIG. 3 is an inverted side elevational view of the right
side thereof;
FIG. 4 is an inverted end elevational view of the rear
end thereof;
FIG. 5 is an elevational view of the front end thereof;
FIG. 6 is a bottom plan view thereof; and
FIG. 7 is a perspective view thereof, with the cover
open.

[56] **References Cited**

U.S. PATENT DOCUMENTS

D. 211,466 6/1968 Gulotta D24/22



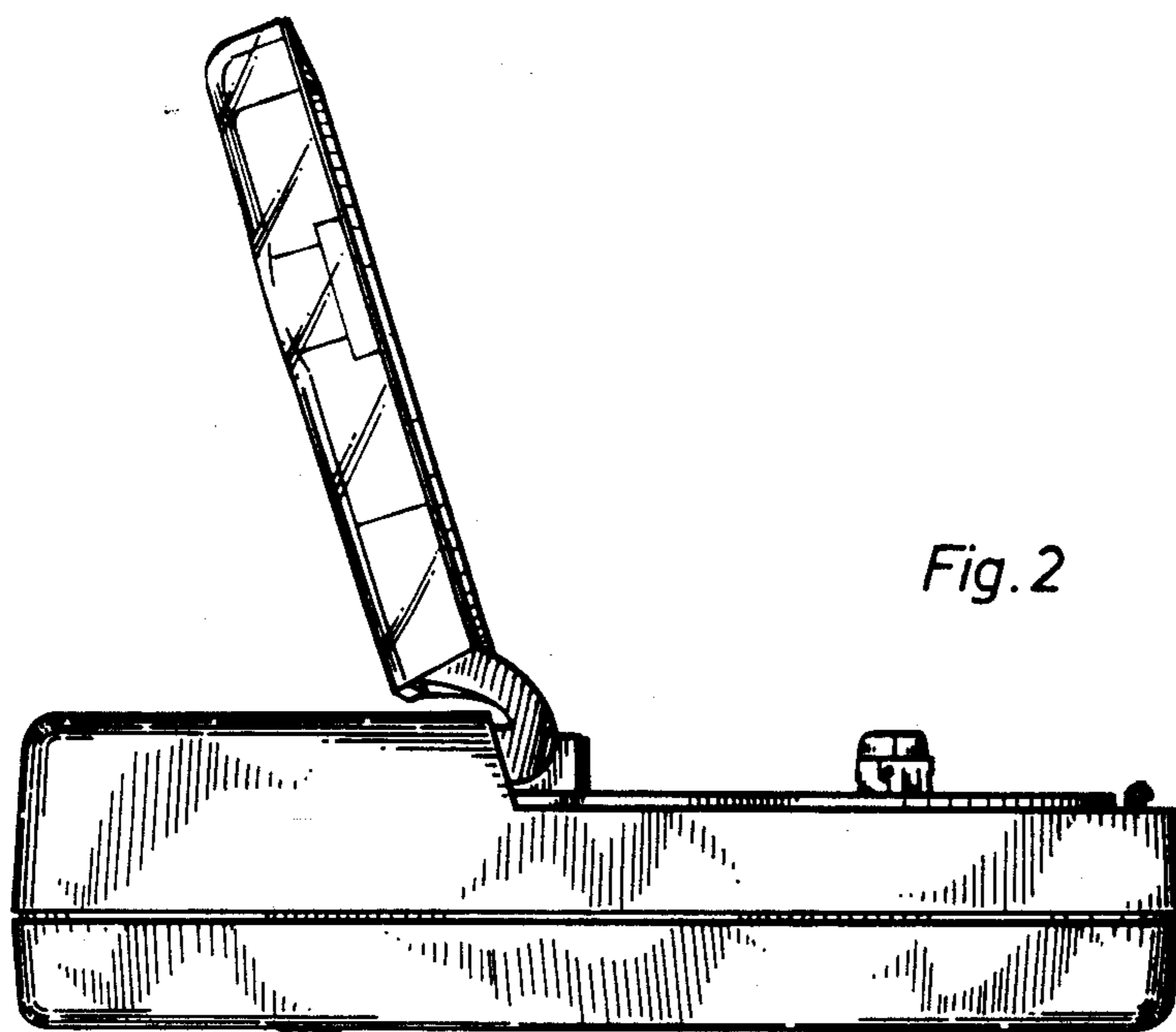


Fig. 2

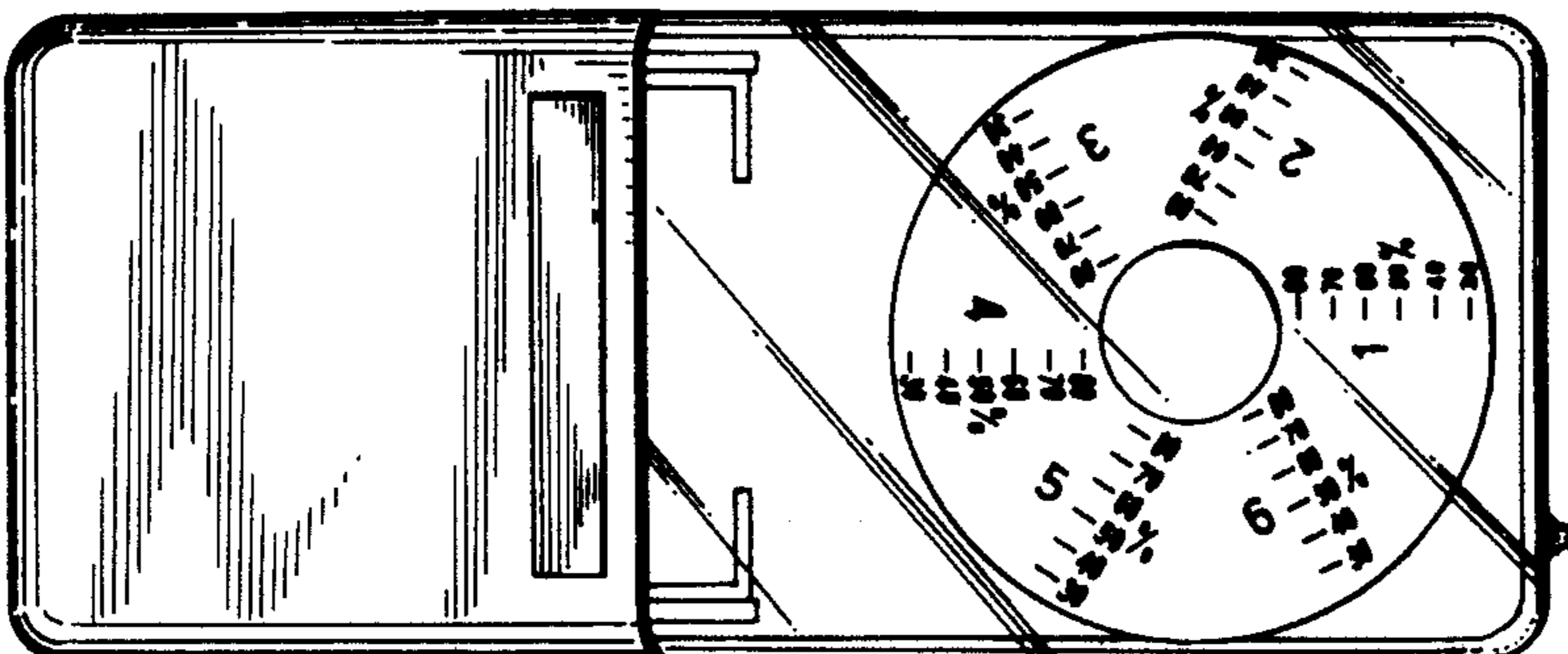


Fig. 1

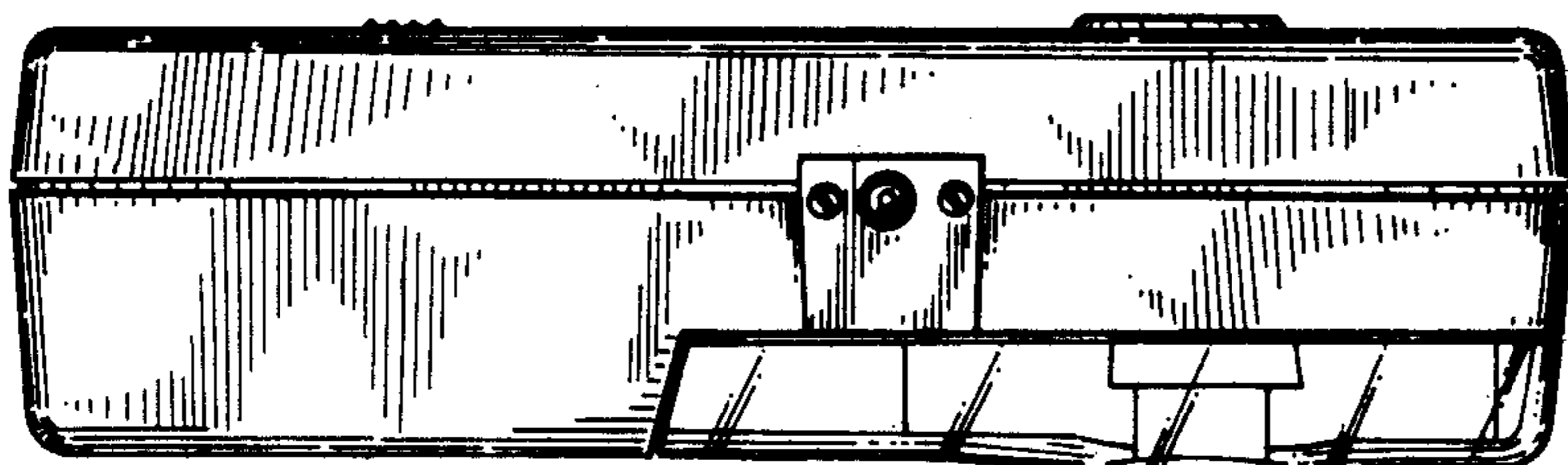


Fig. 3

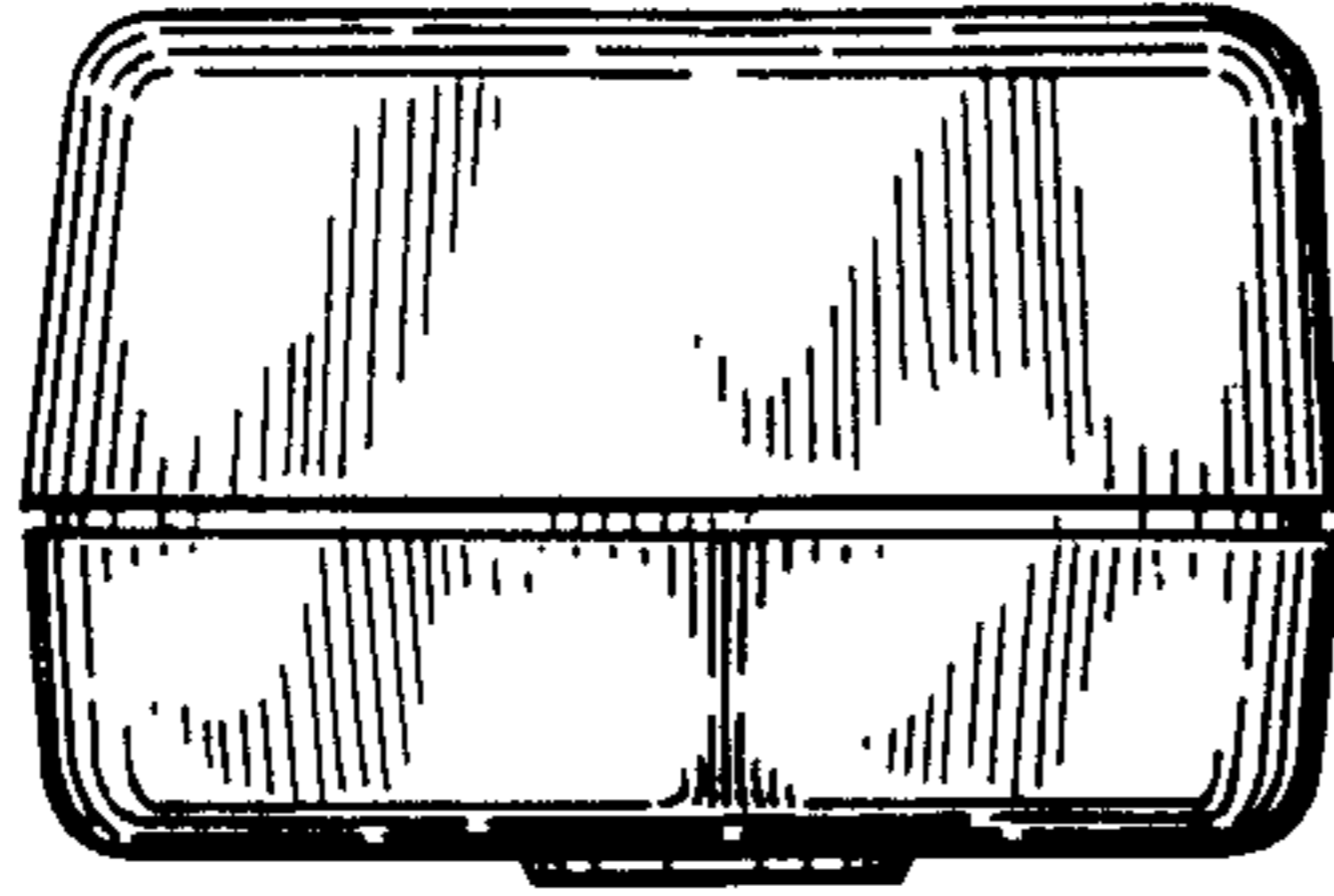


Fig. 4

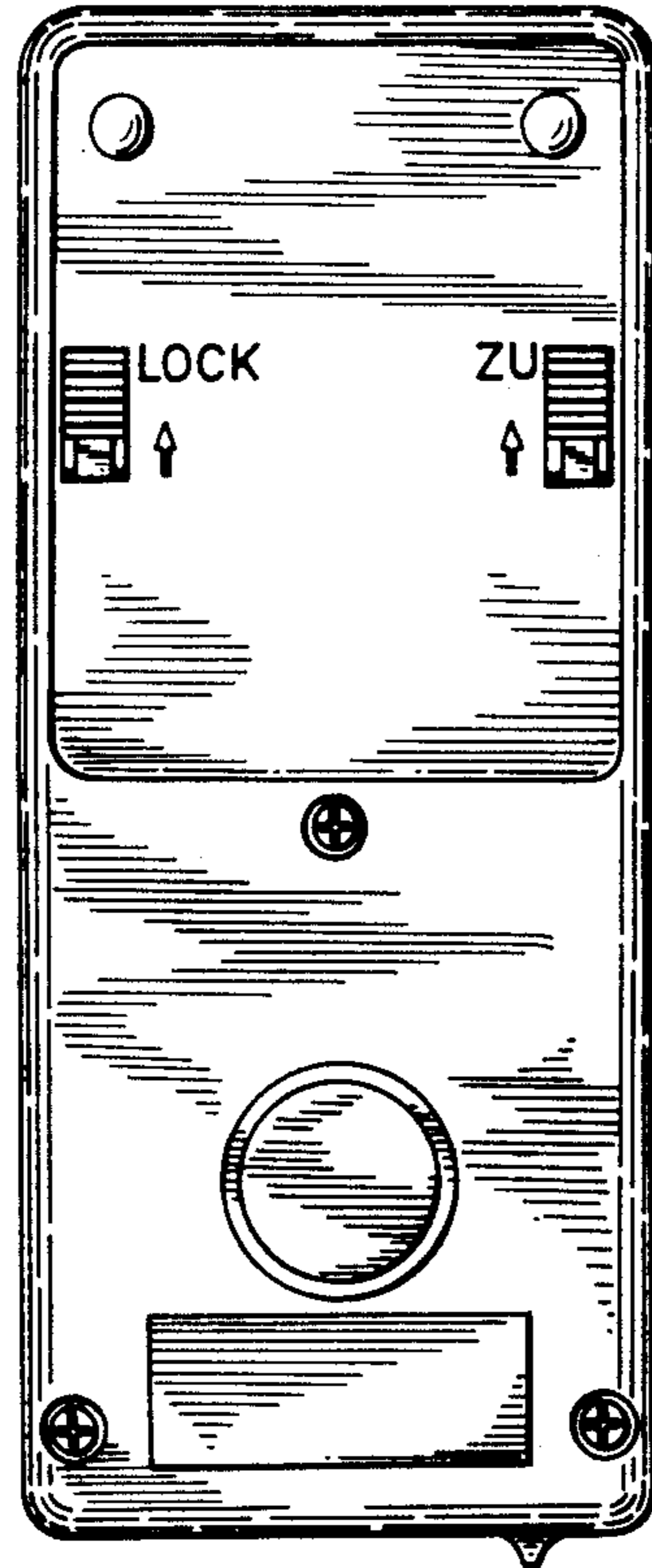


Fig. 6

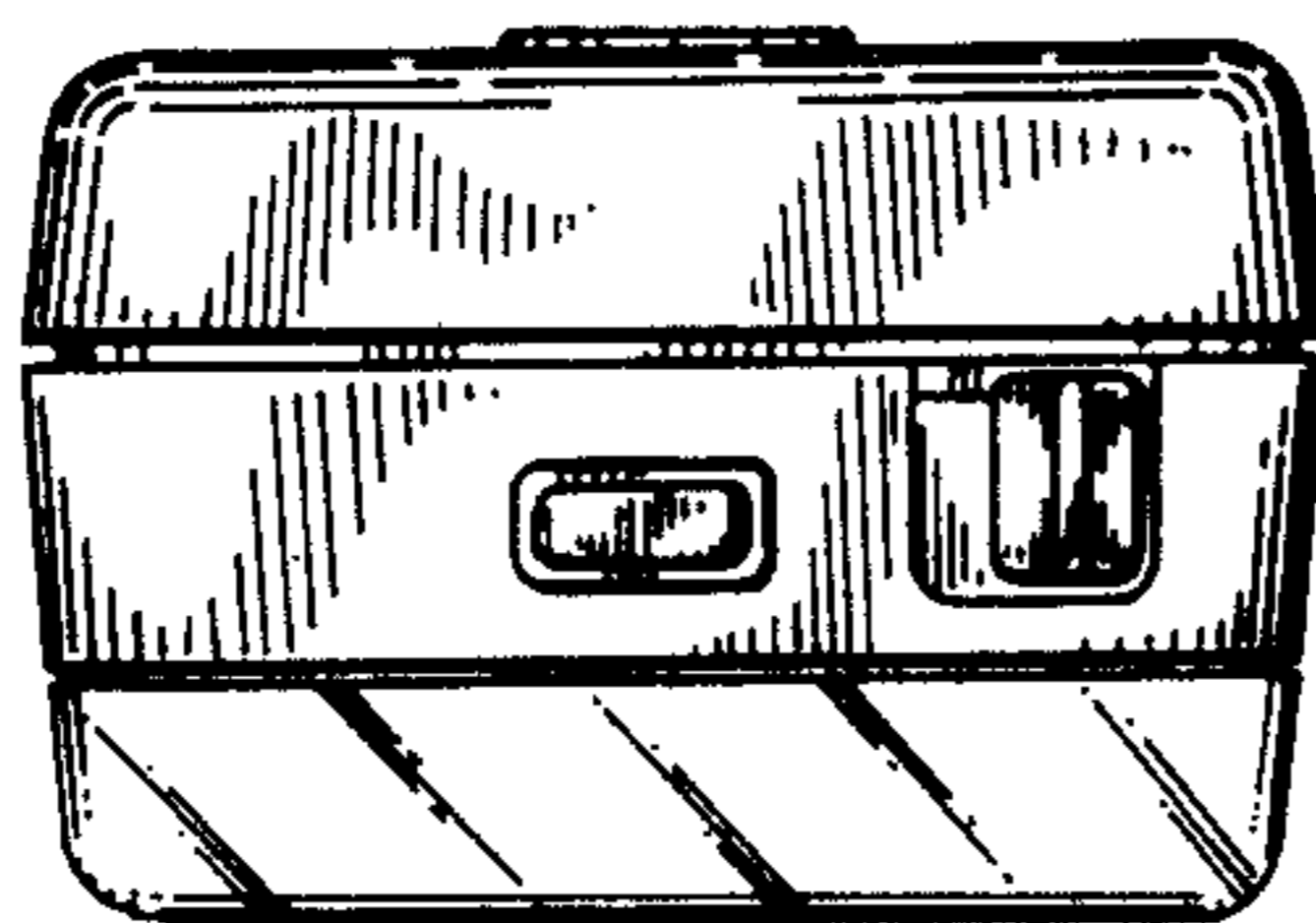


Fig. 5

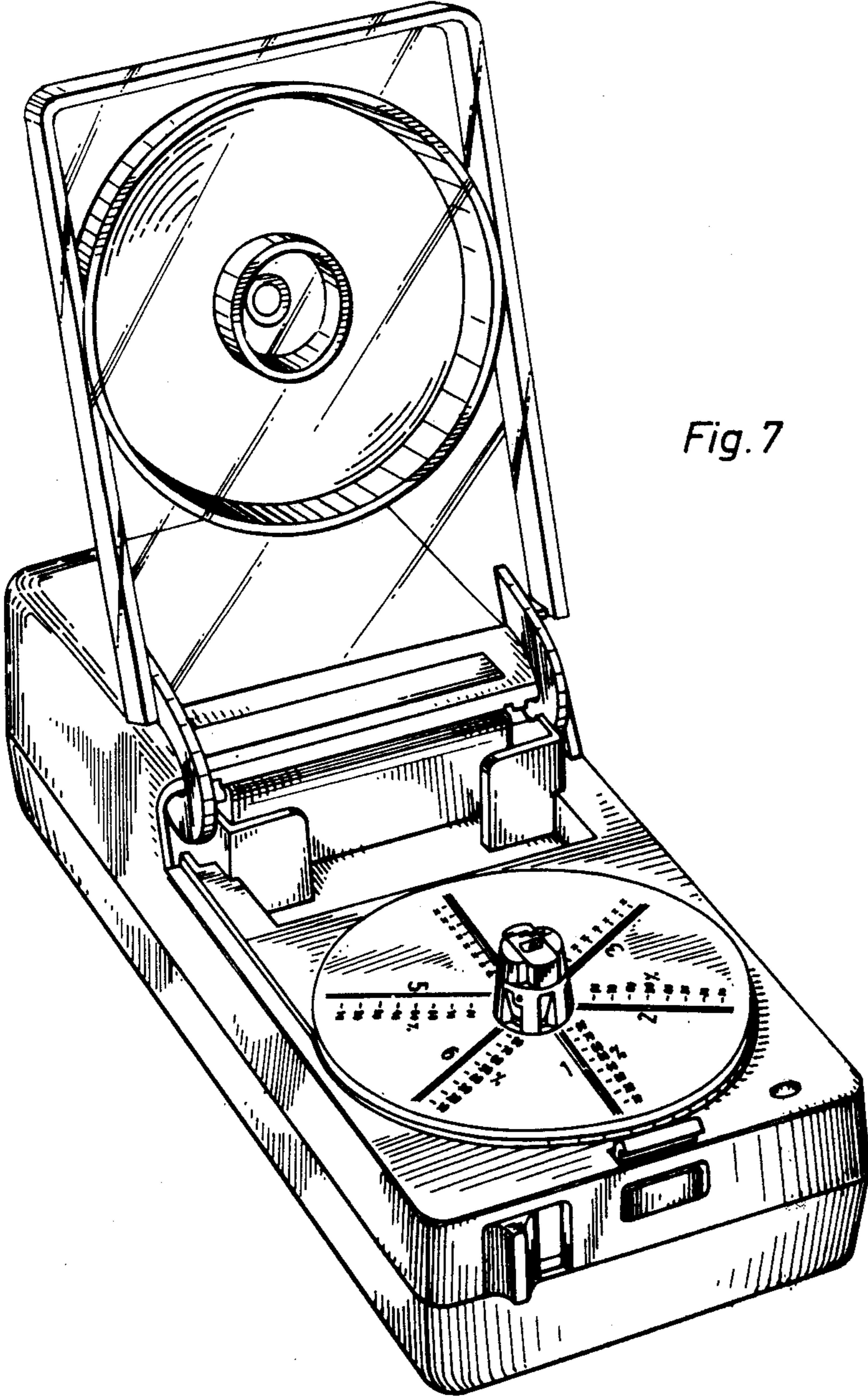


Fig. 7