

[54] PORTABLE SINK

[76] Inventor: Donna G. Knox, 1241 McClellan, Detroit, Mich. 48214

[\*\*] Term: 14 Years

[21] Appl. No.: 36,789

[22] Filed: May 7, 1979

[51] Int. Cl. .... D23-02

[52] U.S. Cl. .... D23/62

[58] Field of Search ..... D23/48, 58-64; 4/619, 638, 639, 641, 642, 654, 657.

[56] References Cited

U.S. PATENT DOCUMENTS

D. 160,067	9/1950	Brown, Jr. ....	D23/62
D. 215,214	9/1969	Huling .....	D23/58
D. 223,667	5/1972	DiPierro et al. ....	D23/58
D. 237,617	11/1975	McIntosh .....	D23/58
3,591,871	7/1971	Segal .....	D23/48 X

OTHER PUBLICATIONS

Mobile Home/Travel Trailer Dealer, Apr. 20, 1968, p. 165, top left item.

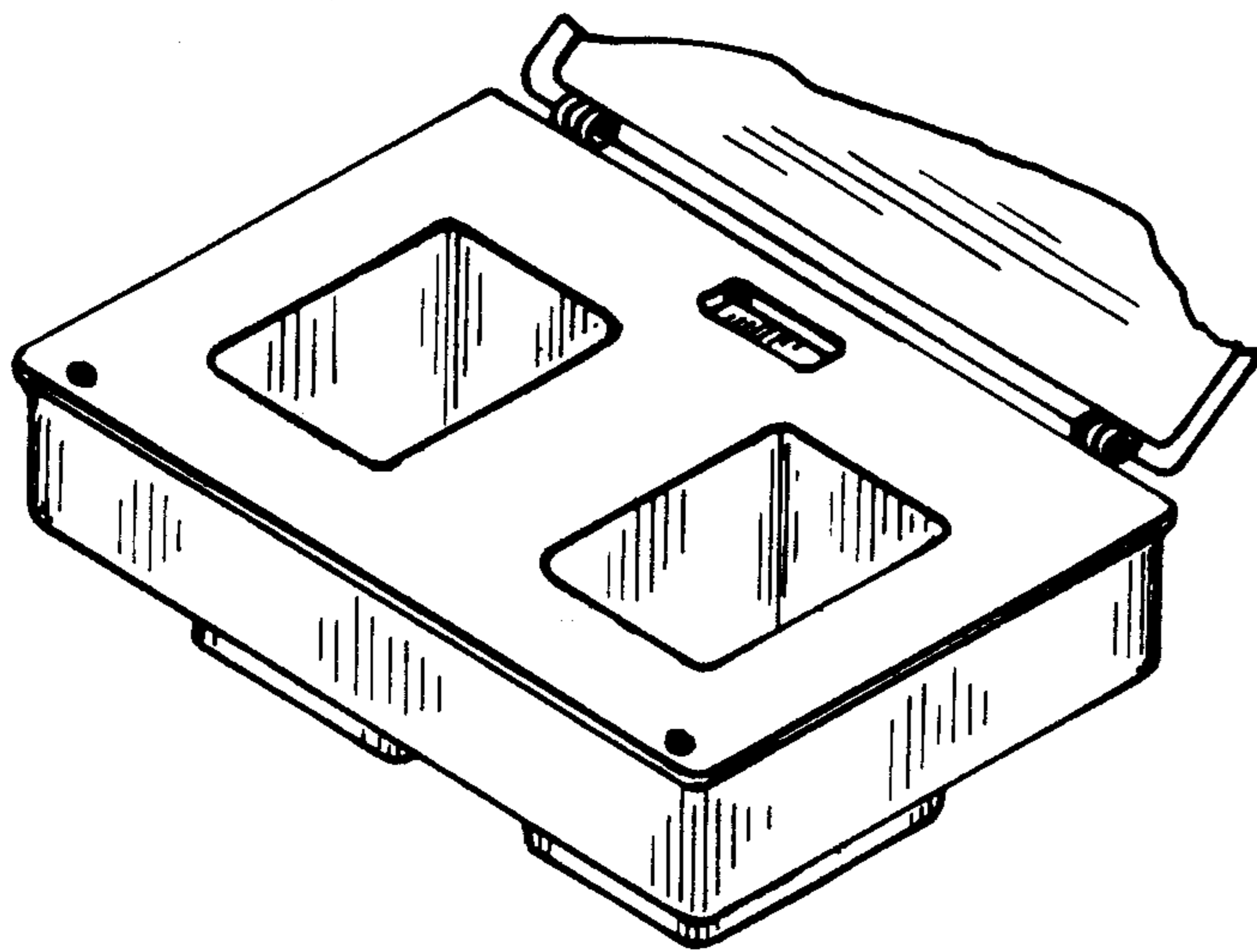
Primary Examiner—James R. Largen  
Attorney, Agent, or Firm—Harry R. Dumont

[57] CLAIM

The ornamental design for a portable sink, as shown and described.

DESCRIPTION

FIG. 1 is a perspective view of a portable sink showing my new design with the cover open and broken away for convenience of illustration;  
FIG. 2 is a top plan view thereof with the cover closed;  
FIG. 3 is a front elevational view of FIG. 2;  
FIG. 4 is a top plan view thereof with the cover removed;  
FIG. 5 is a left side elevational view of FIG. 4;  
FIG. 6 is a right side elevational view of FIG. 4; and  
FIG. 7 is a front elevational view of FIG. 4.



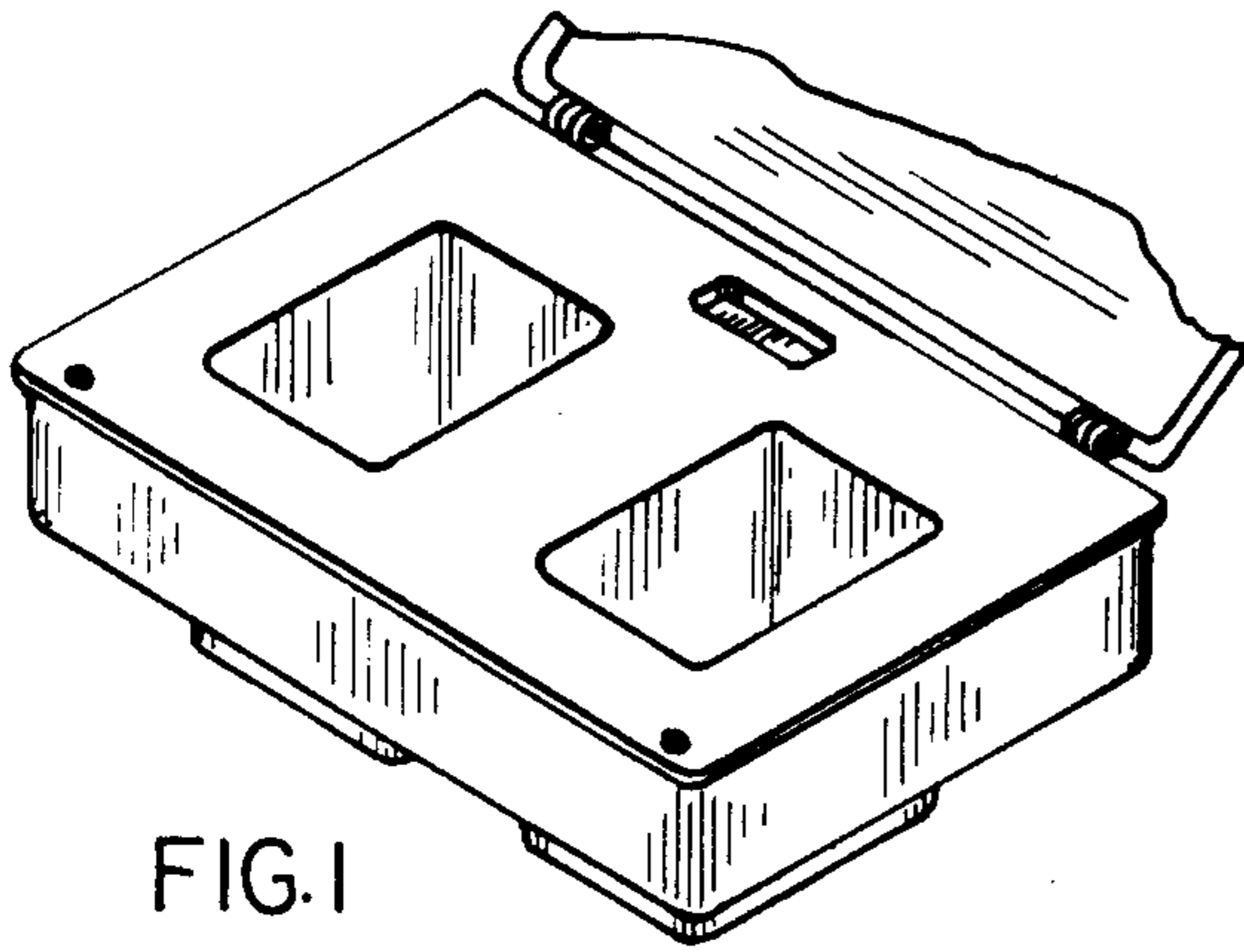


FIG. 1

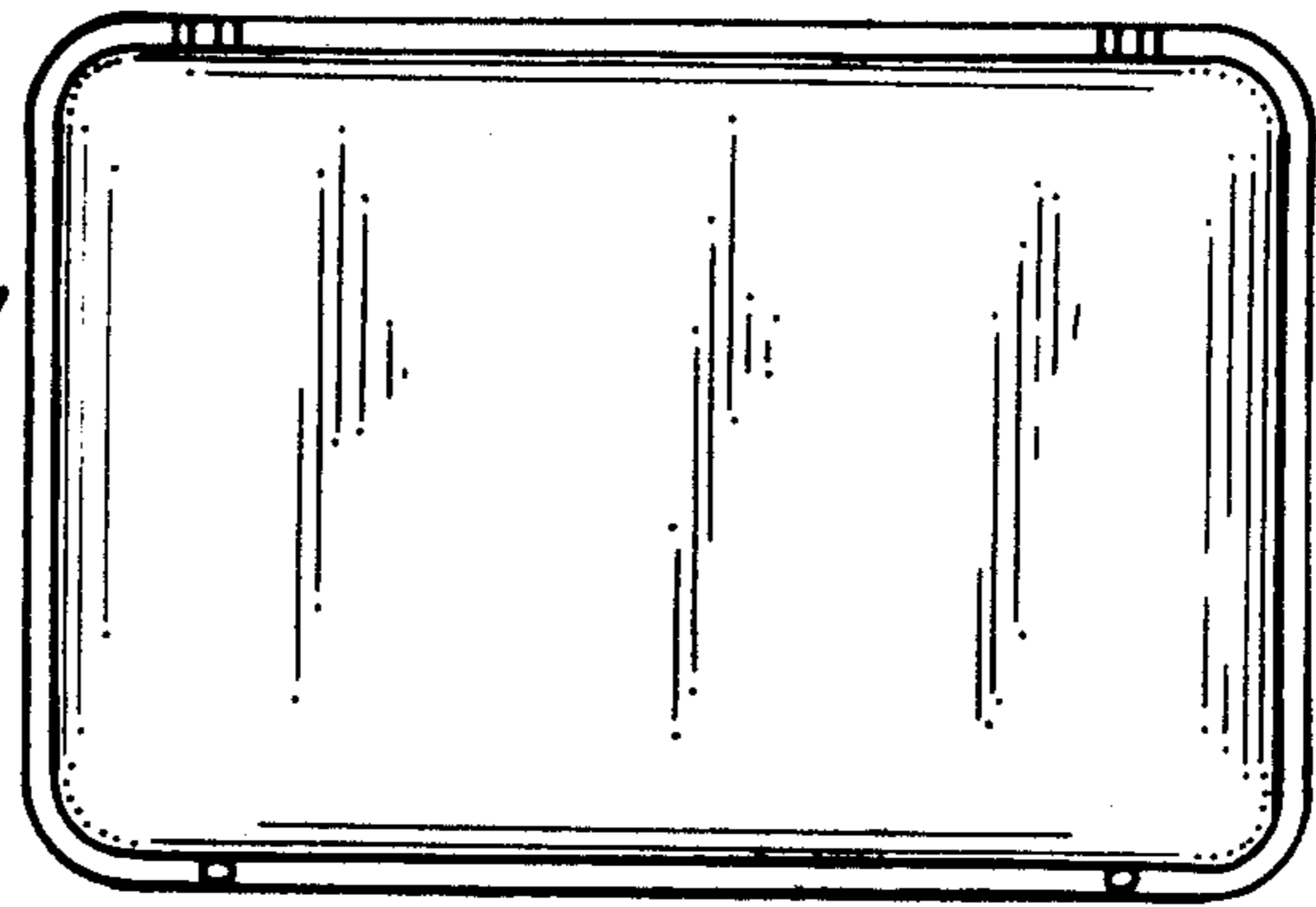


FIG. 2

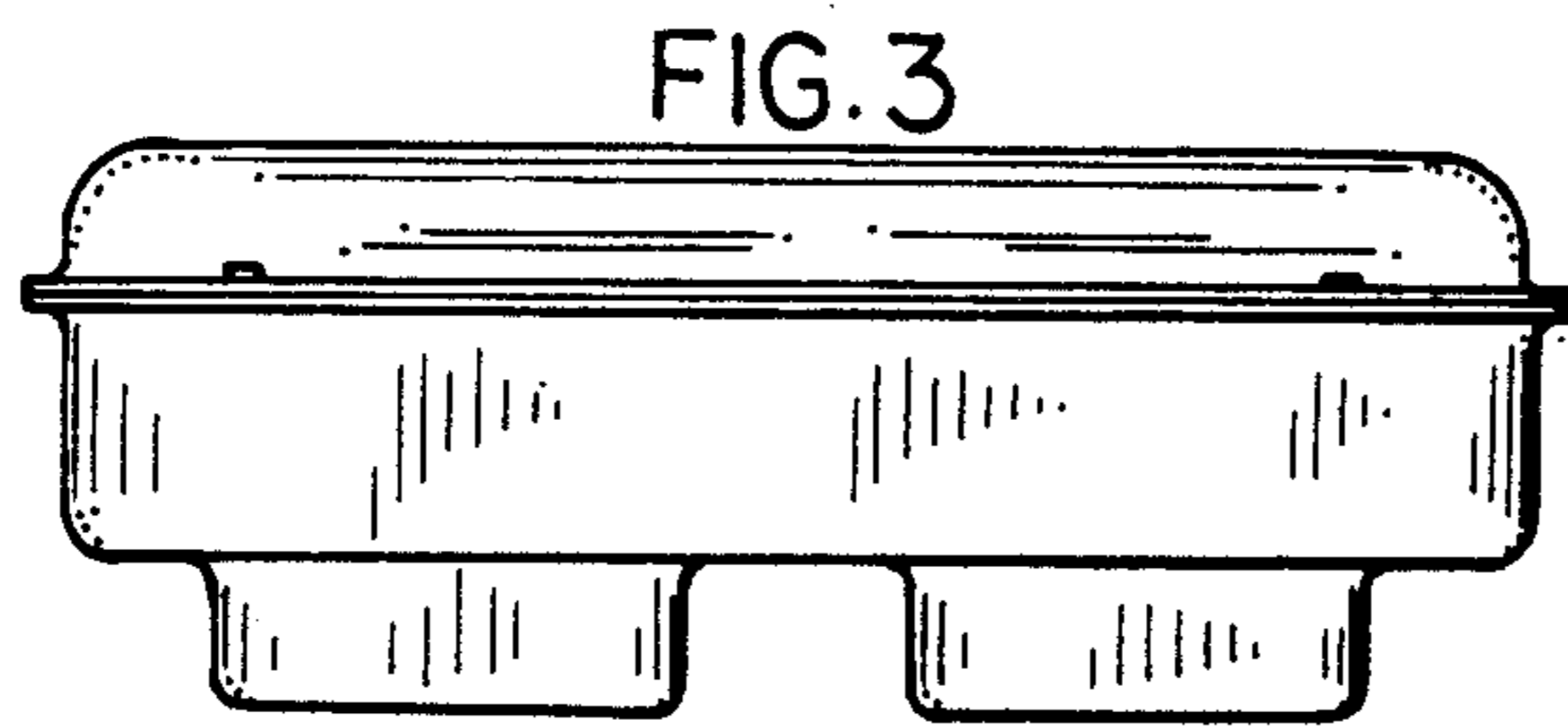


FIG. 3

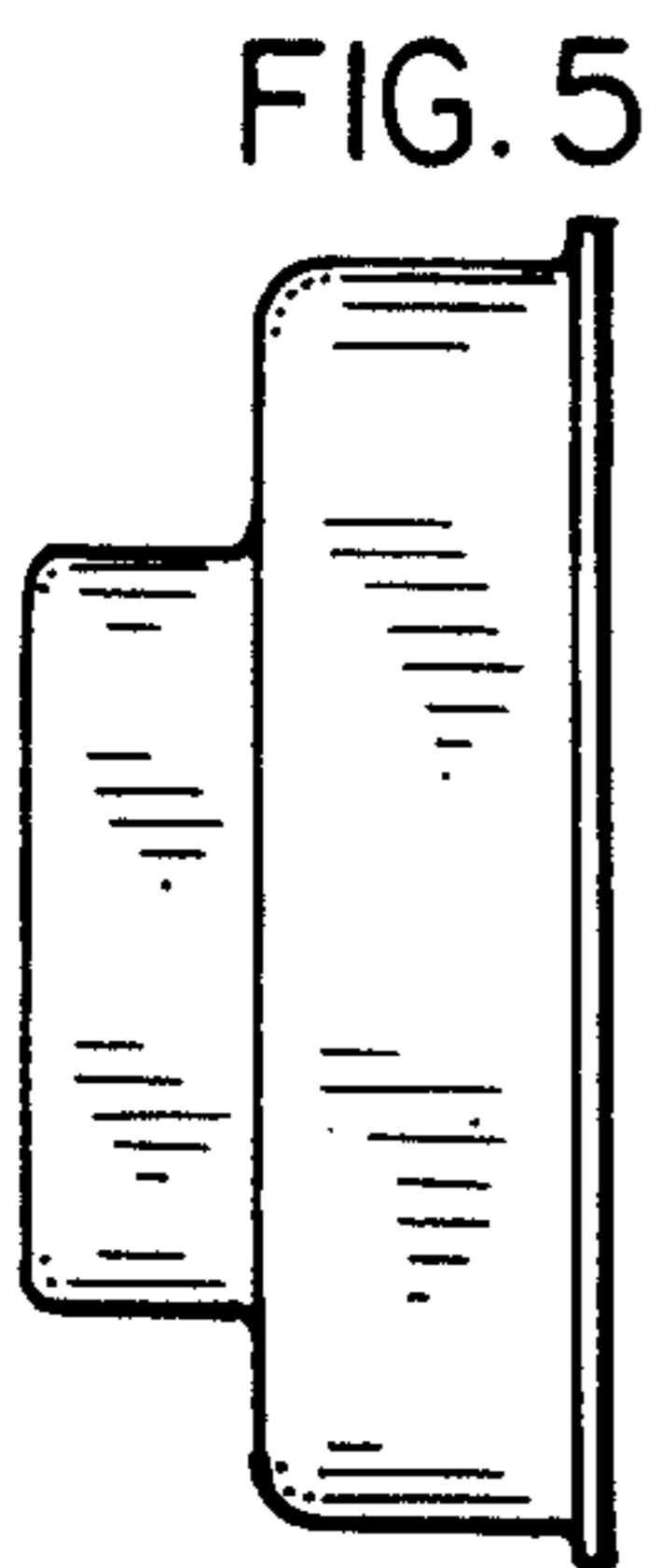


FIG. 5

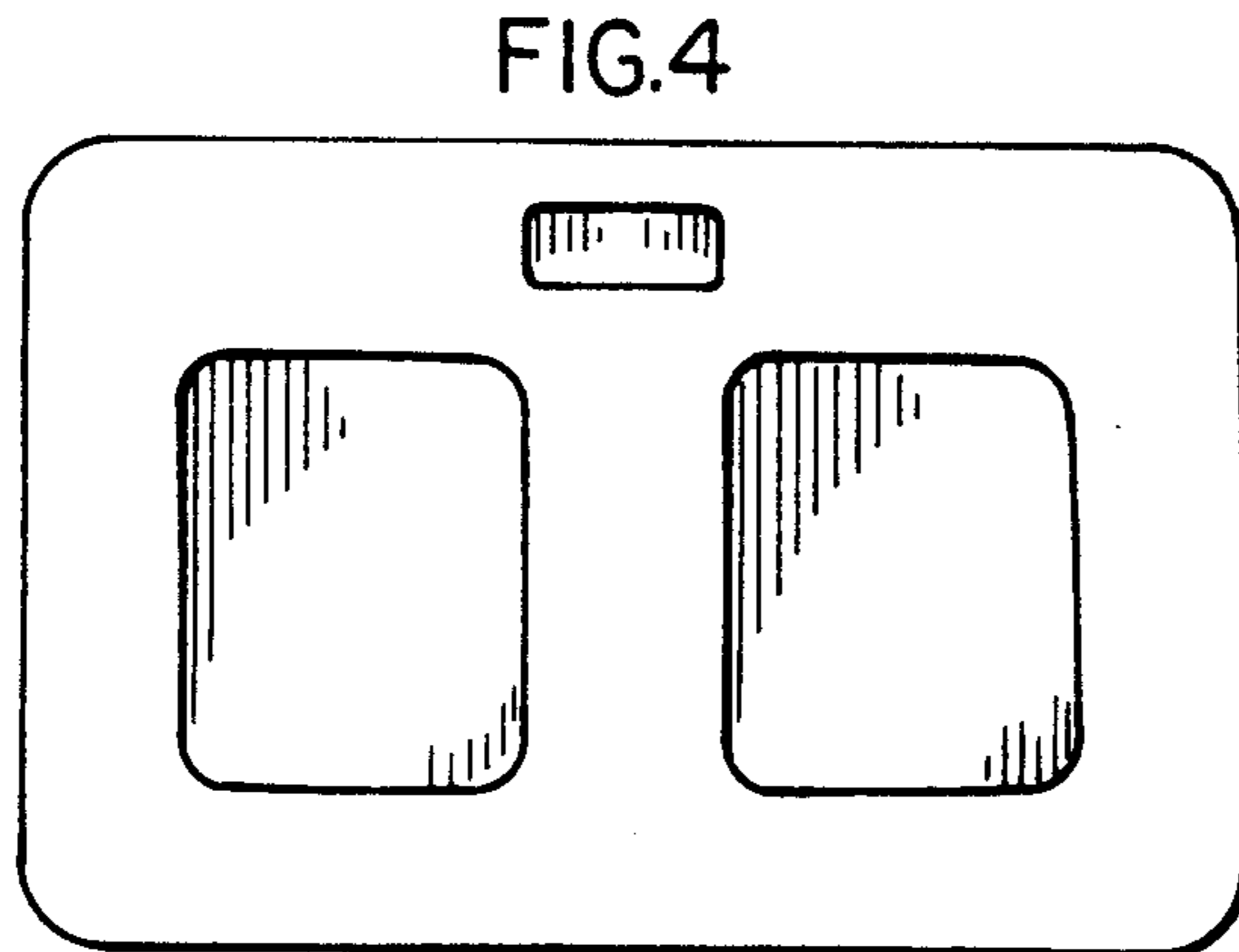


FIG. 4

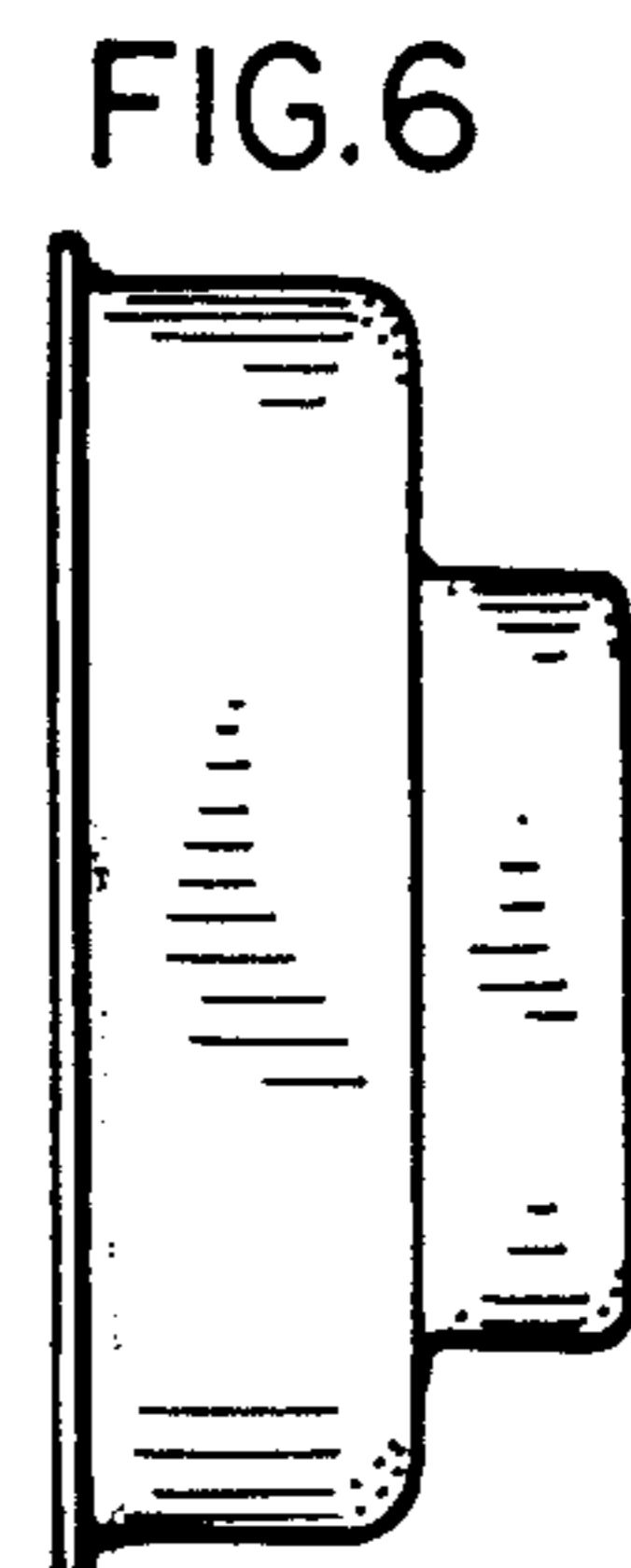


FIG. 6

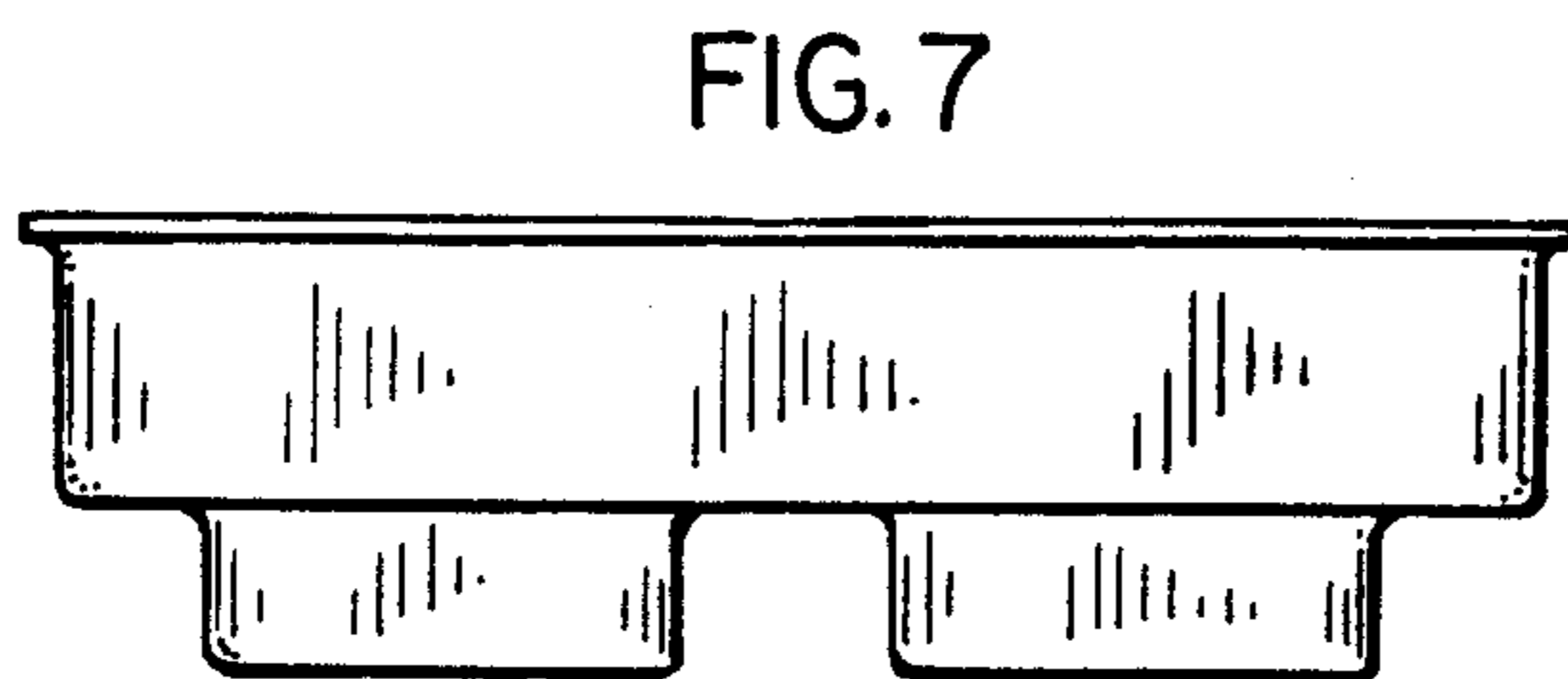


FIG. 7