

[54] FISHING REEL FREE SPOOL ACTIVATOR

D. 255,702 7/1980 Inuma ..... D22/25  
2,932,466 4/1960 Softe ..... D22/25  
2,963,238 12/1960 Gaire ..... 242/84.1K

[75] Inventor: Robert L. McMickle, Spirit Lake, Iowa

[73] Assignee: Berkley & Company, Inc., Spirit Lake, Iowa

[\*\*] Term: 14 Years

Primary Examiner—A. Hugo Word  
Attorney, Agent, or Firm—Schroeder, Siegfried, Ryan, Vidas, Steffey & Arrett

[21] Appl. No.: 60,484

[57] CLAIM

The ornamental design for a fishing reel free spool activator, as shown and described.

[22] Filed: Jul. 25, 1979

DESCRIPTION

[51] Int. Cl. .... D22—05

[52] U.S. Cl. .... D22/25

[58] Field of Search ..... 43/20; D22/25;  
242/84.1, 84.1 K

FIG. 1 is a perspective view of a fishing reel free spool activator showing my new design, the reel being shown in broken lines for illustrative purposes only;

FIG. 2 is a right side view thereof;

FIG. 3 is a left side view thereof;

FIG. 4 is a top view thereof;

FIG. 5 is a rear view thereof;

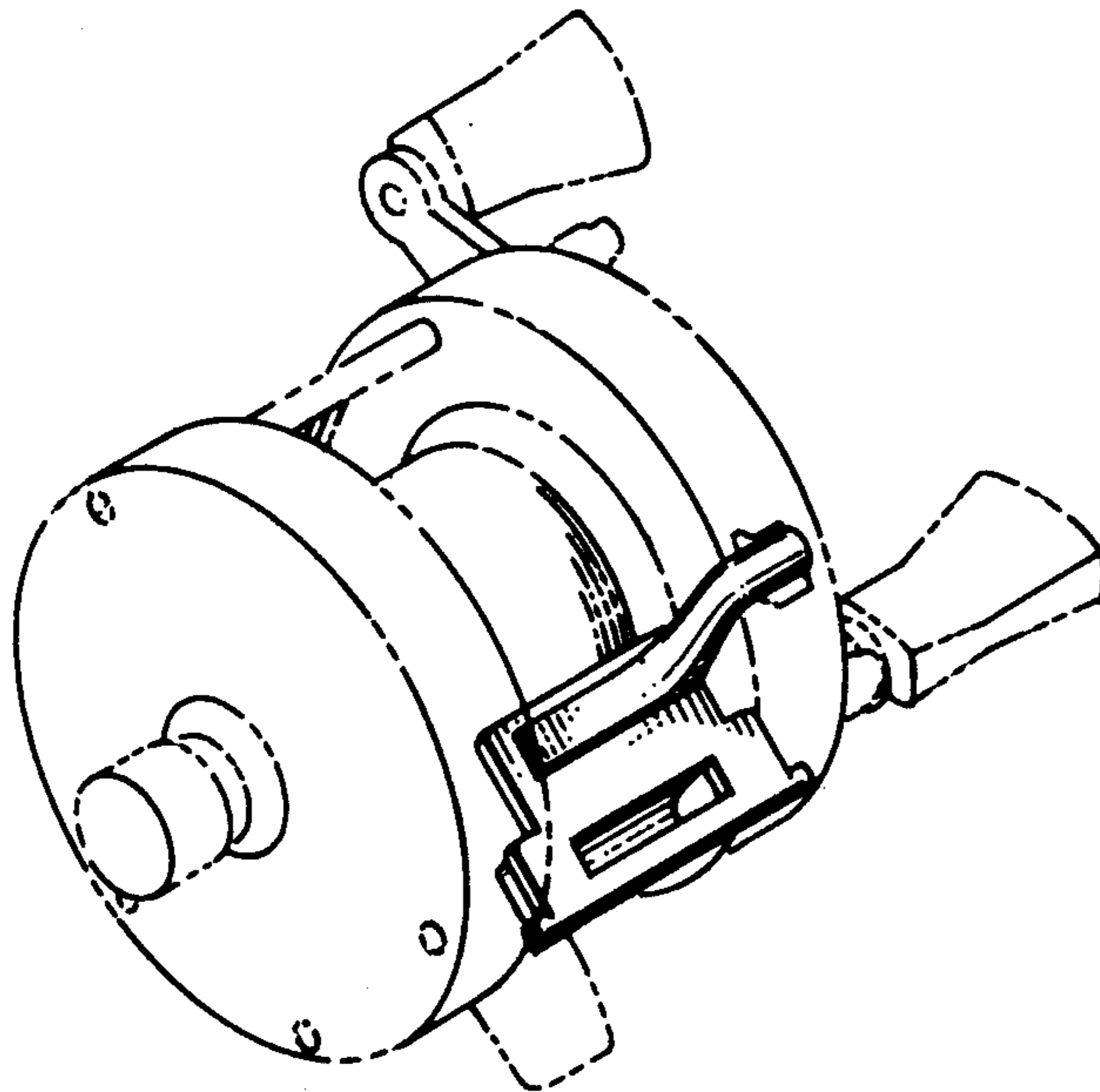
FIG. 6 is a bottom view thereof; and,

FIG. 7 is a front view.

[56] References Cited

U.S. PATENT DOCUMENTS

D. 97,277 1/1935 McMahon ..... D22/25  
D. 154,308 6/1949 Pies ..... D22/25



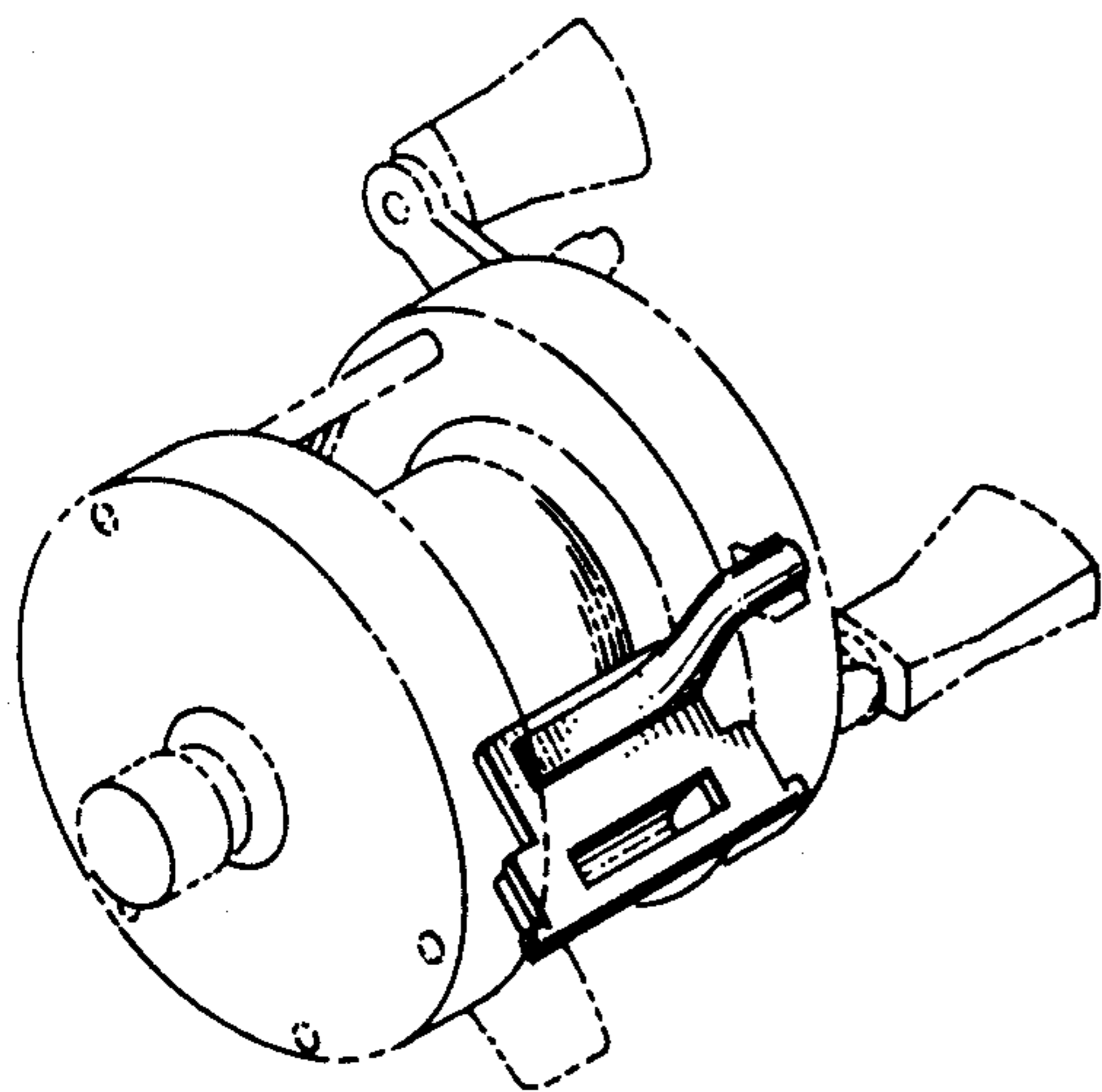


Fig. 1

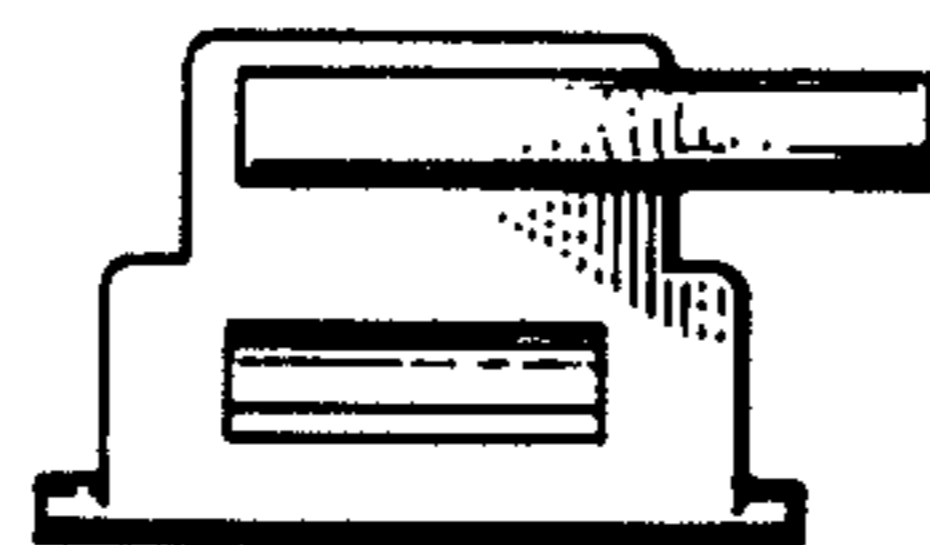


Fig. 4

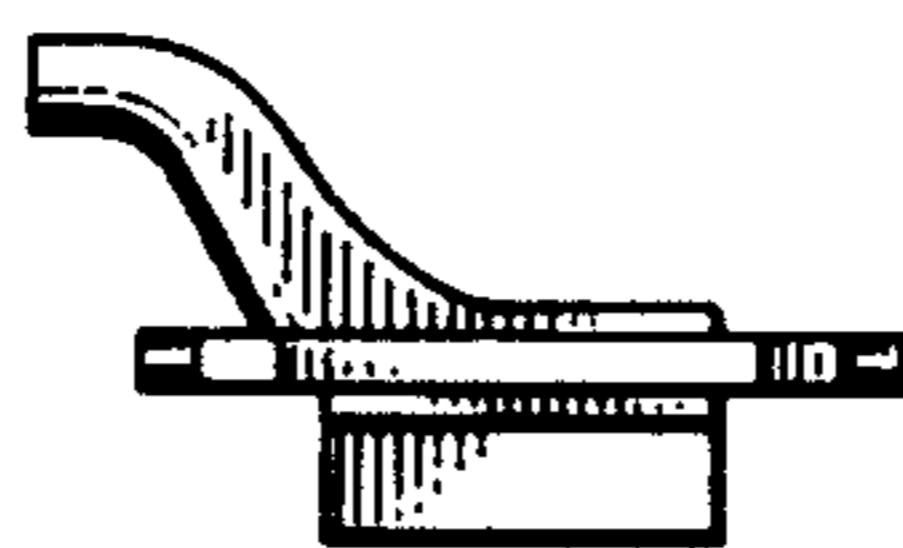


Fig. 5

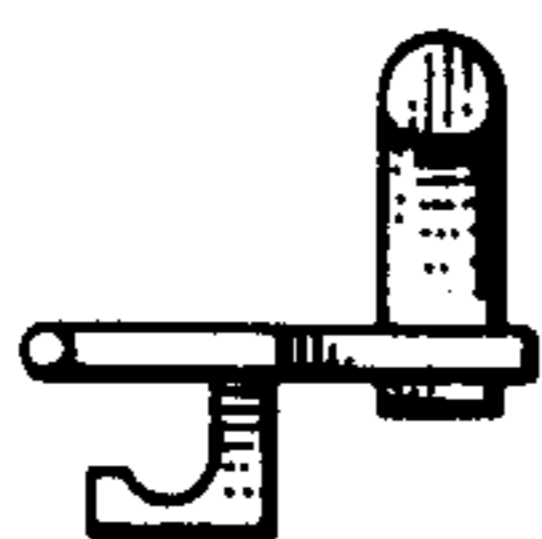


Fig. 2

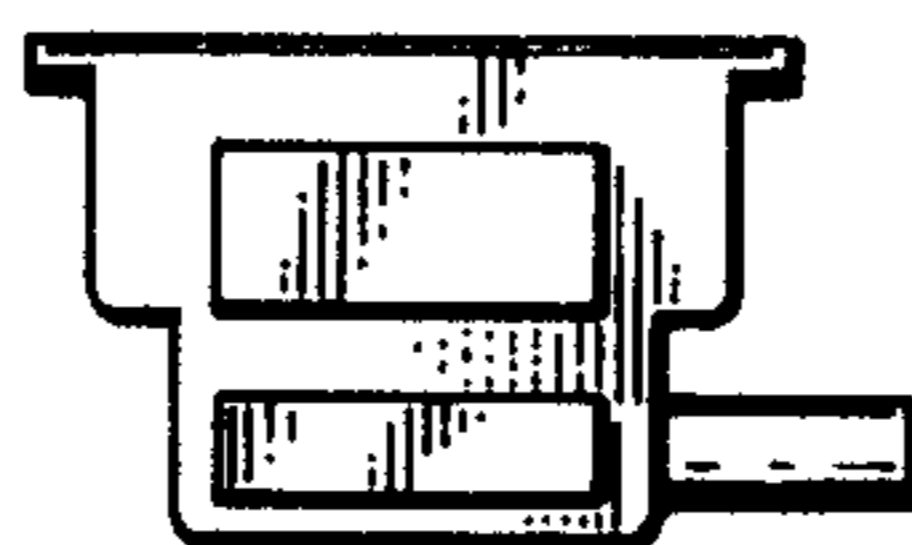


Fig. 6

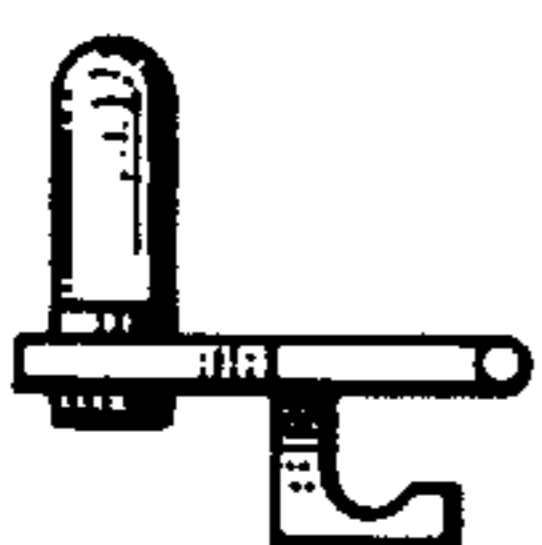


Fig. 3



Fig. 7