

[54] AMUSEMENT TOY

[75] Inventor: Hitoshi Itakura, Tokyo, Japan

[73] Assignee: Tomy Kogyo Co., Inc., Japan

[**] Term: 14 Years

[21] Appl. No.: 912,935

[22] Filed: Jun. 5, 1978

[30] Foreign Application Priority Data

May 18, 1978 [JP] Japan 78 20501

[51] Int. Cl. D21-01

[52] U.S. Cl. D21/59; D21/150

[58] Field of Search D21/148, 150, 189, 64,
D21/59, 12; 46/174, 175, 92; 273/1 L, 101, 145
C, 1 P

[56] References Cited

U.S. PATENT DOCUMENTS

D. 159,135 6/1950 Blaich et al. D21/150
D. 159,579 8/1950 Berger D21/150

D. 250,359 11/1978 Matsumoto D21/150
D. 251,312 3/1979 Matsumoto D21/59

Primary Examiner—Charles A. Rademaker
Attorney, Agent, or Firm—Staas & Halsey

[57] CLAIM

The ornamental design for an amusement toy as shown and described.

DESCRIPTION

FIG. 1 is a front elevational view of an amusement toy showing my new design;
FIG. 2 is a rear elevational view thereof;
FIG. 3 is a top plan view thereof;
FIG. 4 is a bottom plan view thereof;
FIG. 5 is a right side elevational view thereof; and
FIG. 6 is a left side elevational view thereof.
The characteristic feature of the claimed design resides in the specific configuration and ornamentation of the interior members as shown and described in FIGS. 1, 2, 5, and 6.

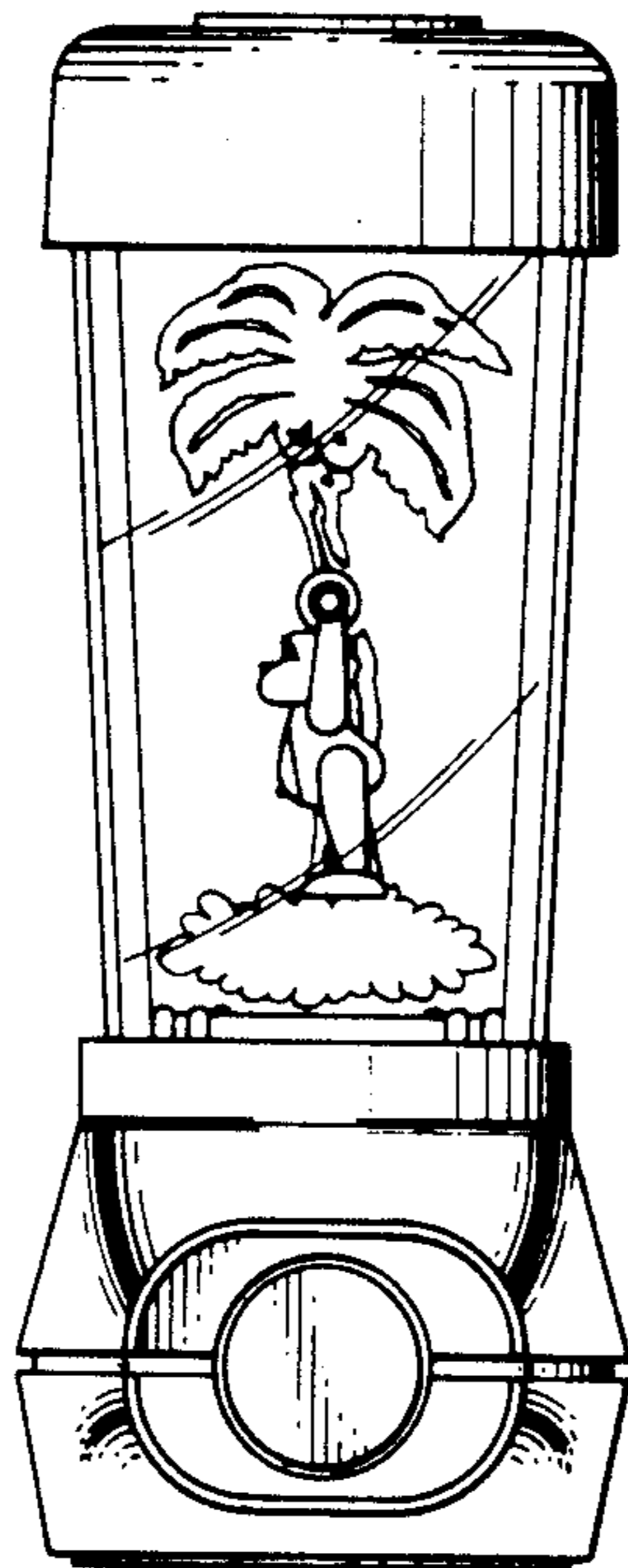


FIG. 1.

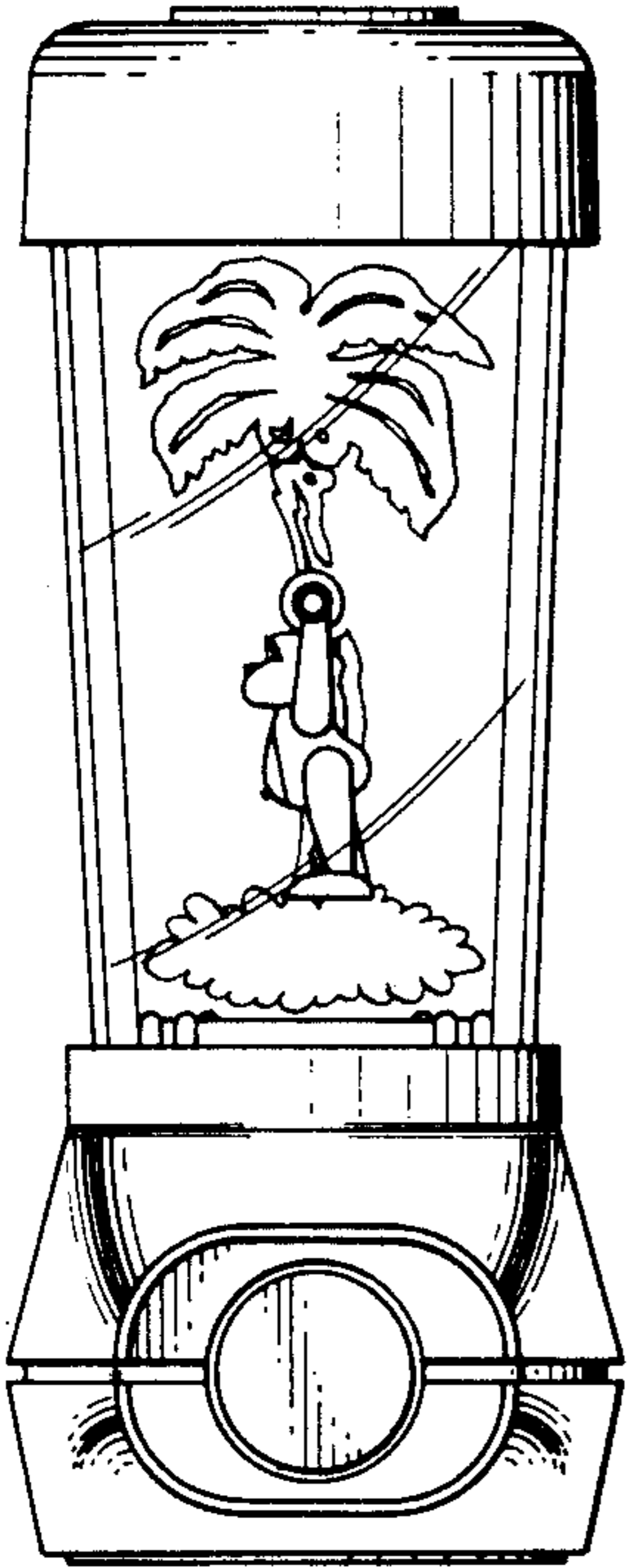


FIG. 2.

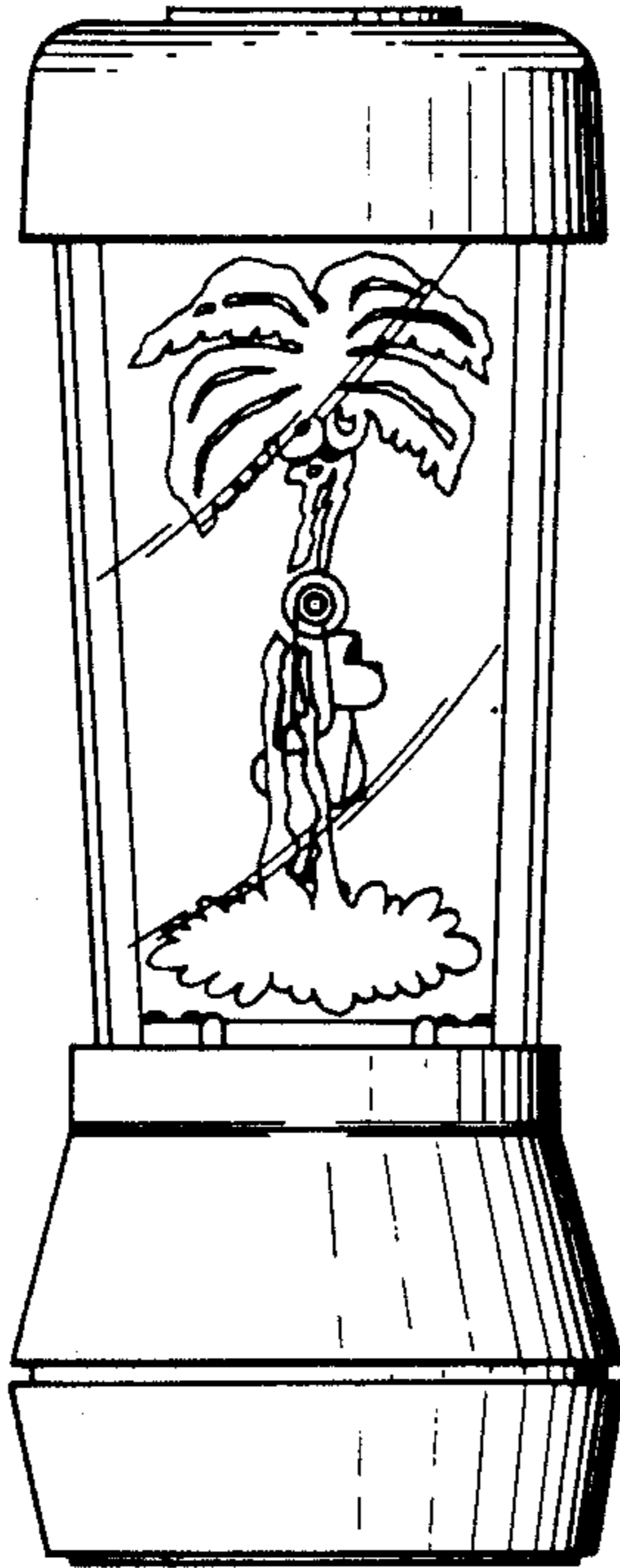


FIG. 3.

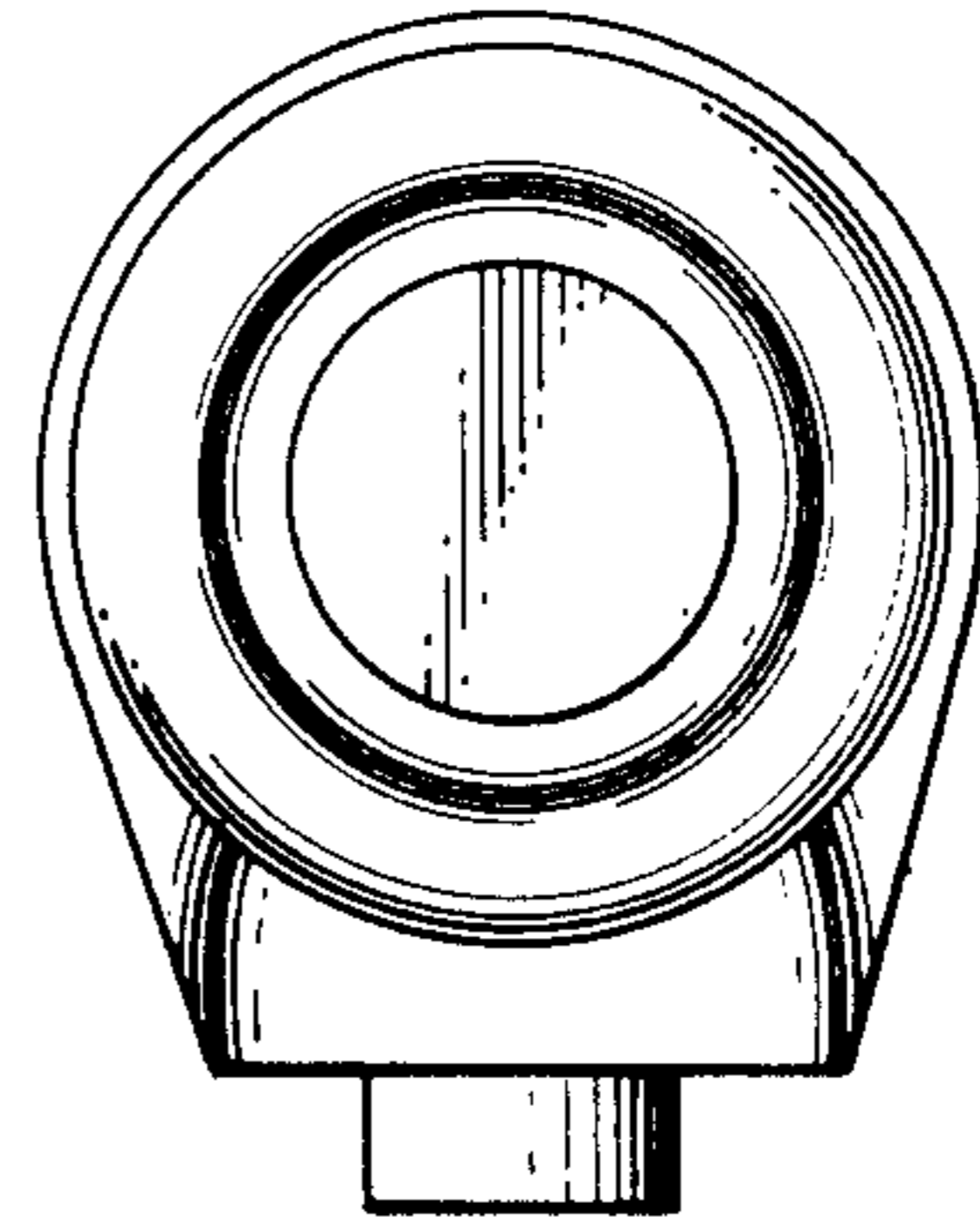


FIG. 4.

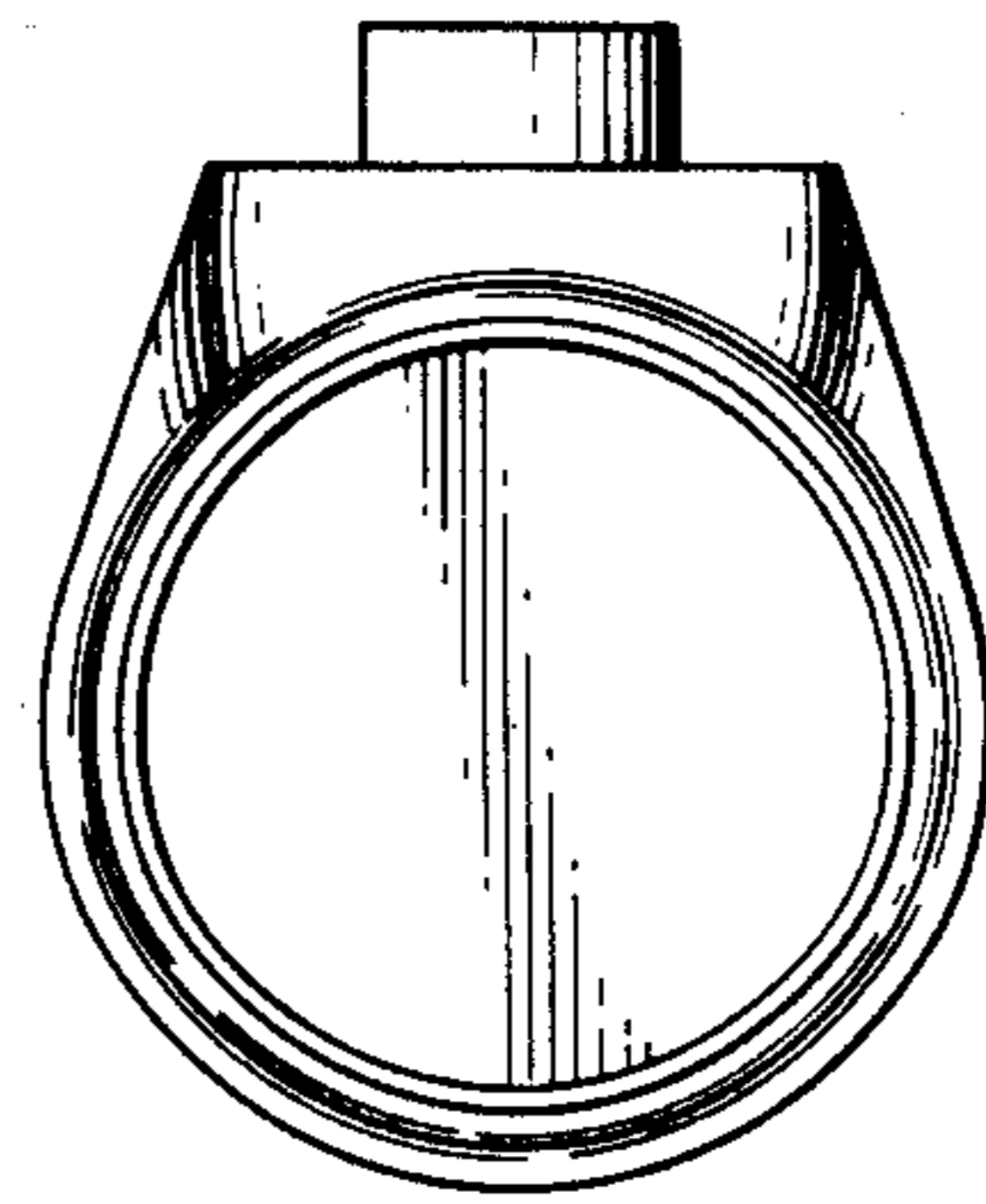


FIG. 5.

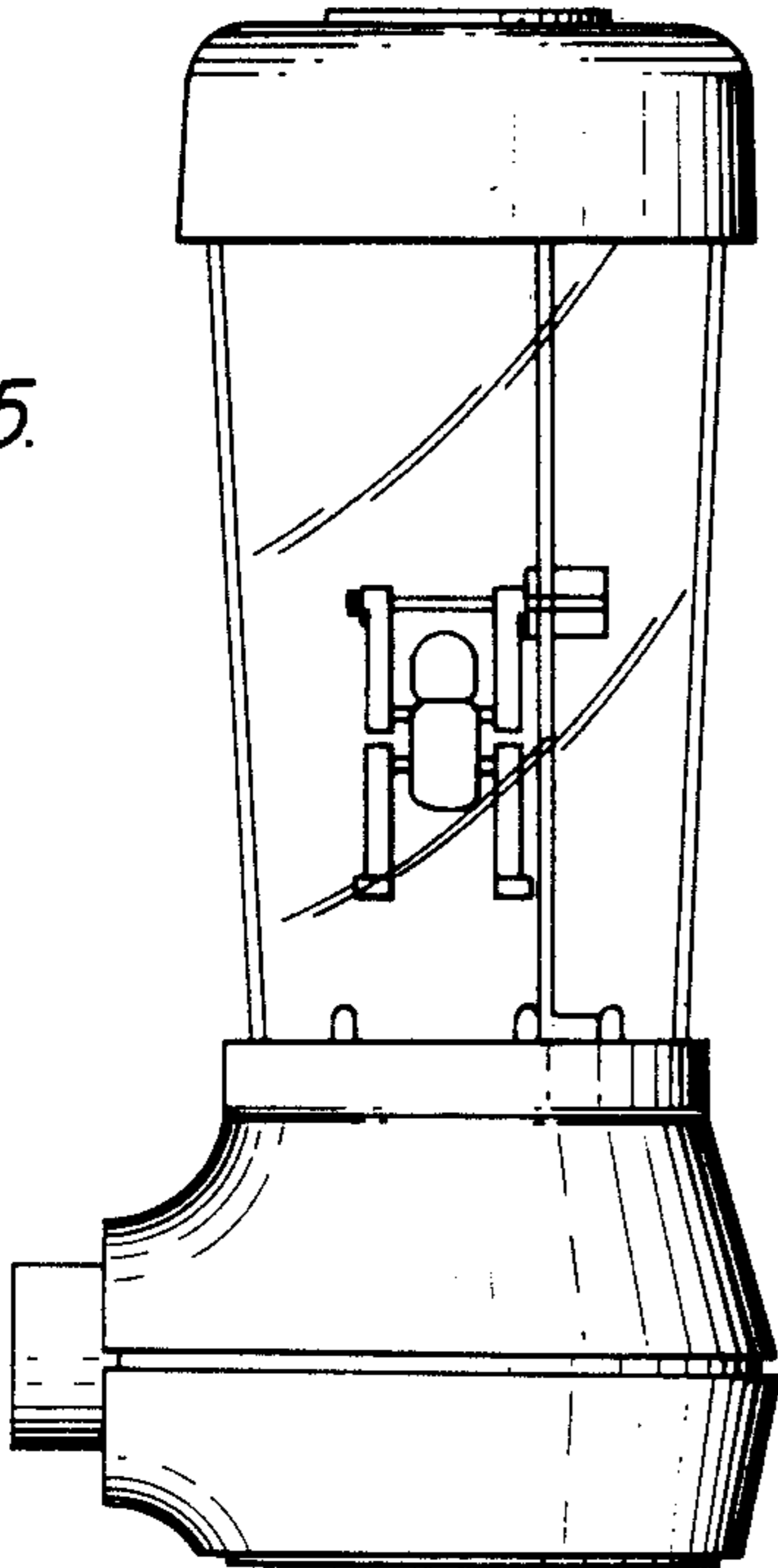


FIG. 6.

