

[54] PEN HOLDER

[75] Inventor: Clayton A. Laughlin, Minneapolis, Minn.

[73] Assignee: Ketcham & McDougall, Incorporated, Roseland, N.J.

[**] Term: 14 Years

[21] Appl. No.: 60,524

[22] Filed: Jul. 25, 1979

[51] Int. Cl. D19-06

[52] U.S. Cl. D19/84; D19/93; D19/96

[58] Field of Search D19/65, 75, 77, 79, D19/81, 84, 93, 96, 97; 211/69.4; D9/284, 287, 157

[56] References Cited

U.S. PATENT DOCUMENTS

D. 170,828	11/1953	Morris et al.	D19/53
D. 187,510	3/1960	Picha et al.	D19/84
D. 223,997	6/1972	Hanamura	D9/157
D. 238,169	12/1975	Bieriuger	D19/96

Primary Examiner—George P. Word
Attorney, Agent, or Firm—Edwin E. Greigg

[57] CLAIM

The ornamental design for a pen holder, as shown.

DESCRIPTION

FIG. 1 is a perspective view of a pen holder showing my new design;
FIG. 2 is a front elevational view of the pen holder;
FIG. 3 is a top plan view of the pen holder; and
FIG. 4 is a bottom plan view of the pen holder.

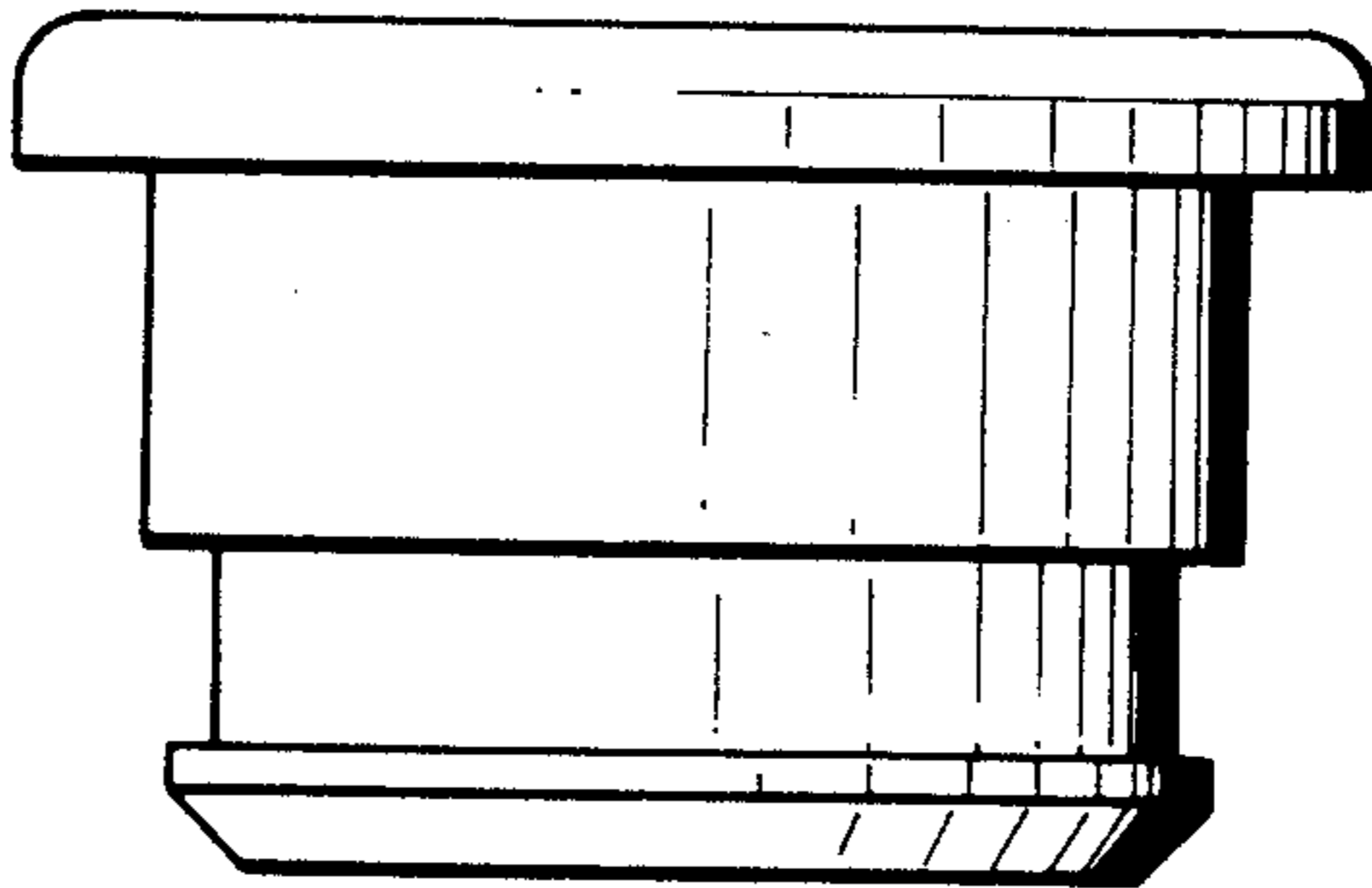
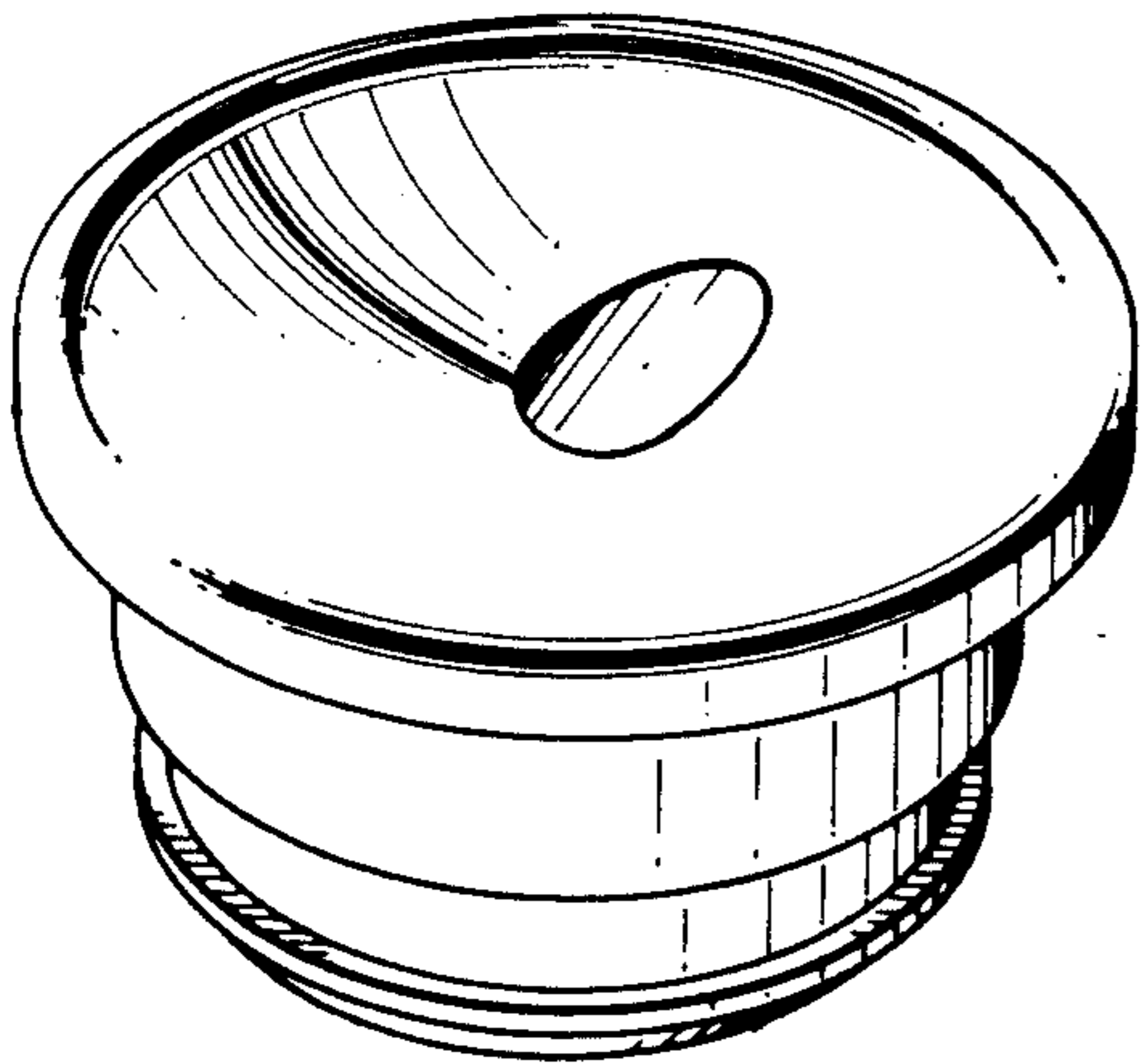


FIG.1

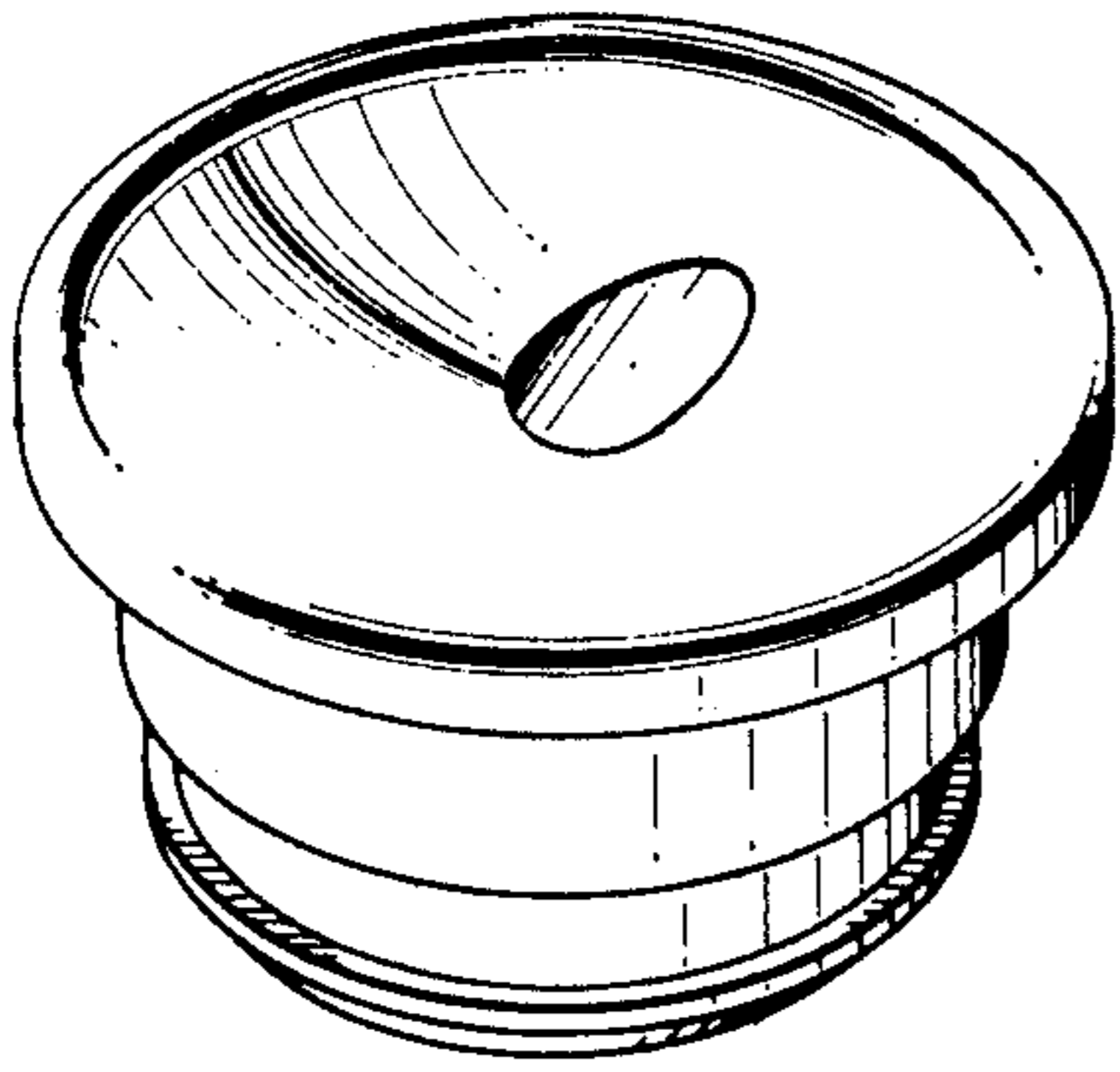


FIG.2

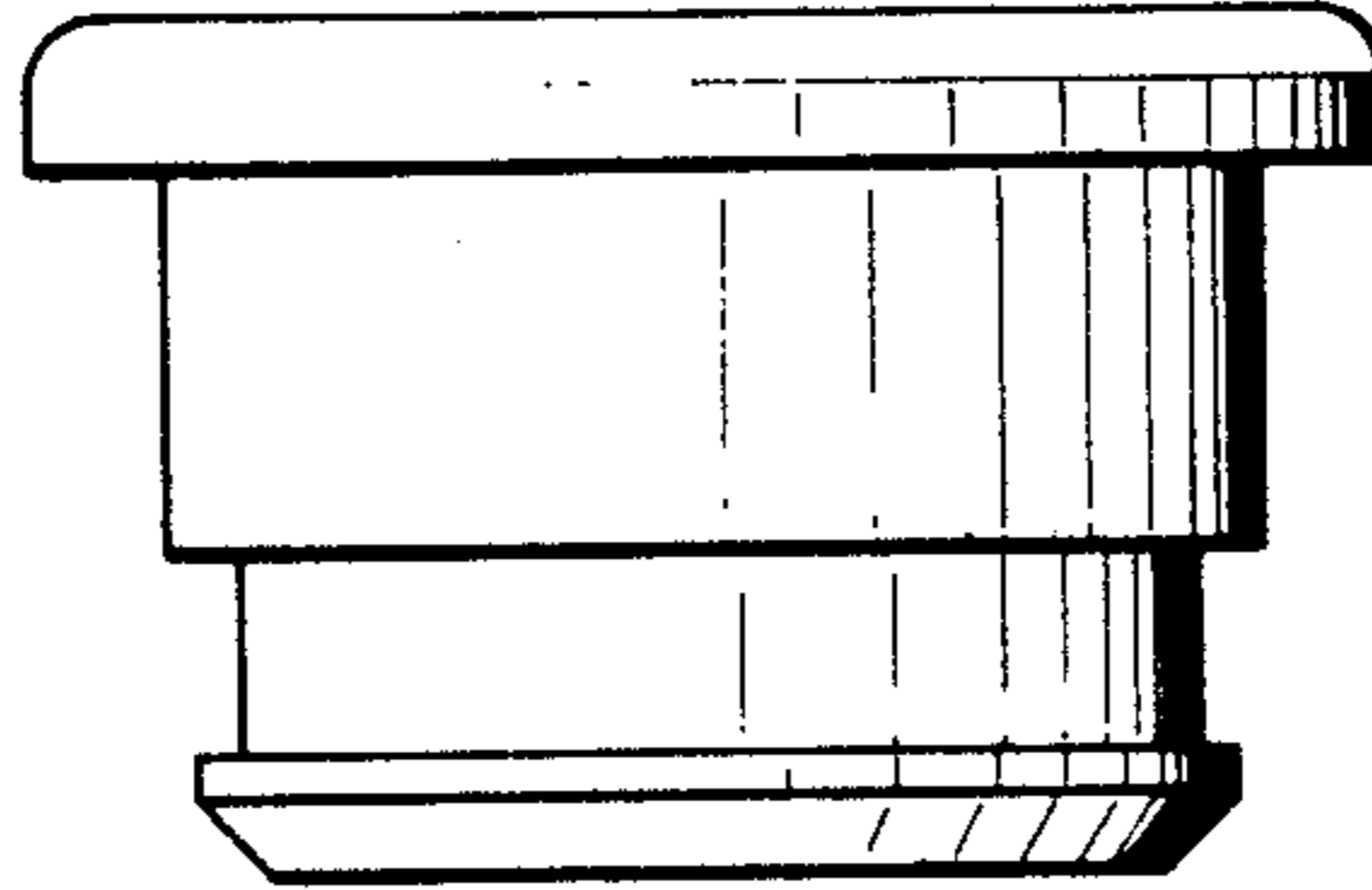


FIG.3

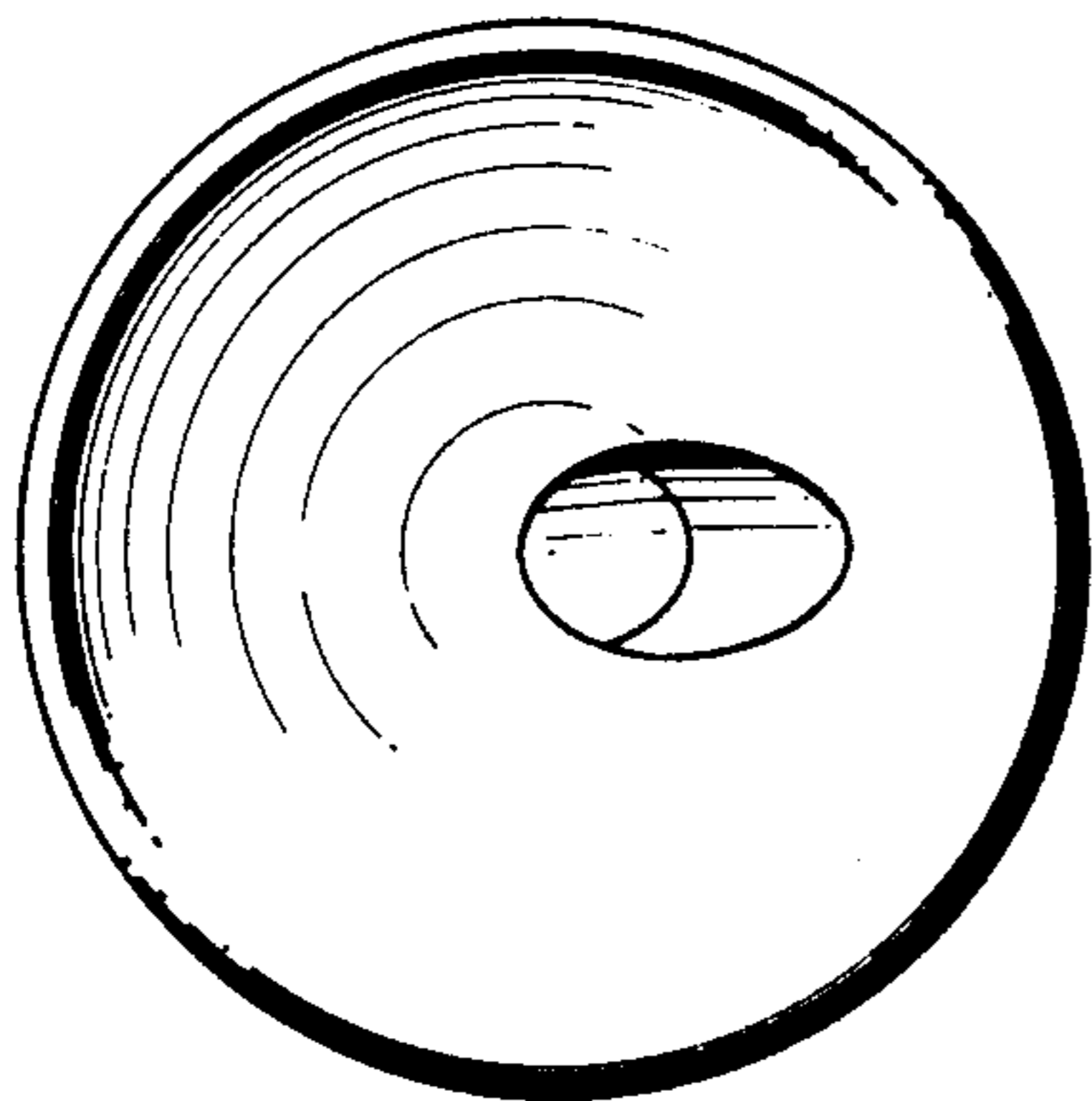


FIG.4

