

[54] TEXT EDITING MACHINE

[75] Inventor: Mario Bellini, Milan, Italy

[73] Assignee: Ing. C. Olivetti & C., S.p.A., Italy

[**] Term: 14 Years

[21] Appl. No.: 922,334

[22] Filed: Jun. 27, 1978

[30] Foreign Application Priority Data

Dec. 27, 1977 [IT] Italy 53788 A/77

[51] Int. Cl. D18-01

[52] U.S. Cl. D18/13; D18/1

[58] Field of Search D18/1, 13; D14/45; 400/689-690.4, 691, 692, 693, 694

[56] References Cited

U.S. PATENT DOCUMENTS

D. 230,202	1/1974	Kovacs	D18/1
D. 238,204	12/1975	Sottsass, Jr.	D14/45 X
D. 243,461	2/1977	Bellini	D14/45 X

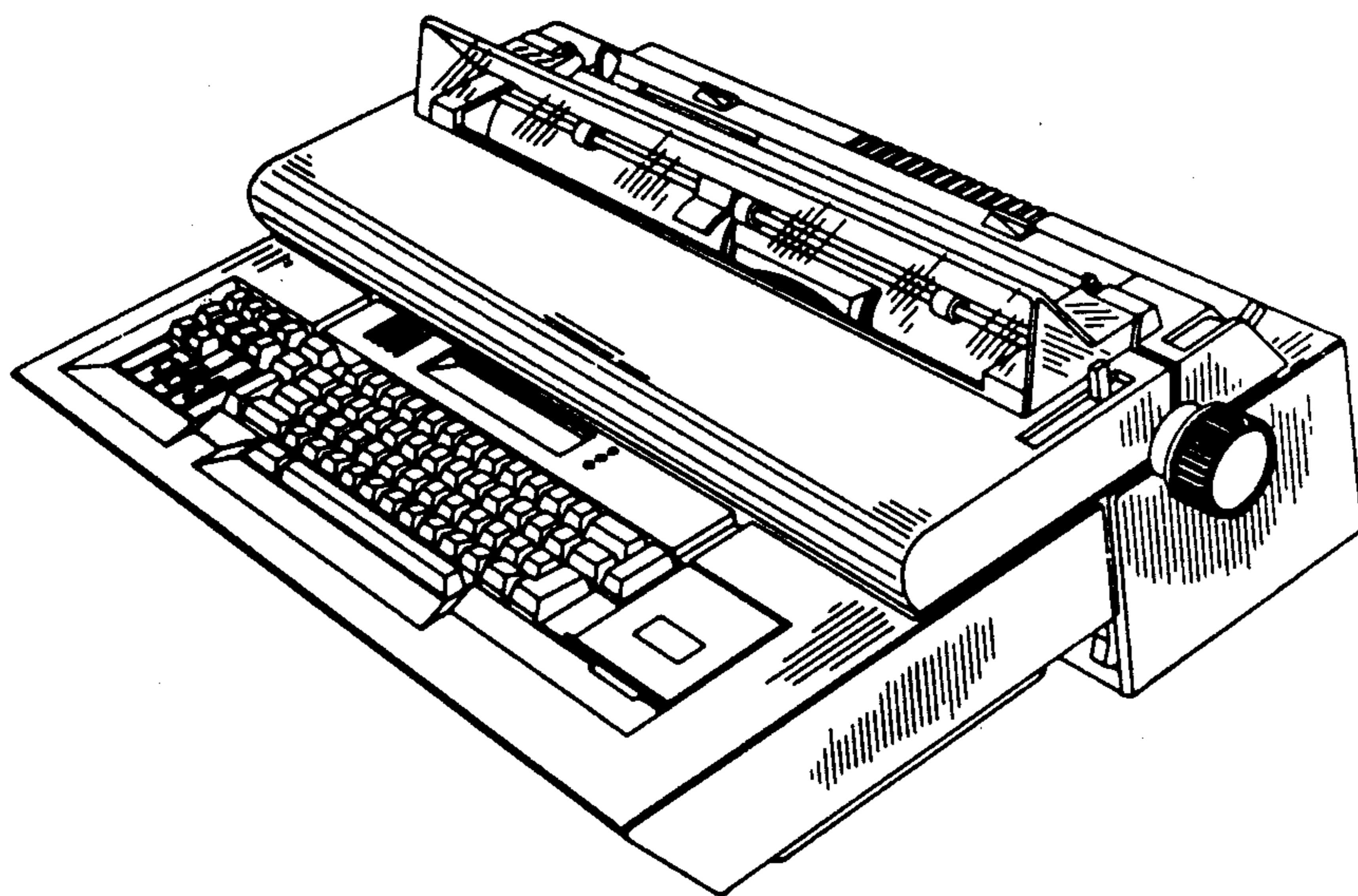
Primary Examiner—Louis S. Zarfes
Attorney, Agent, or Firm—Schuyler, Banner, Birch, McKie & Beckett

[57] CLAIM

The ornamental design for a text editing machine, substantially as shown and described.

DESCRIPTION

FIG. 1 is a front and right perspective view of a text editing apparatus showing my new design;
FIG. 2 is a rear and left perspective view thereof;
FIG. 3 is a left side elevational view thereof;
FIG. 4 is a bottom plan view thereof.



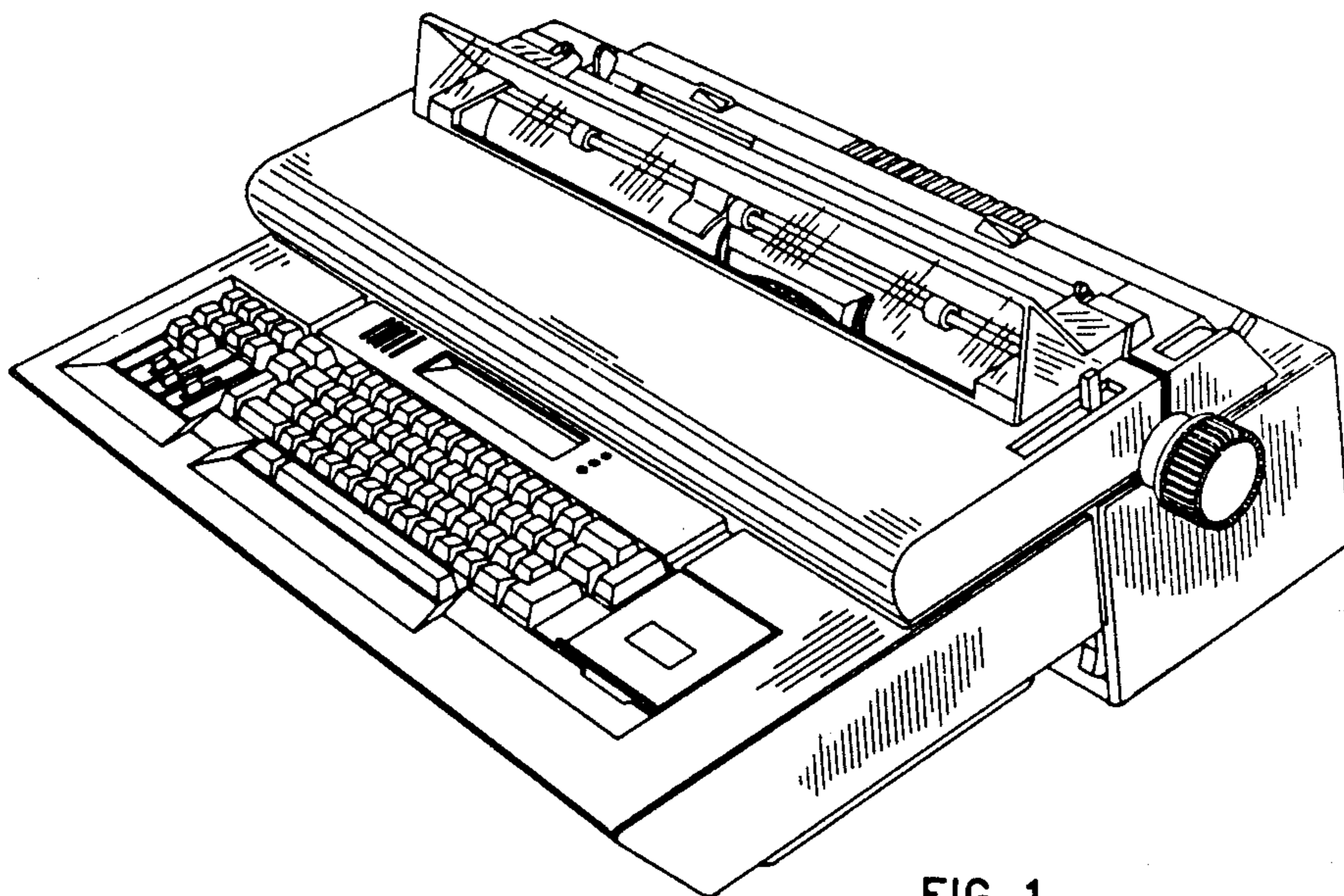


FIG. 1

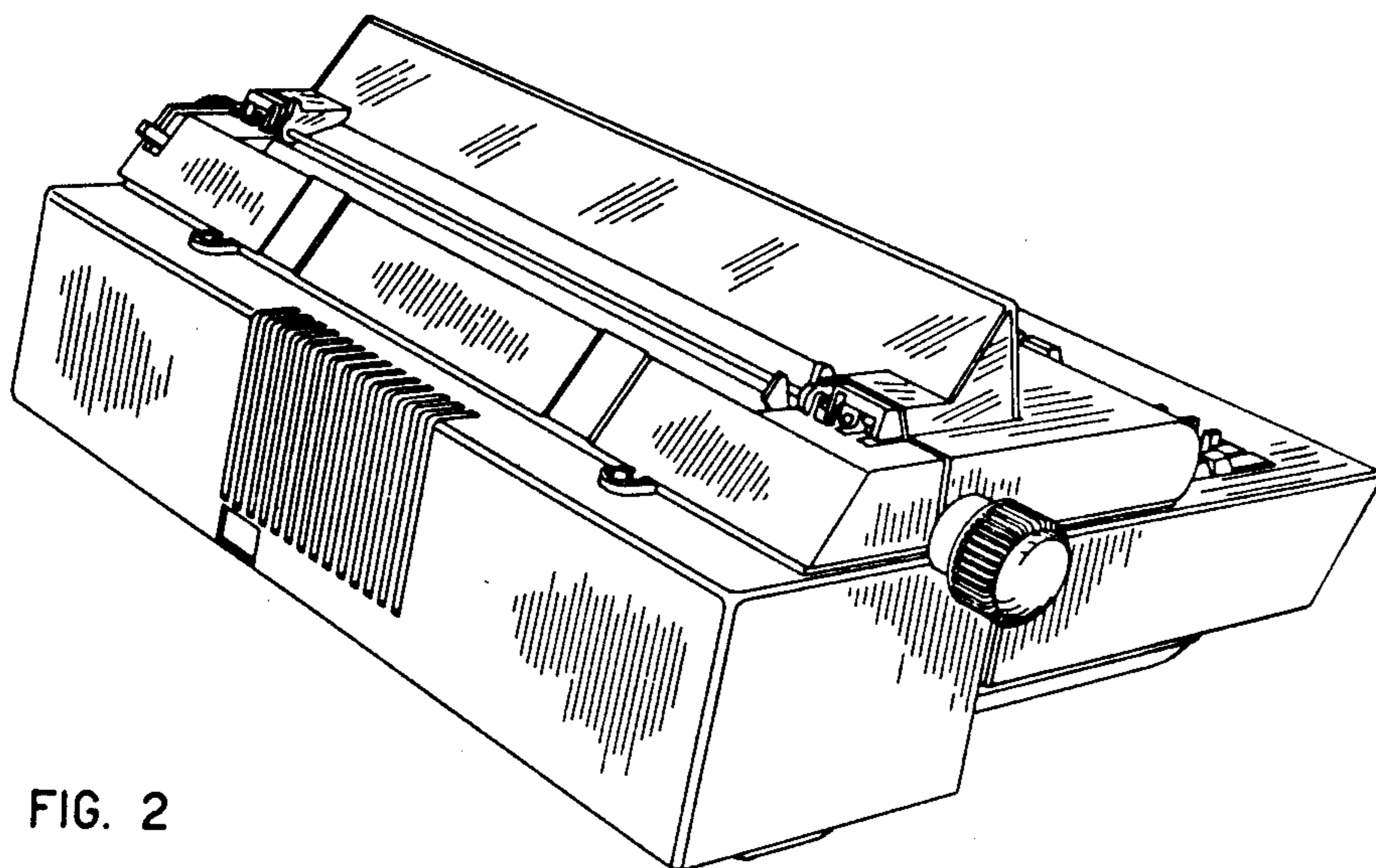


FIG. 2

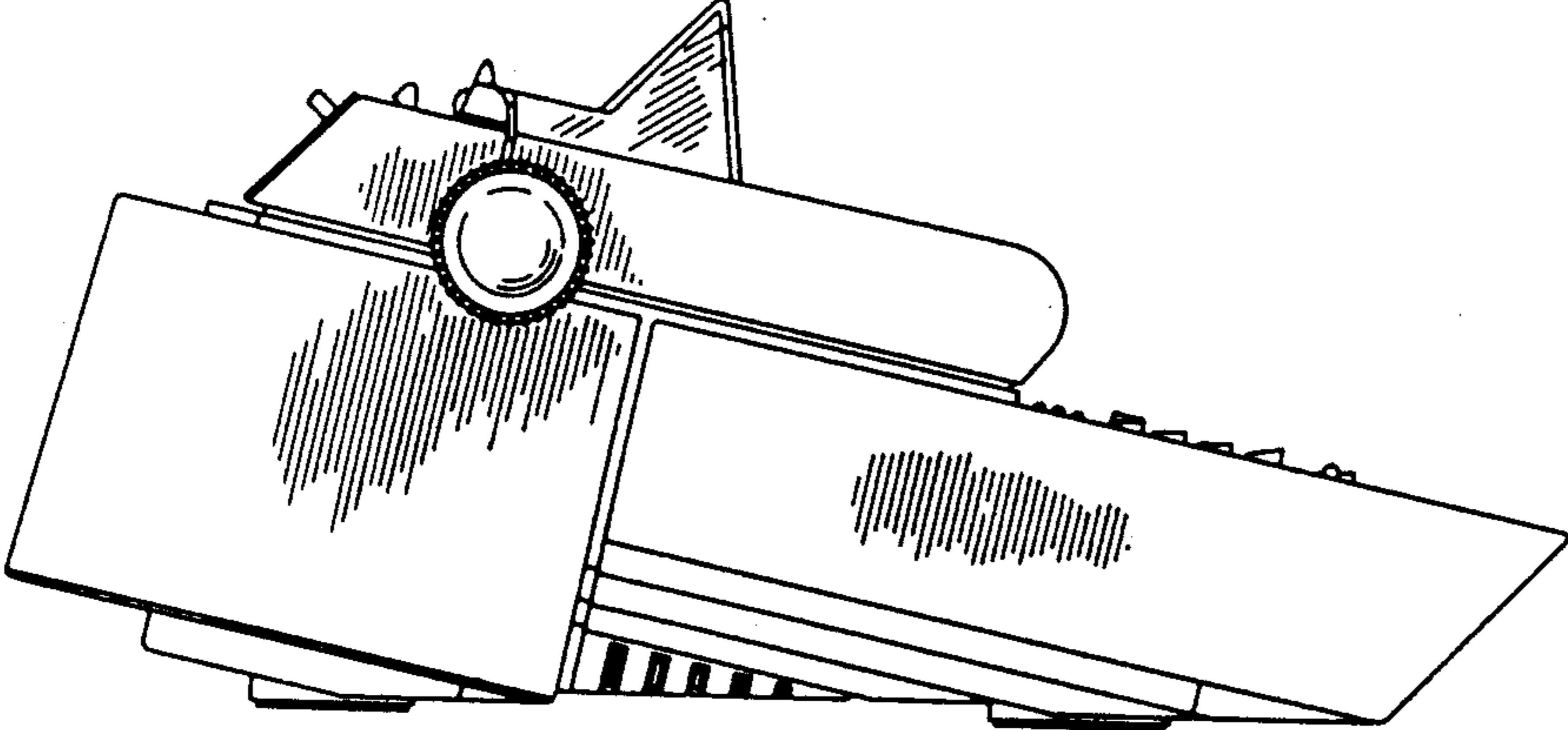


FIG. 3

FIG. 4

