

[54] BEVERAGE DISPENSING MACHINE

[76] Inventor: William M. Bardeau, 158 Norfinch Dr., Downsview, Ontario, Canada, M3N 1Y1

[\*\*] Term: 14 Years

[21] Appl. No.: 24,019

[22] Filed: Mar. 26, 1979

[30] Foreign Application Priority Data  
Mar. 20, 1979 [CA] Canada ..... 20-03-79-3

[51] Int. Cl. .... D15-08  
[52] U.S. Cl. .... D15/112  
[58] Field of Search ..... D15/111, 112, 113, 115, D15/116, 119, 120; D7/61; D23/3; D20/1, 5

[56] References Cited

U.S. PATENT DOCUMENTS

D. 87,539	8/1932	Pickens .....	D15/118
D. 181,645	12/1957	Harris .....	D15/112
D. 233,271	10/1974	Holcomb .....	D15/116

OTHER PUBLICATIONS

*Institutions/Volume Feeding*, Sep. 15, 1978, p. 127, "Hot Cocoa Dispenser"—Nestle Co. Adv., bottom left.

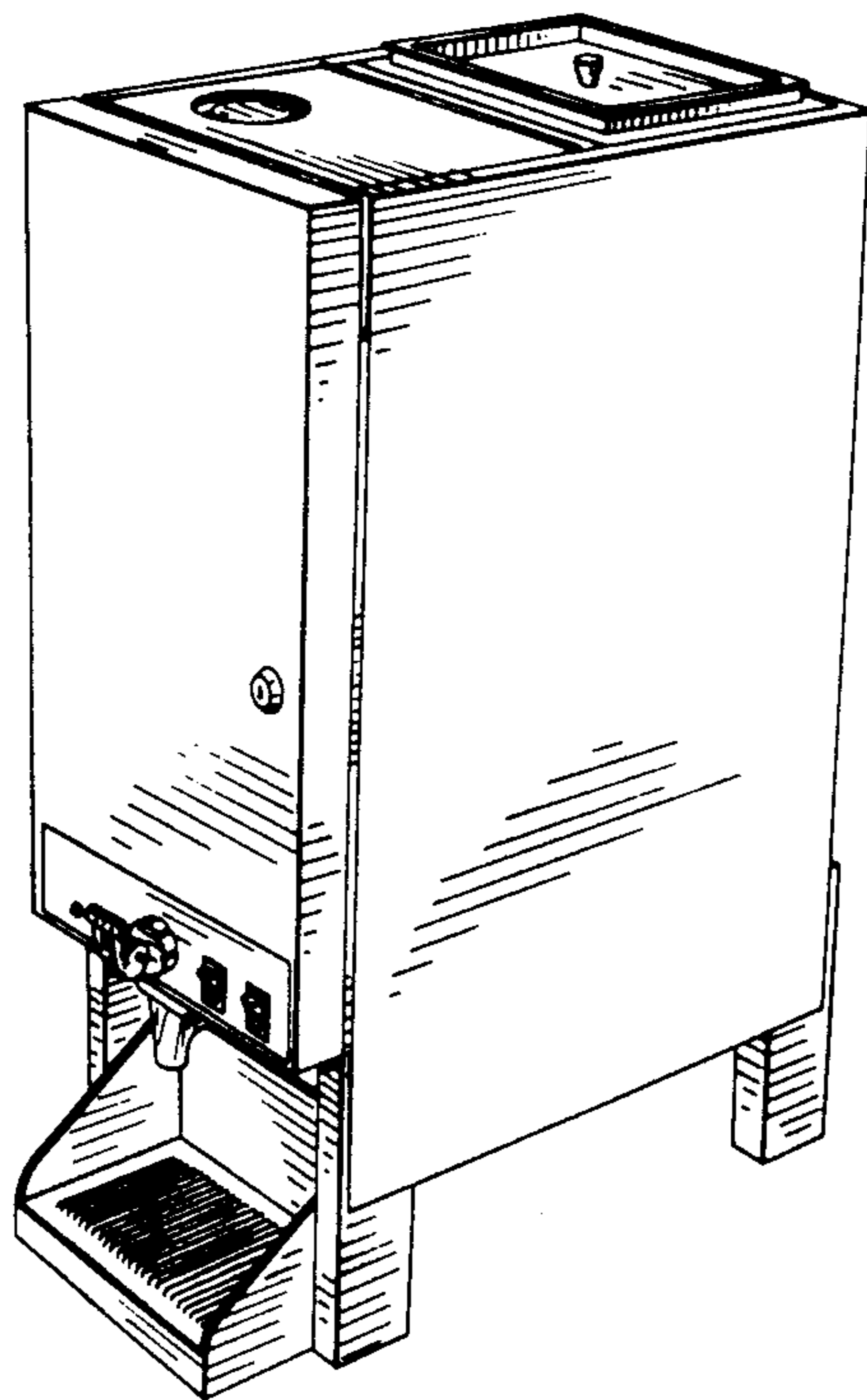
*Primary Examiner*—Winifred E. Herrmann  
*Attorney, Agent, or Firm*—Weldon F. Green

[57] CLAIM

The ornamental design for a beverage dispensing machine, as shown.

DESCRIPTION

FIG. 1 is an upper right front perspective view of a beverage dispensing machine, showing my new design; FIG. 2 is a lower front perspective view thereof; and FIG. 3 is an upper rear perspective view thereof.



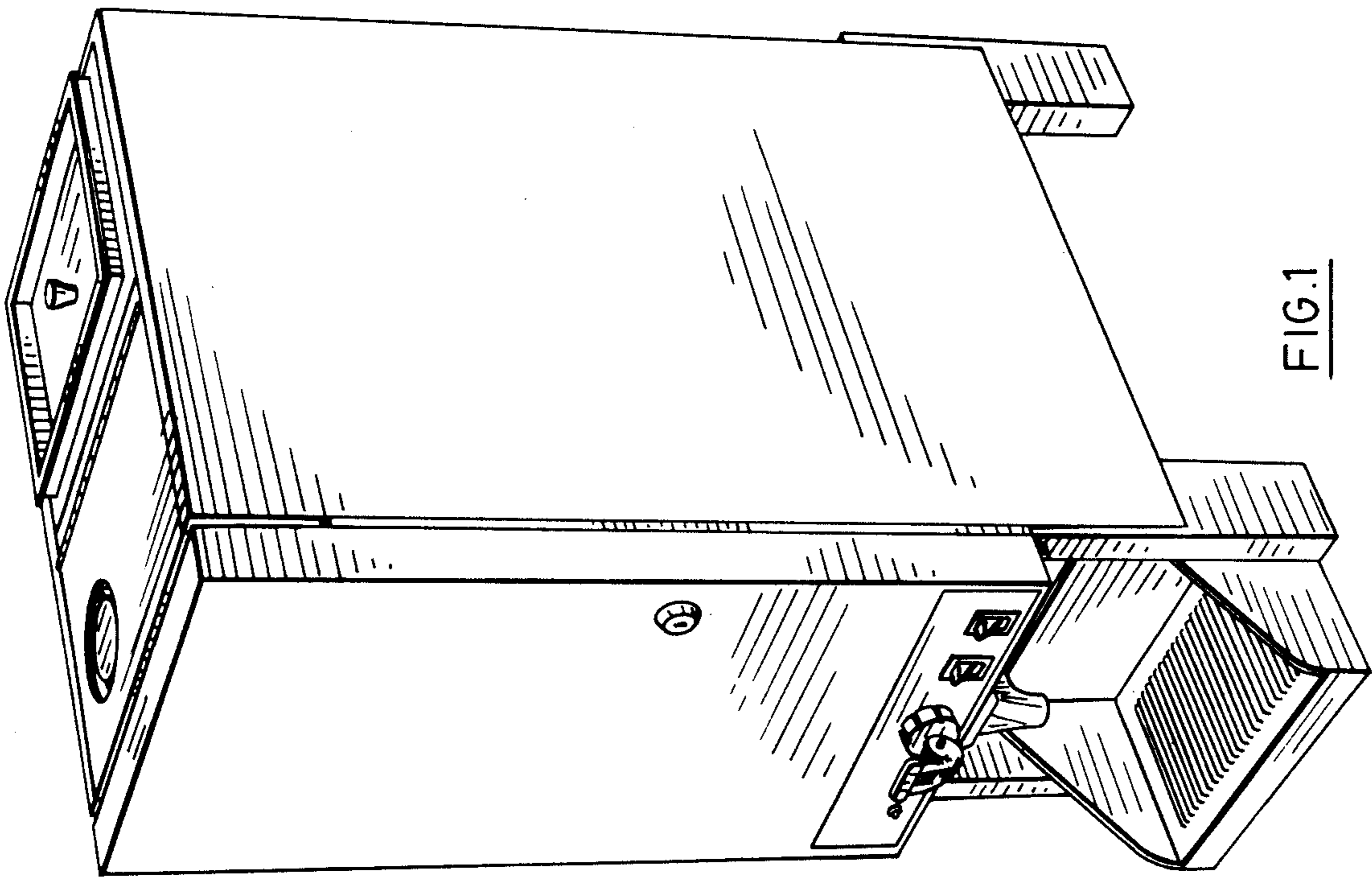


FIG. 1

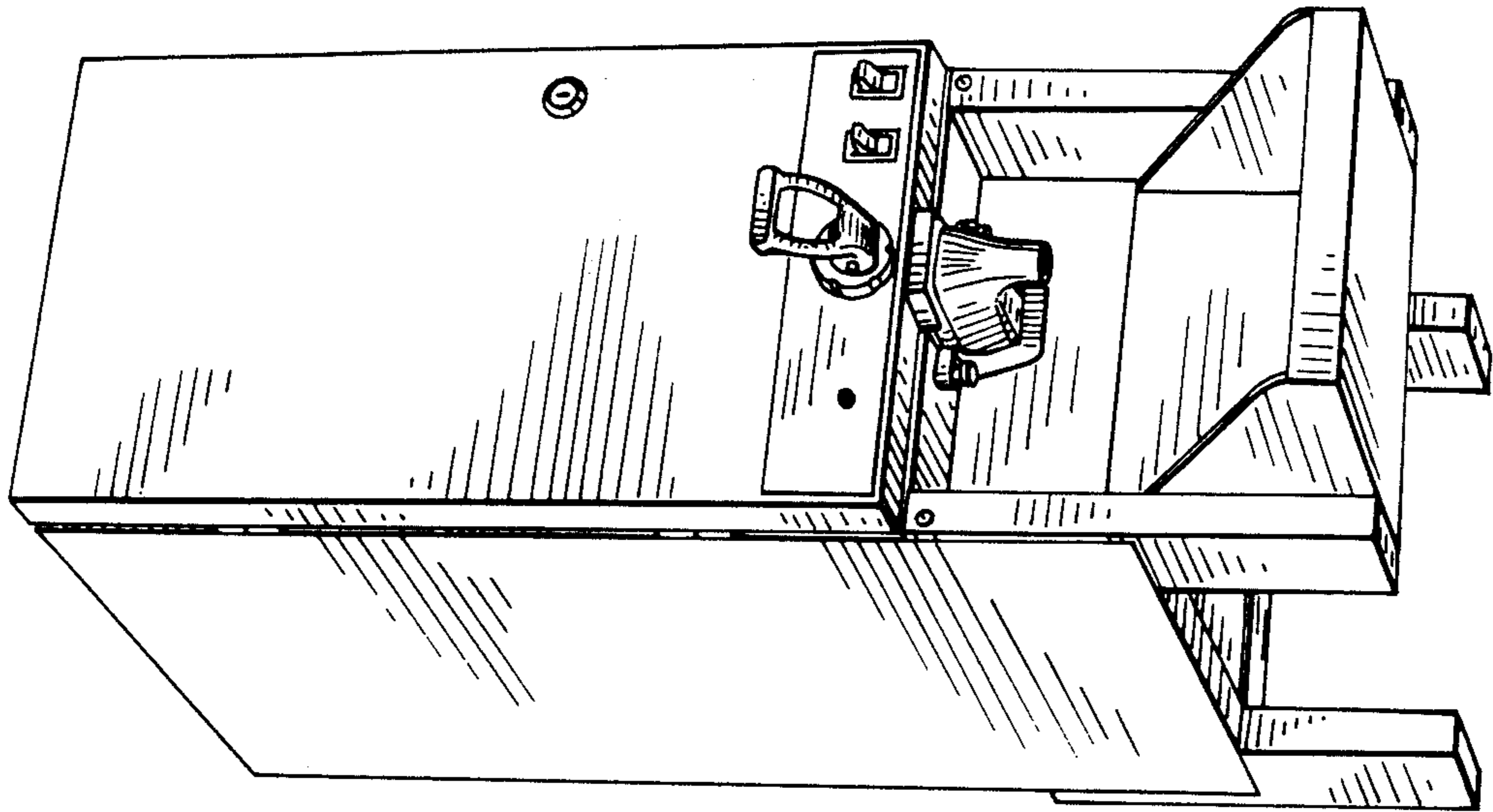


FIG. 2

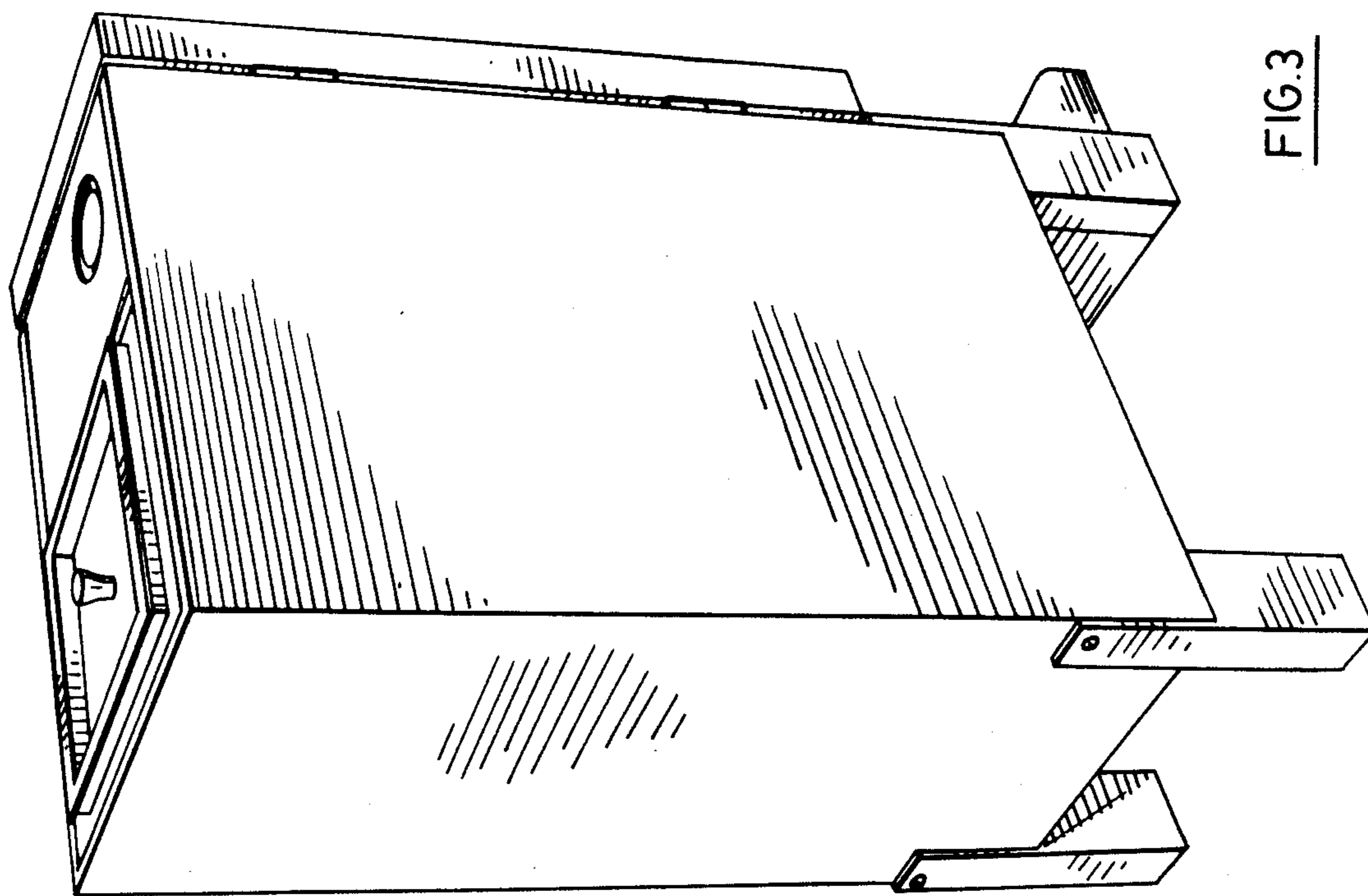


FIG. 3