

[54] COMMUNICATIONS ANTENNA ASSEMBLY AND BASE THEREFOR

[75] Inventors: Robert J. Steinhofer; Edward E. Elste, both of Franklin Park, Ill.

[73] Assignee: Avanti Research & Development, Inc., Addison, Ill.

[**] Term: 14 Years

[21] Appl. No.: 914,845

[22] Filed: Jun. 9, 1978

[51] Int. Cl. D14-03

[52] U.S. Cl. D14/86; D14/91

[58] Field of Search D14/86, 91; 343/713, 343/850, 745, 715

[56] References Cited

U.S. PATENT DOCUMENTS

D. 158,122	4/1950	Pennington	D14/91
D. 213,099	1/1969	Shirey	D14/86
D. 248,026	5/1978	Gostomski	D14/91
1,715,952	6/1929	Rostrom	343/850
2,941,204	6/1960	Bailey	343/745
4,089,817	5/1978	Kirkendall	343/713

FOREIGN PATENT DOCUMENTS

2538290	4/1976	Fed. Rep. of Germany	343/713
2543973	8/1976	Fed. Rep. of Germany	343/713

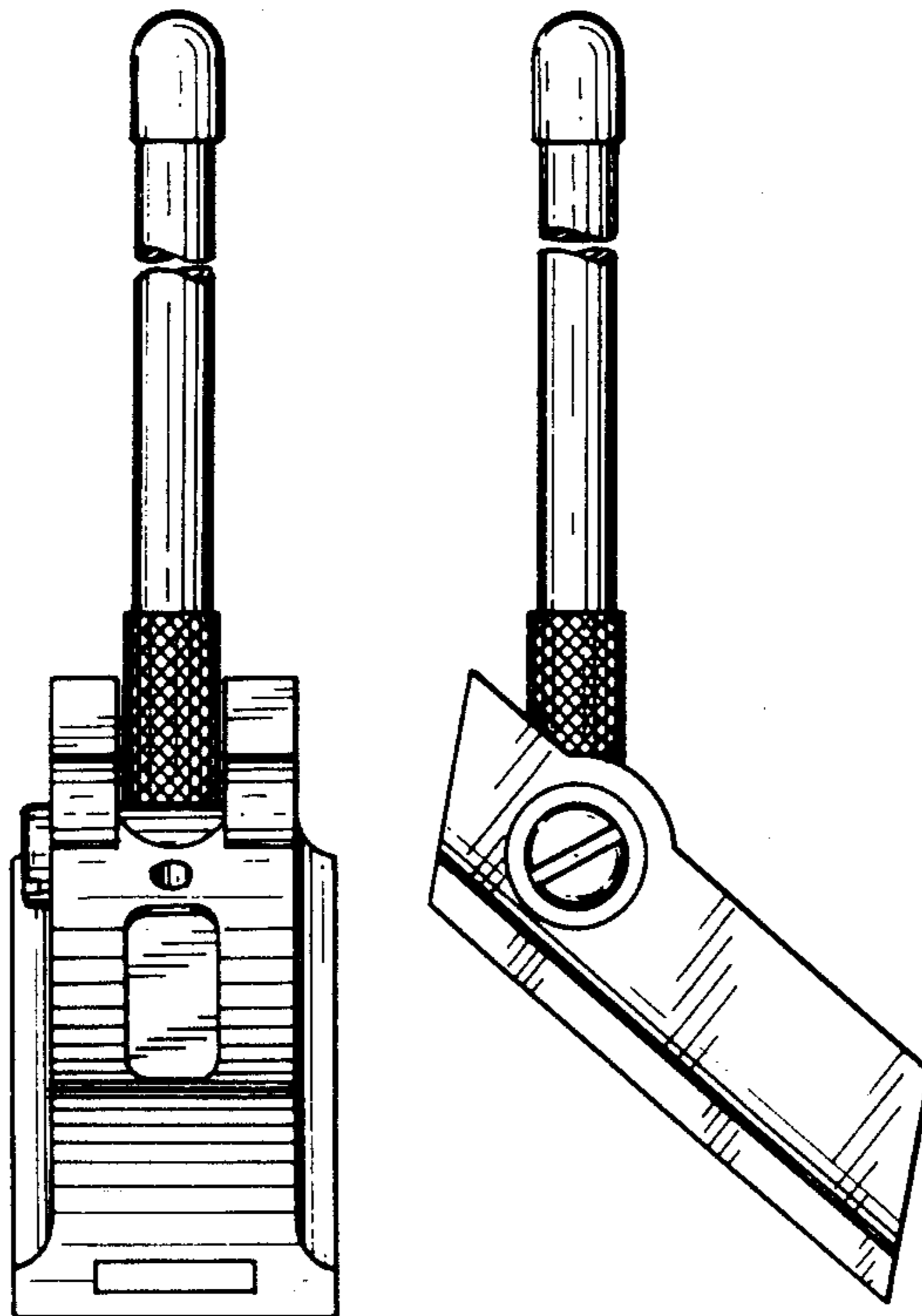
Primary Examiner—Bernard Ansher
Attorney, Agent, or Firm—Dressler, Goldsmith, Shore, Sutker & Milnamow, Ltd.

[57] CLAIM

The ornamental design for a communications antenna assembly and base therefor, as shown and described.

DESCRIPTION

FIG. 1 is a perspective view of an antenna assembly showing our new design and showing a typical placement of the antenna assembly on a vehicle;
 FIG. 2 is a right side elevation thereof;
 FIG. 3 is a front view thereof;
 FIG. 4 is a left side elevation thereof;
 FIG. 5 is a rear end view thereof taken along lines 5—5 of FIG. 2;
 FIG. 6 is a plan view thereof taken along lines 6—6 of FIG. 2;
 FIG. 7 is a right side elevation of the base for the assembly shown separately for clarity of illustration;
 FIG. 8 is a front view thereof;
 FIG. 9 is a left side elevation thereof.
 The broken lines are shown for illustrative purposes only.



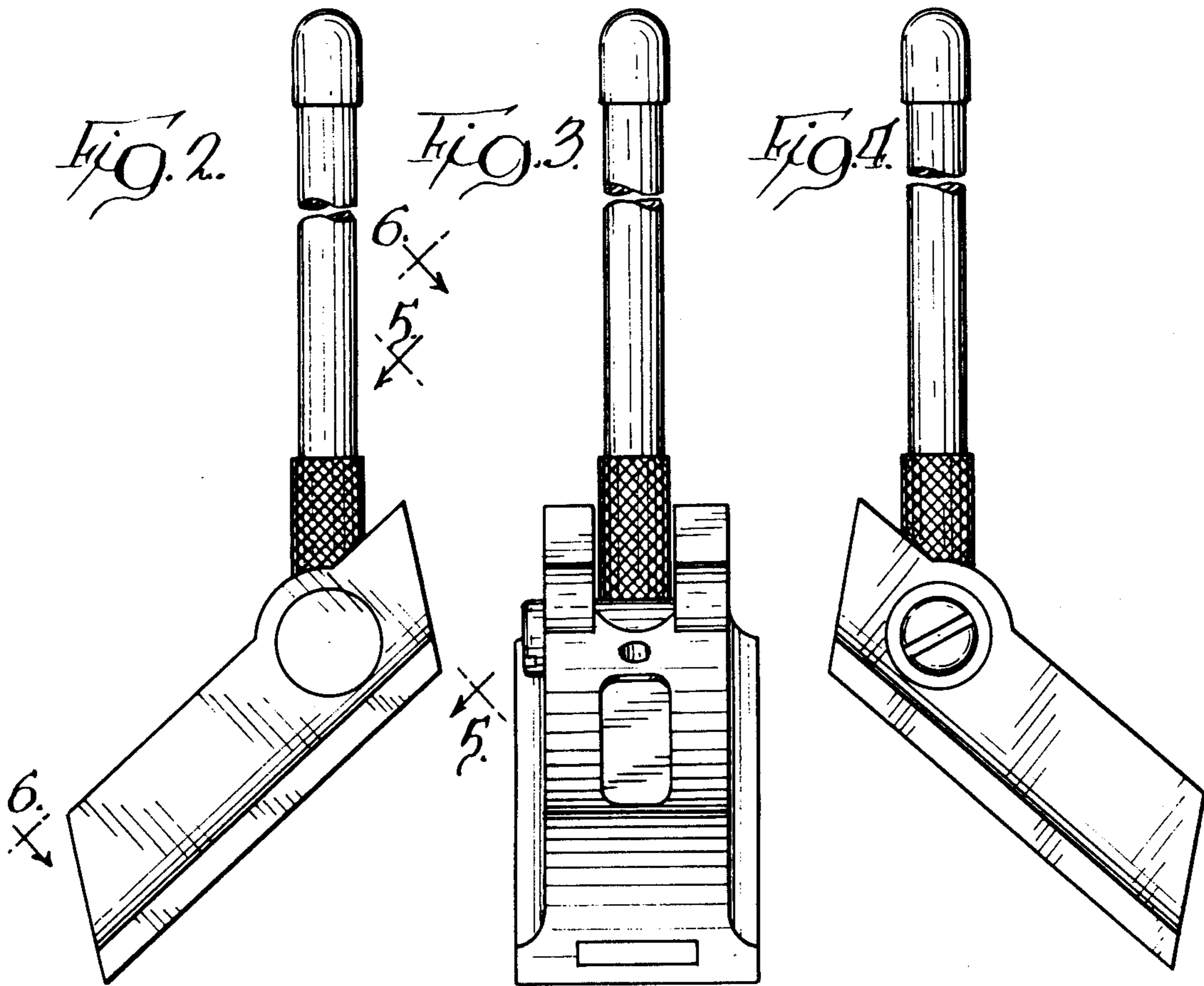
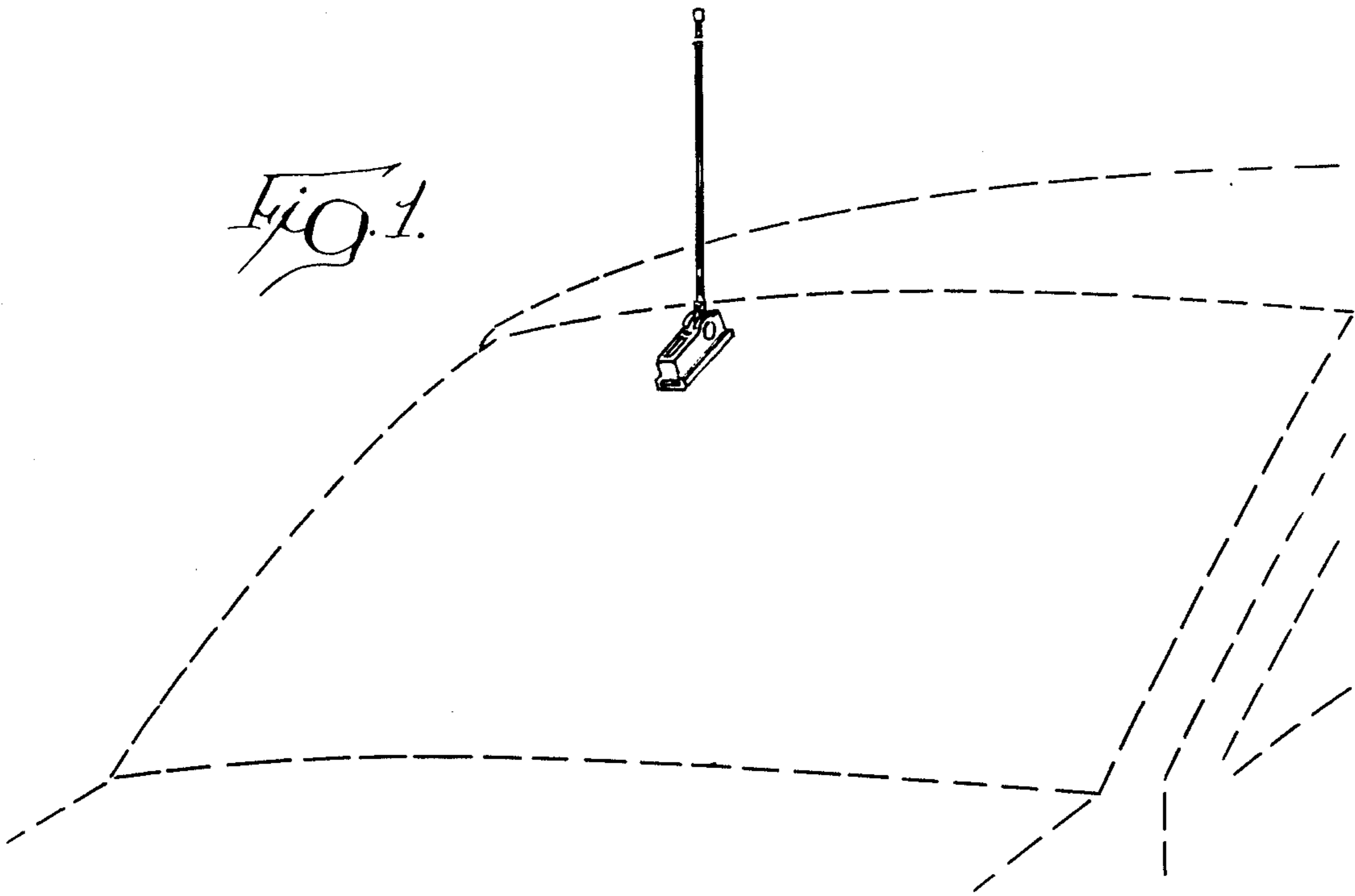


Fig. 5.

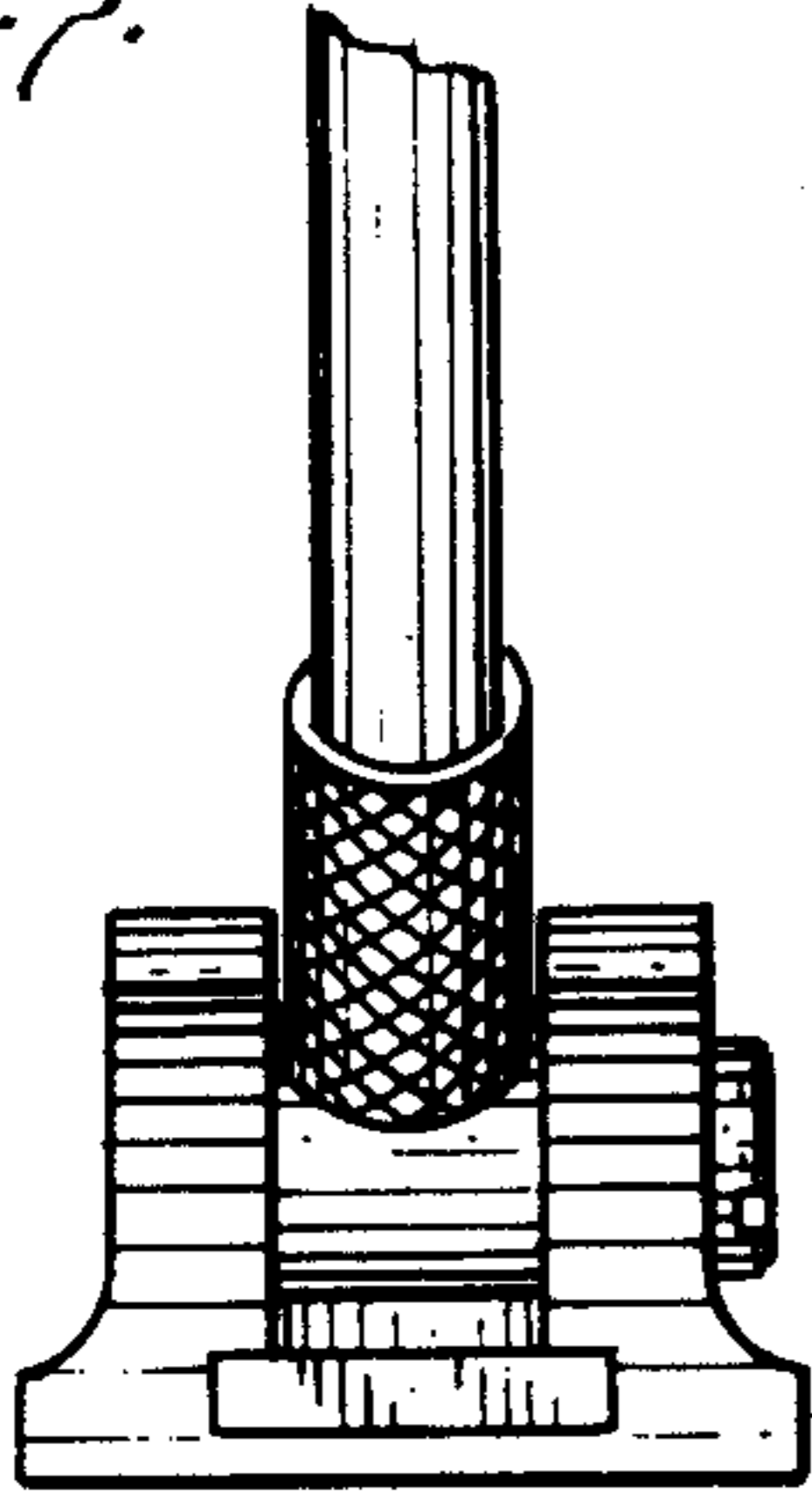


Fig. 6.

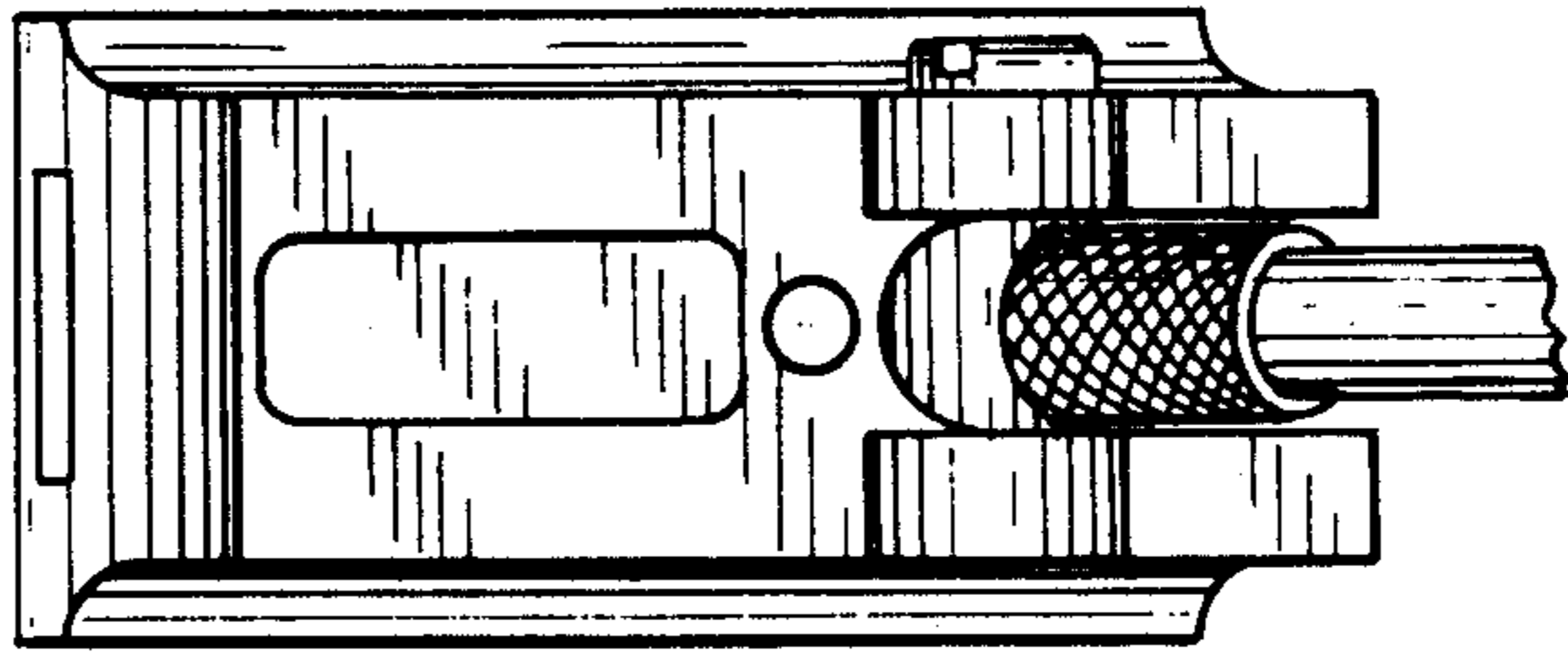


Fig. 7.

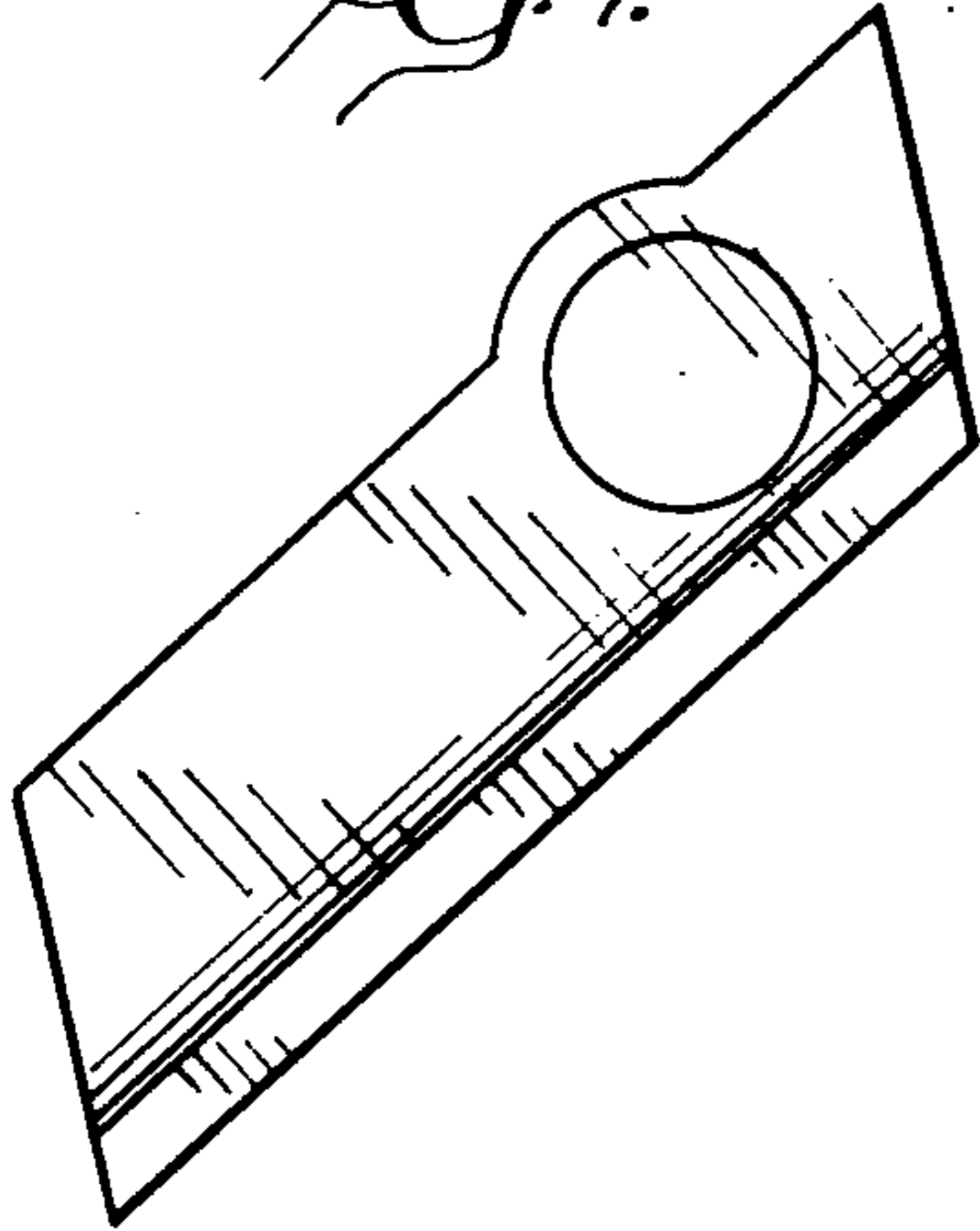


Fig. 8.

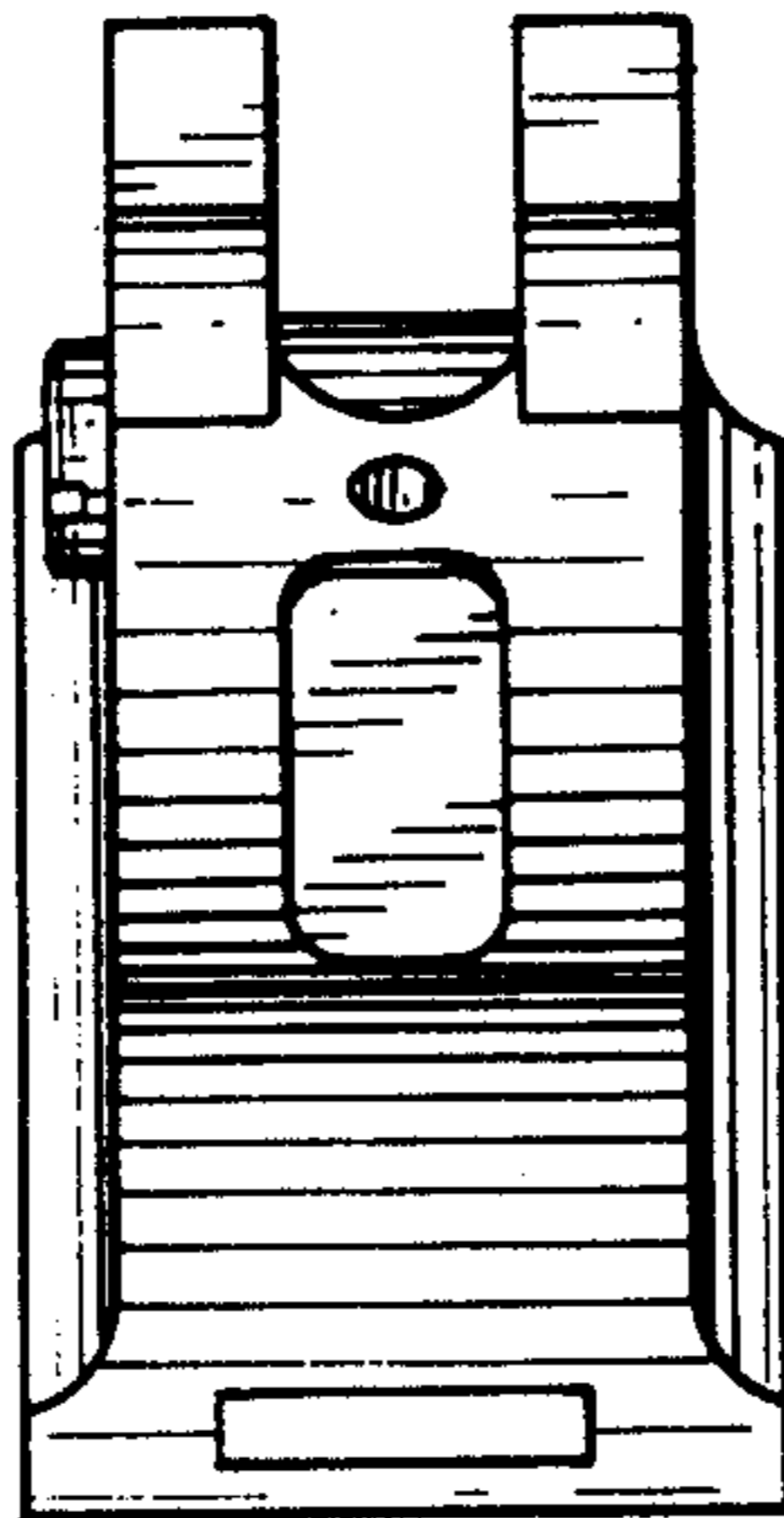


Fig. 9.

