

[54] **SPEAKER MOUNTING BRACKET**

[76] Inventor: **Alexander Cyrell**, 6684 Bonair Pl., Hollywood, Calif. 90028

[**] Term: **14 Years**

[21] Appl. No.: **920,235**

[22] Filed: **Jun. 29, 1978**

[51] Int. Cl. **D14—01; D14—99**

[52] U.S. Cl. **D14/37; D14/38; D6/114; D8/355; D8/363; D8/373; D8/380**

[58] Field of Search **D6/114, 117, 124; 248/286, 285, 288, 288 B, 288 A; D8/373, 285; D14/37, 38**

[56] **References Cited**

U.S. PATENT DOCUMENTS

D. 245,248	8/1977	Brown, Jr.	D14/37
D. 251,944	5/1979	Chasen	D8/373
3,227,414	1/1966	Dean	248/287 X
3,944,178	3/1976	Greenwood	248/288 R
4,050,661	9/1977	Wooldridge	248/285

4,159,092 6/1979 Delano 248/288 X

Primary Examiner—Bernard Ansher
Attorney, Agent, or Firm—Lewis Anten

[57] **CLAIM**

The ornamental design for the speaker mounting bracket, as shown and described.

DESCRIPTION

FIG. 1 is a side elevation of a speaker mounting bracket with the mounting support shield element omitted for clarity of illustration;

FIG. 2 is a top plan view as seen in the direction of line 2—2 of FIG. 1;

FIG. 3 is a front elevation as seen along line 3—3 of FIG. 1 with portions fragmentarily shown for ease of illustration;

FIG. 4 is a fragmentary rear elevation;

FIG. 5 is a front perspective taken at a reduced scale;

FIG. 6 is a side perspective thereof; and

FIG. 7 is a perspective of the mounting support and shield fragmentarily shown for ease and clarity of illustration.

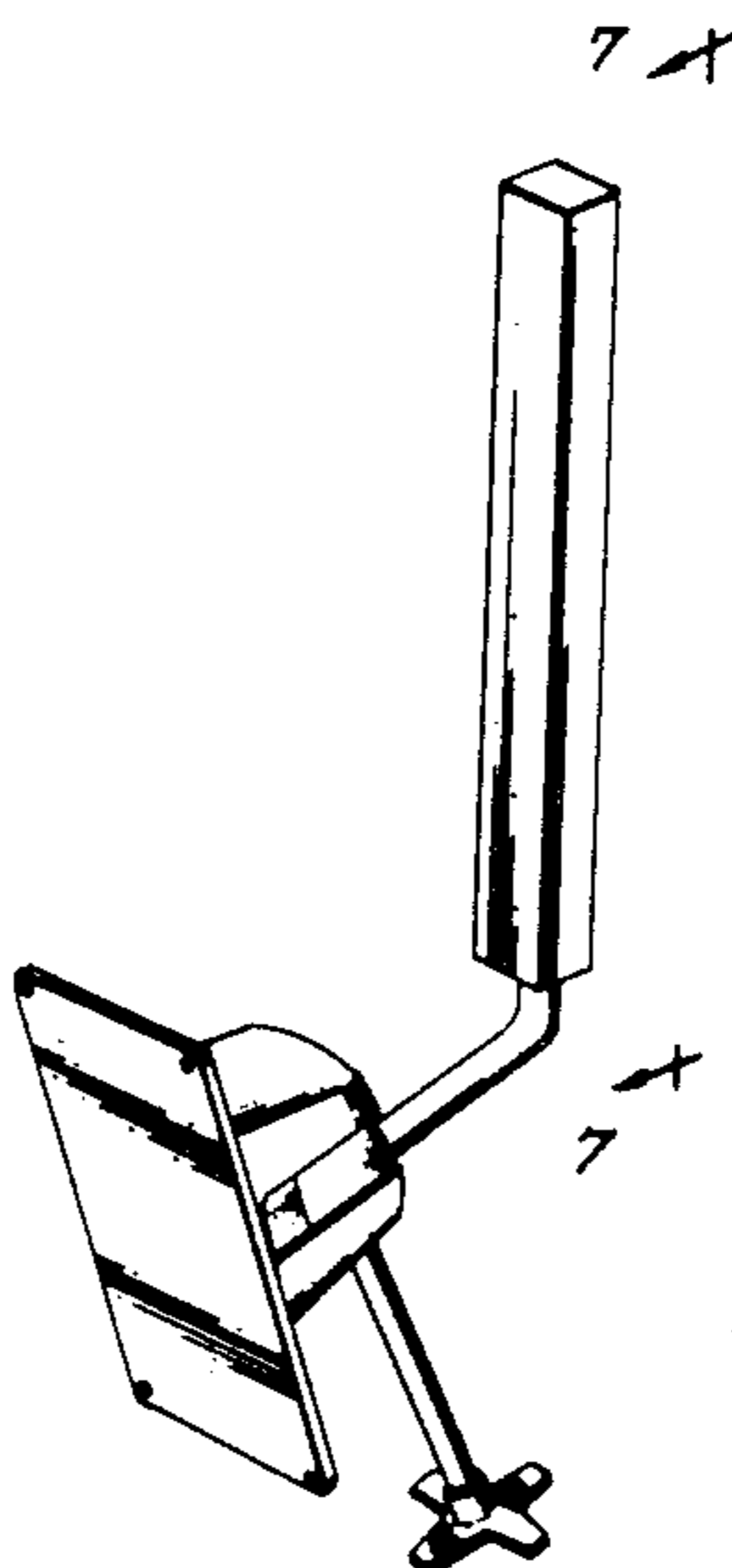
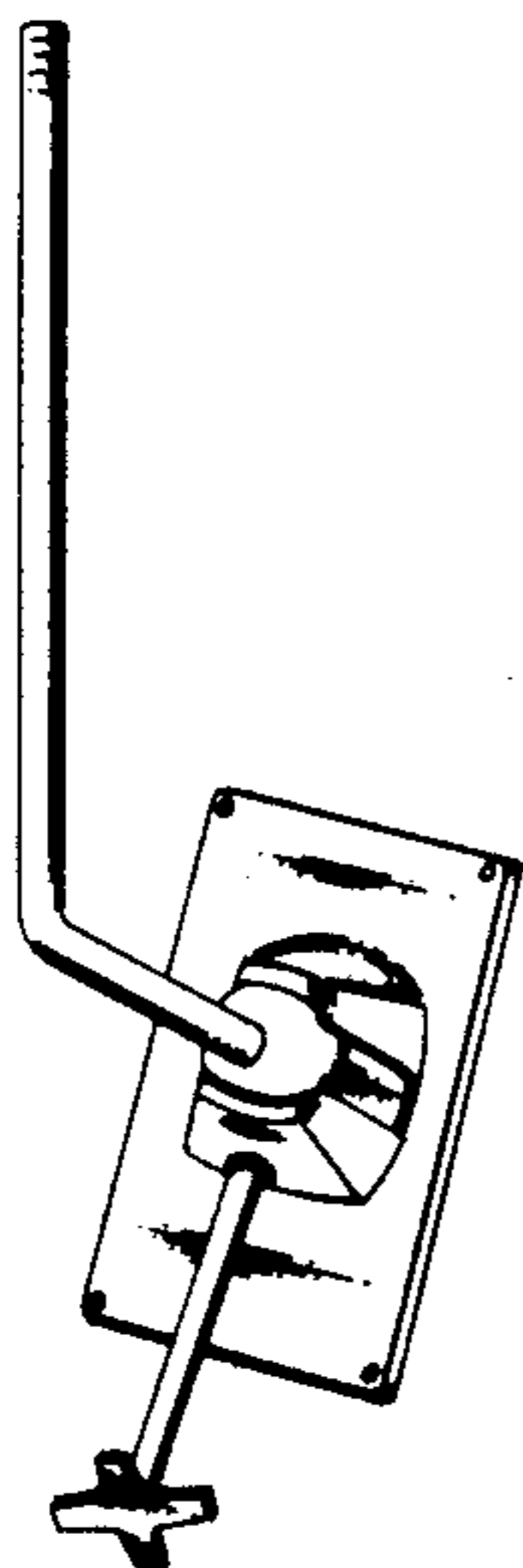


FIG. 2

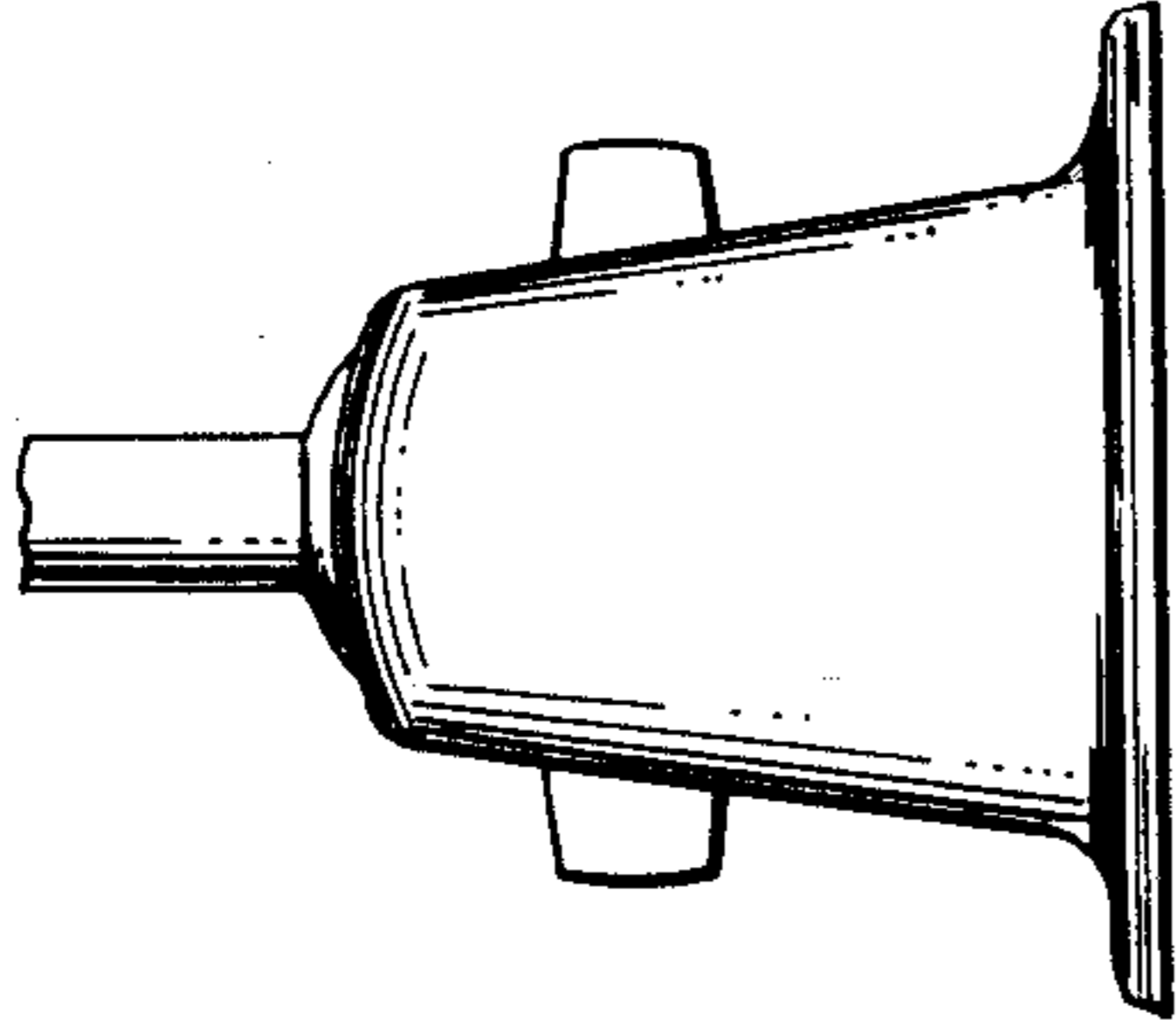


FIG. 3

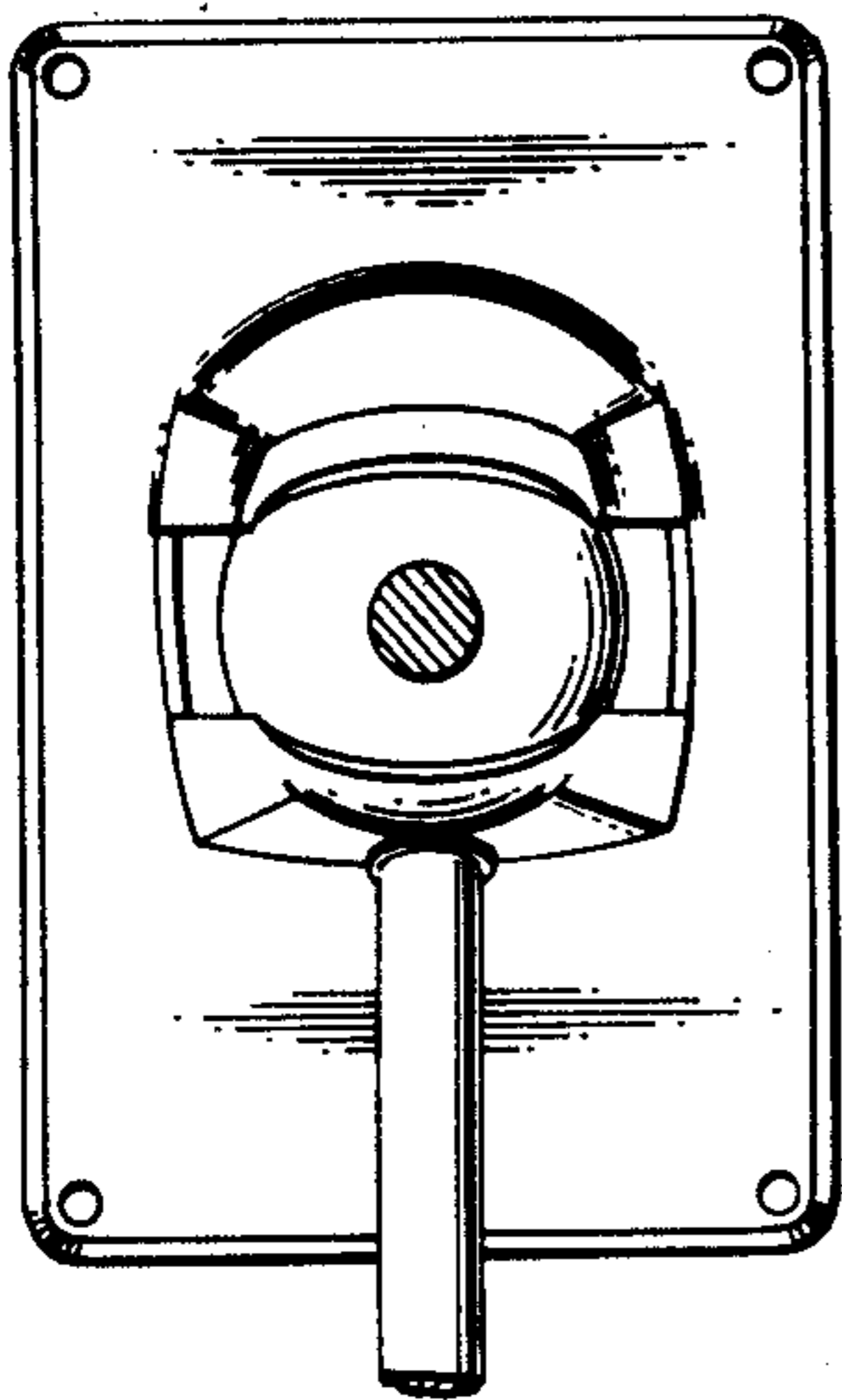


FIG. 4

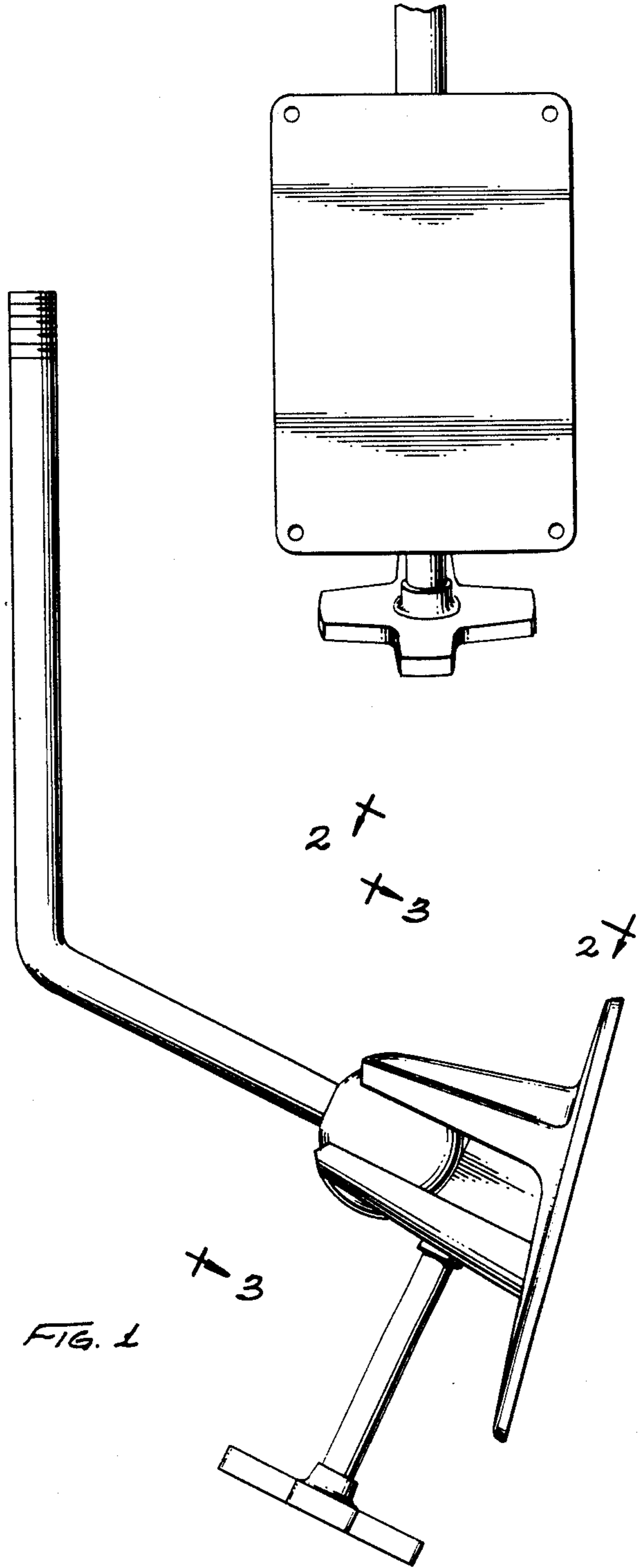


FIG. 1

FIG. 5

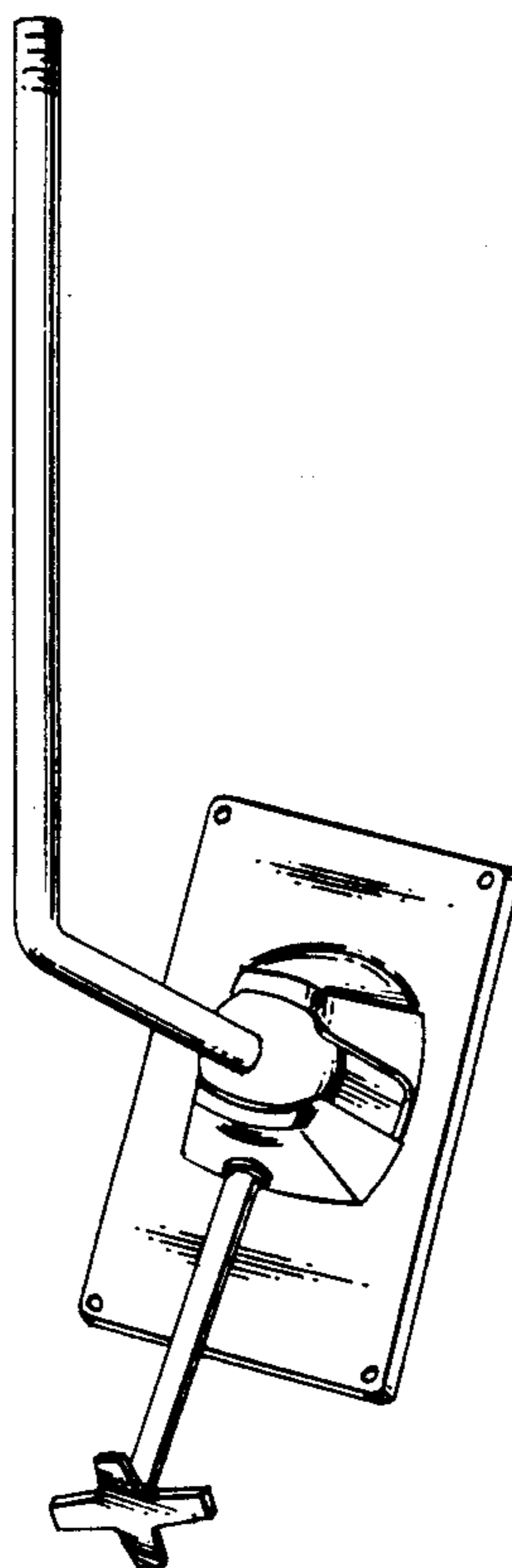


FIG. 6

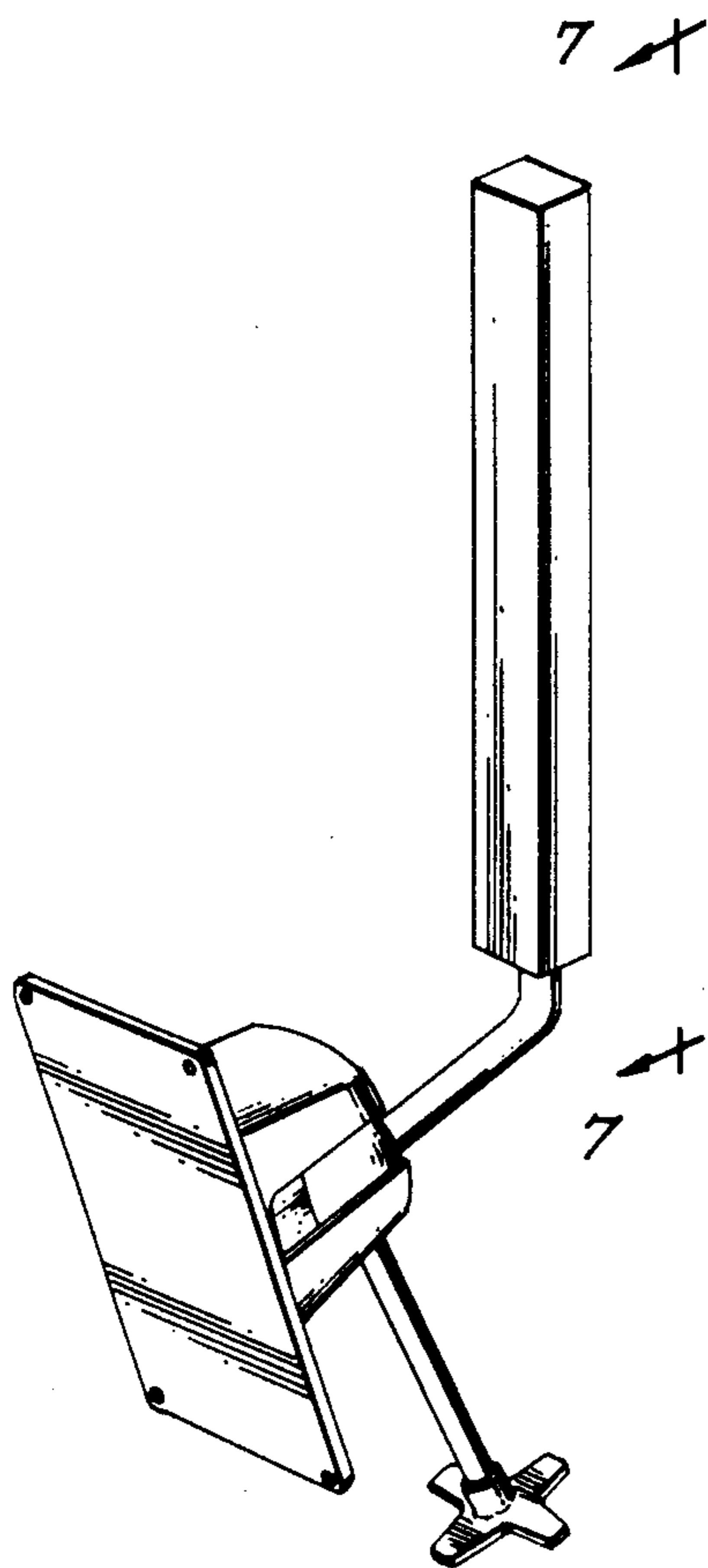


FIG. 7

