

[54] PNEUMATIC TIRE TREAD AND BUTTRESS

[75] Inventor: Gerassimos C. Candiliotis, Grosse Pointe Farms, Mich.

[73] Assignee: Uniroyal, Inc., New York, N.Y.

[\*\*] Term: 14 Years

[21] Appl. No.: 40,007

[22] Filed: May 17, 1979

[51] Int. Cl. .... D12-15

[52] U.S. Cl. .... D12/146

[58] Field of Search ..... D12/141-143, D12/146-151; 152/209 R, 209 A, 209 B, 209 D

[56] References Cited

U.S. PATENT DOCUMENTS

D. 212,271	9/1968	Duncan .....	D12/147
D. 223,888	6/1972	Bartlett .....	D12/146
D. 239,931	5/1976	Duncan .....	D12/146

OTHER PUBLICATIONS

Tire Review, 8/78, P. 107, Truck Radial Tire, top center of page.

Primary Examiner—James M. Gandy  
Attorney, Agent, or Firm—Charles A. Blank

[57] CLAIM

The ornamental design for a pneumatic tire tread and buttress, substantially as shown and described.

DESCRIPTION

FIG. 1 is a perspective view, partly schematic, of a pneumatic tire tread and buttress embodying my new design, it being understood that the pattern is repeated throughout the circumference of the tread and buttress, as shown schematically by solid lines, and that the buttress pattern is repeated on the opposite side; FIG. 2 is an enlarged, fragmentary developmental plan view of the tread and buttress of FIG. 1; and FIG. 3 is a greatly enlarged sectional view of the tread and buttress, taken substantially as indicated by line 3-3 of FIG. 2.

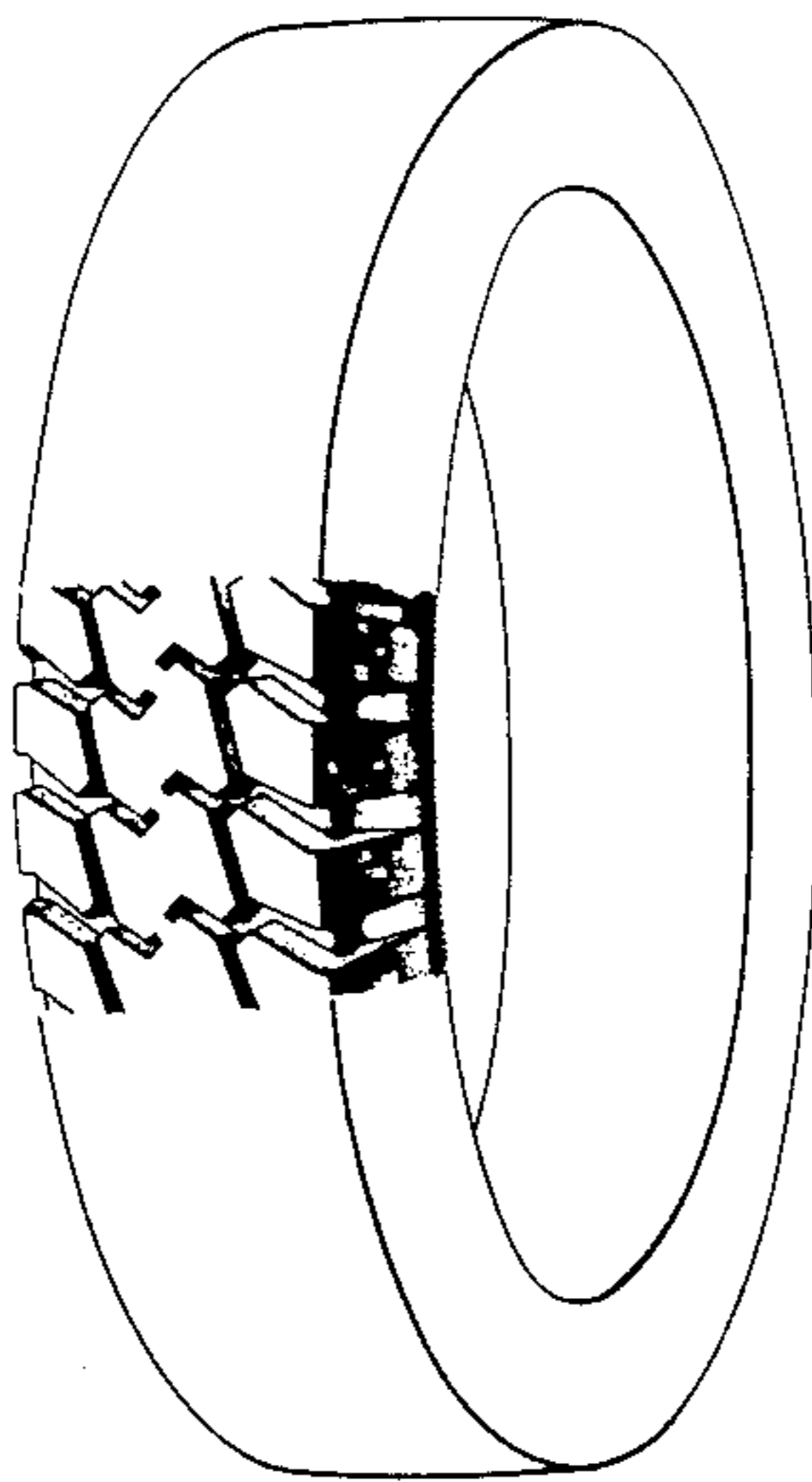


Fig. 1.

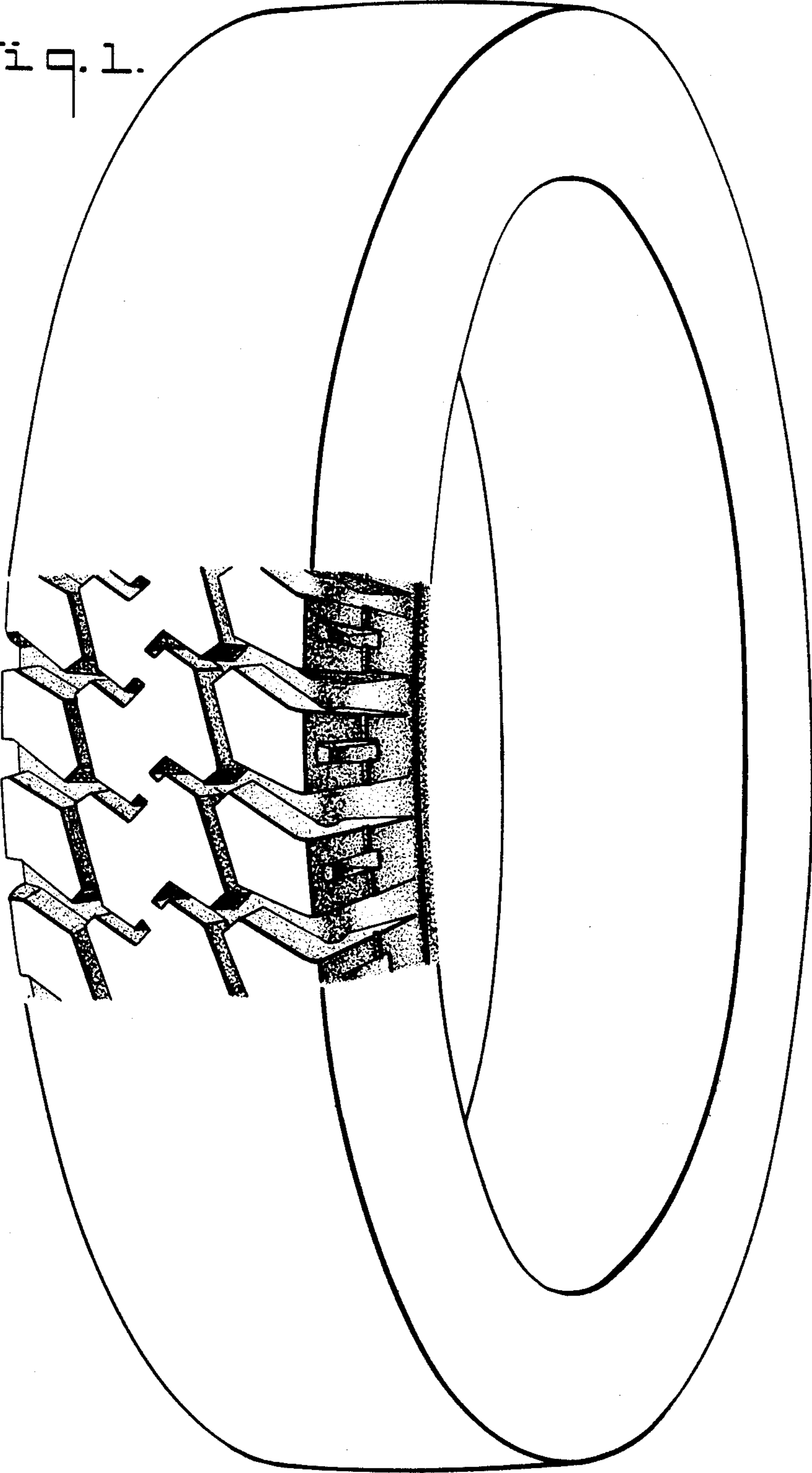
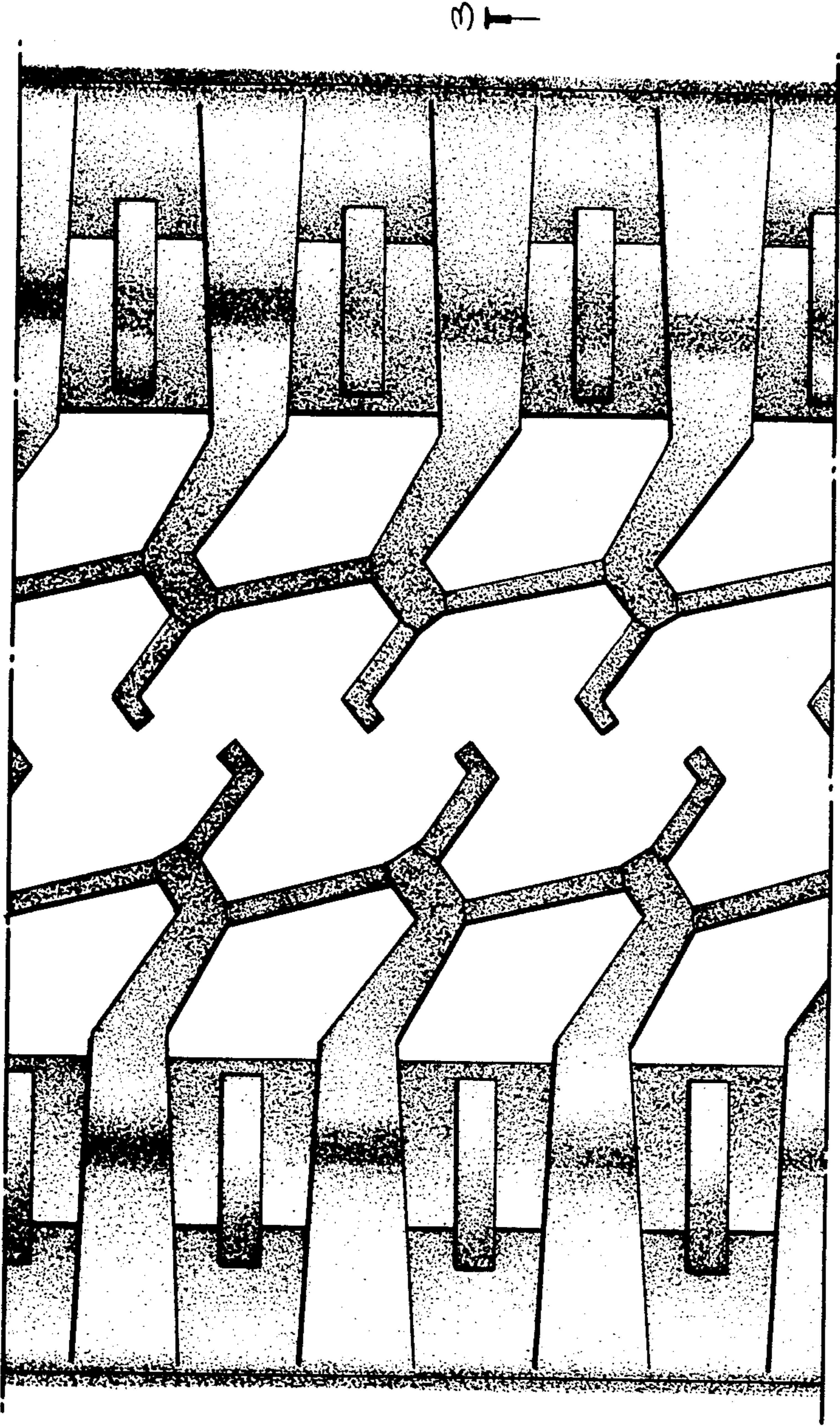


Fig. 2.



→

→

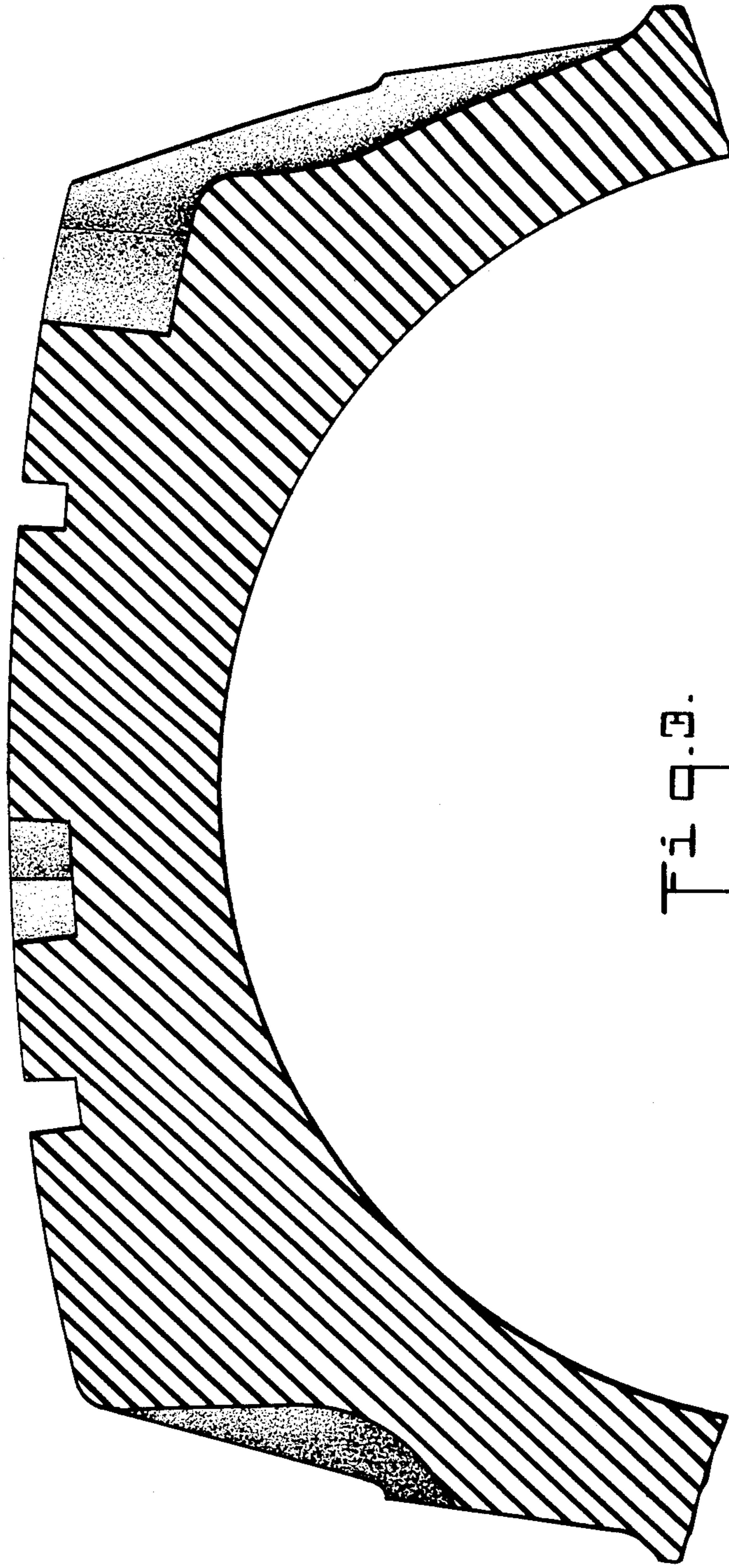


Fig. 3.