

[54] GRADUATED T-SCALE

[75] Inventor: Frederick W. Holler, III, Cherry Hill, N.J.

[73] Assignee: Event Systems, Inc., Moorestown, N.J.

[**] Term: 14 Years

[21] Appl. No.: 58,958

[22] Filed: Jul. 19, 1979

[51] Int. Cl. D10-04

[52] U.S. Cl. D10/65

[58] Field of Search D10/65, 61, 70, 71; 33/479, 494, 474, 468

[56] References Cited

U.S. PATENT DOCUMENTS

D. 215,757	10/1969	Chang	D10/65
1,242,722	10/1917	Reilly	33/479
1,458,152	6/1923	Schenck	33/479

Primary Examiner—Nelson C. Holtje
Attorney, Agent, or Firm—Duffield & Lehrer

[57] CLAIM

The ornamental design for a "graduated T-scale", substantially as shown and described.

DESCRIPTION

FIG. 1 is a front perspective view of a "graduated T-scale" showing my new design, and FIG. 2 is a rear perspective view thereof.

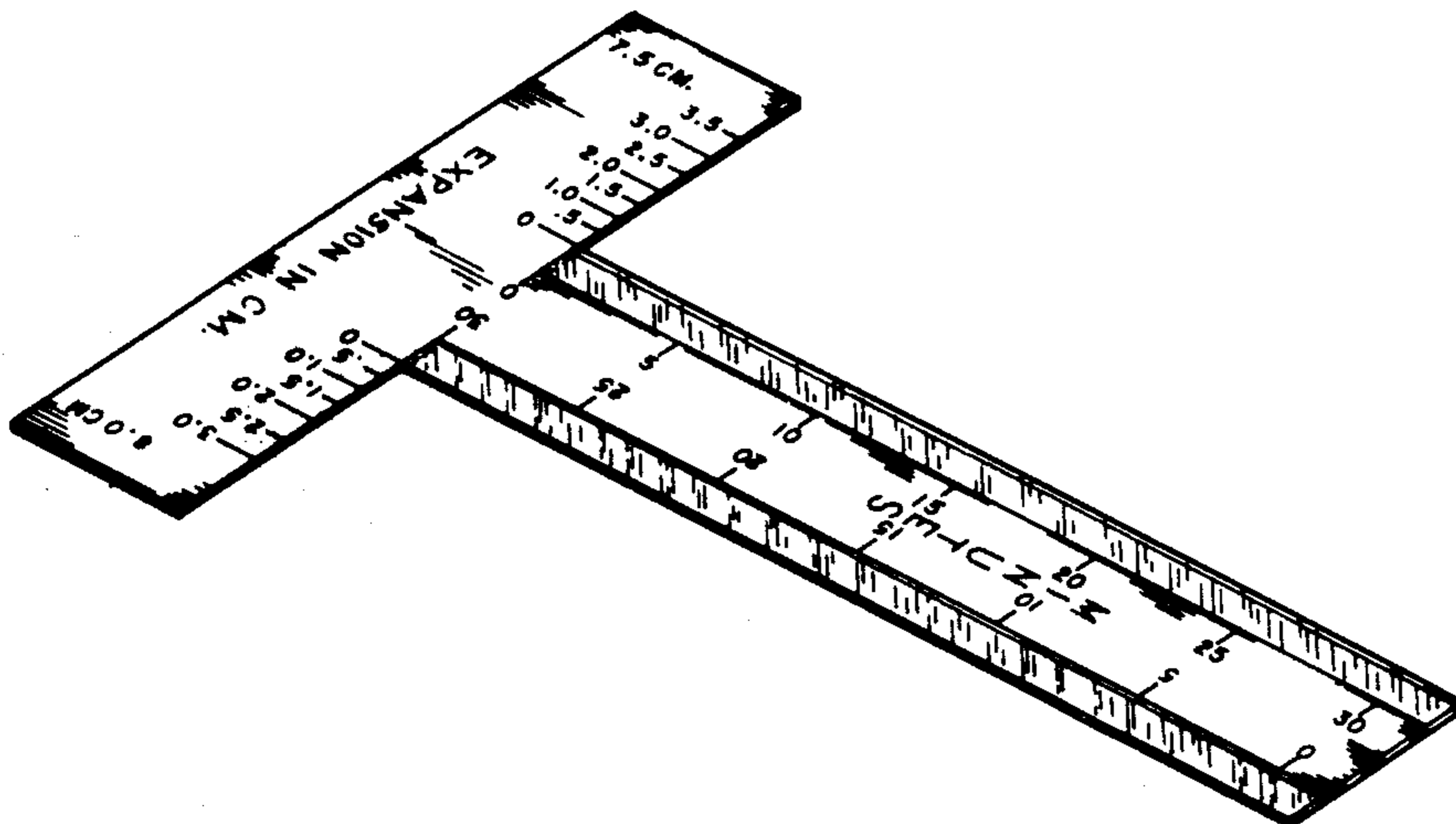


Fig. 1

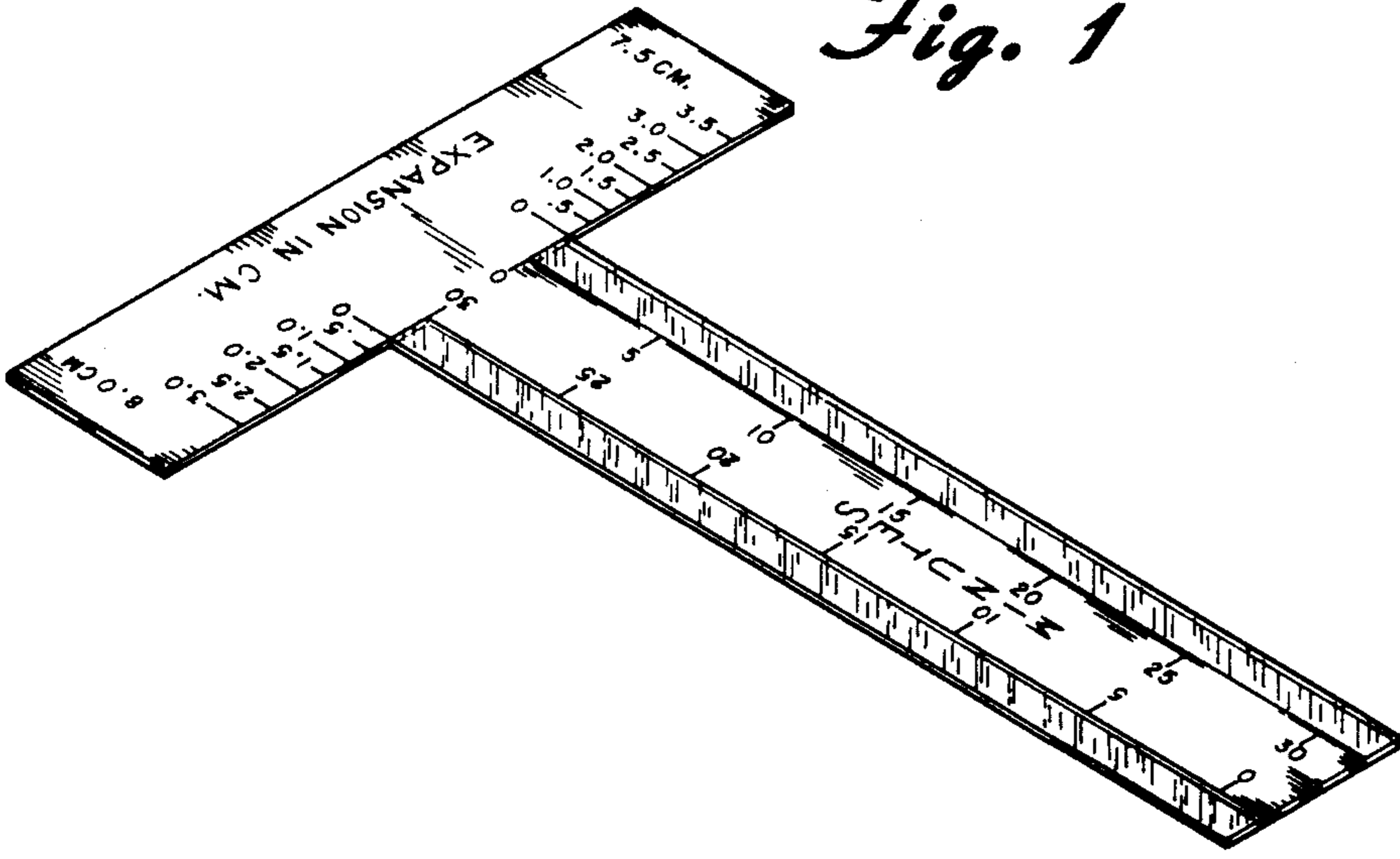


Fig. 2

