

[54] COLOGNE BOTTLE

[75] Inventor: **Ralph Lauren**, New York, N.Y.

[73] Assignee: **Warner/Lauren Ltd.**, New York, N.Y.

[**] Term: **14 Years**

[21] Appl. No.: **923,417**

[22] Filed: **Jul. 10, 1978**

[51] Int. Cl. **D9—01**

[52] U.S. Cl. **D9/413**

[58] Field of Search **D9/167, 168, 59, 71, D9/62; 215/1 R, 1 C**

[56] **References Cited**

U.S. PATENT DOCUMENTS

D. 74,795 3/1928 Lewis D9/163

D. 149,504 5/1948 Levy D9/62
D. 244,912 7/1977 Conesa D9/167

Primary Examiner—Robert C. Spangler
Attorney, Agent, or Firm—Ladas & Parry

[57] **CLAIM**

The ornamental design for a cologne bottle, as shown and described.

DESCRIPTION

FIG. 1 is a frontal perspective view of a cologne bottle showing my new design;
FIG. 2 is a front elevational view thereof;
FIG. 3 is a top plan view thereof;
FIG. 4 is a side elevational view thereof, the other side elevational view thereof being identical;
FIG. 5 is a bottom plan view thereof; and
FIG. 6 is a cross sectional view thereof taken along the plane of line 6—6 in FIG. 4.



Fig. 1



Fig. 2

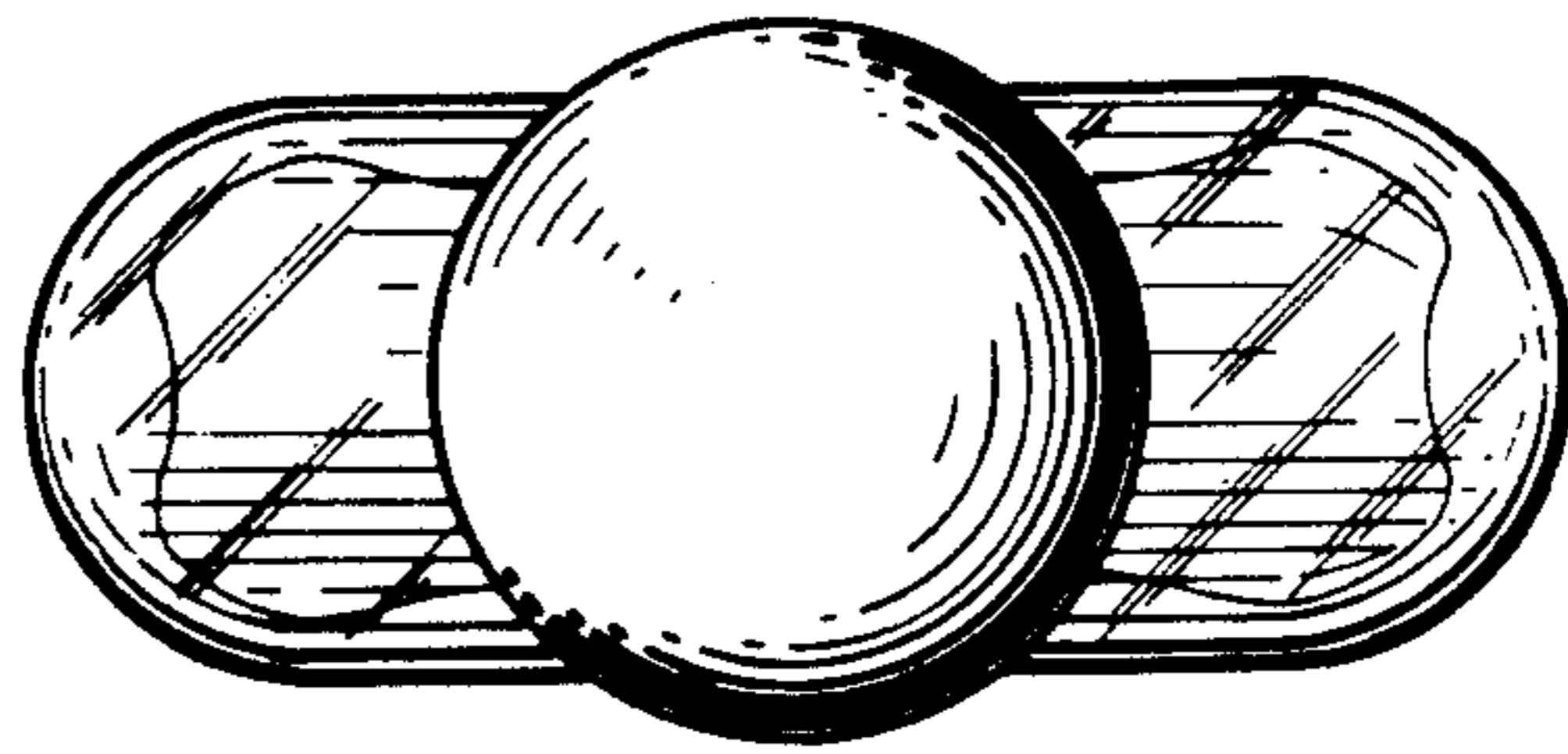


Fig. 3

Fig. 4

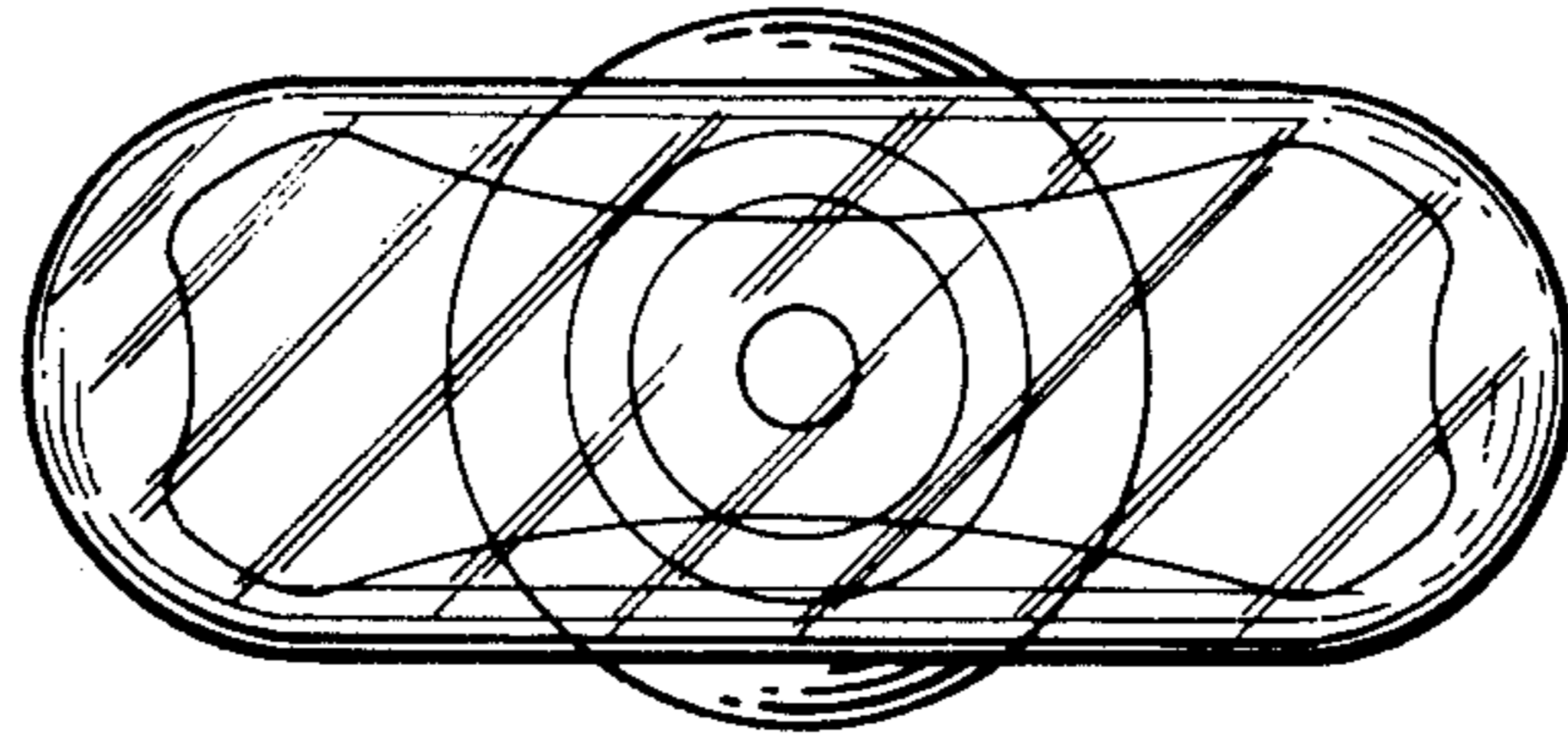
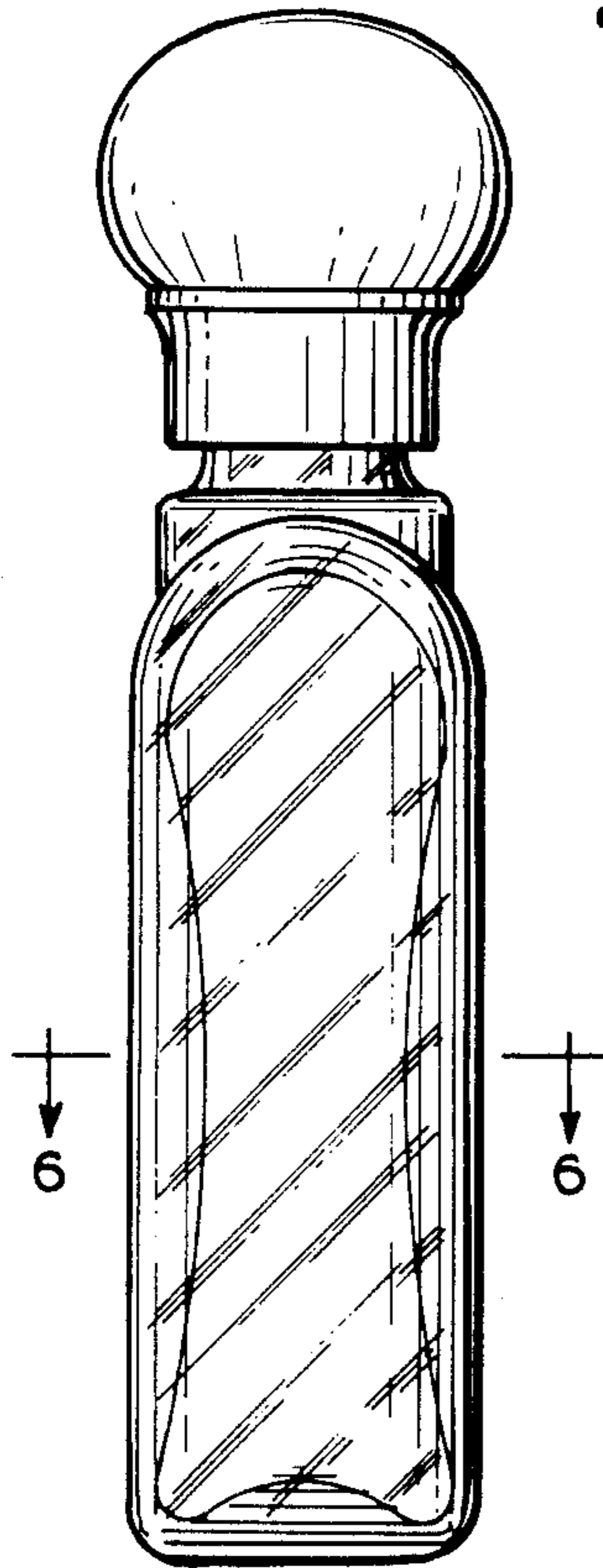


Fig. 5

Fig. 6

