

[54] TAP AND DIE WRENCH

[75] Inventor: Edward M. Rolnick, North Dartmouth, Mass.

[73] Assignee: Gulf & Western Manufacturing Company, Southfield, Mich.

[**] Term: 14 Years

[21] Appl. No.: 826,428

[22] Filed: Aug. 22, 1977

[51] Int. Cl. D08-05
[52] U.S. Cl. D8/98
[58] Field of Search 408/238, 239, 240; D8/98

[56]

References Cited

U.S. PATENT DOCUMENTS

1,352,253 9/1920 Eichendorff 408/240
2,826,950 3/1958 McClintock 408/240

OTHER PUBLICATIONS

Snap-On Tools Catalog 701-P; p. 108; relying on tool No. TD-2400A upper right corner.

Primary Examiner—W. Stallard

Attorney, Agent, or Firm—Gregory J. Battersby

[57]

CLAIM

The ornamental design for a tap and die wrench, as shown.

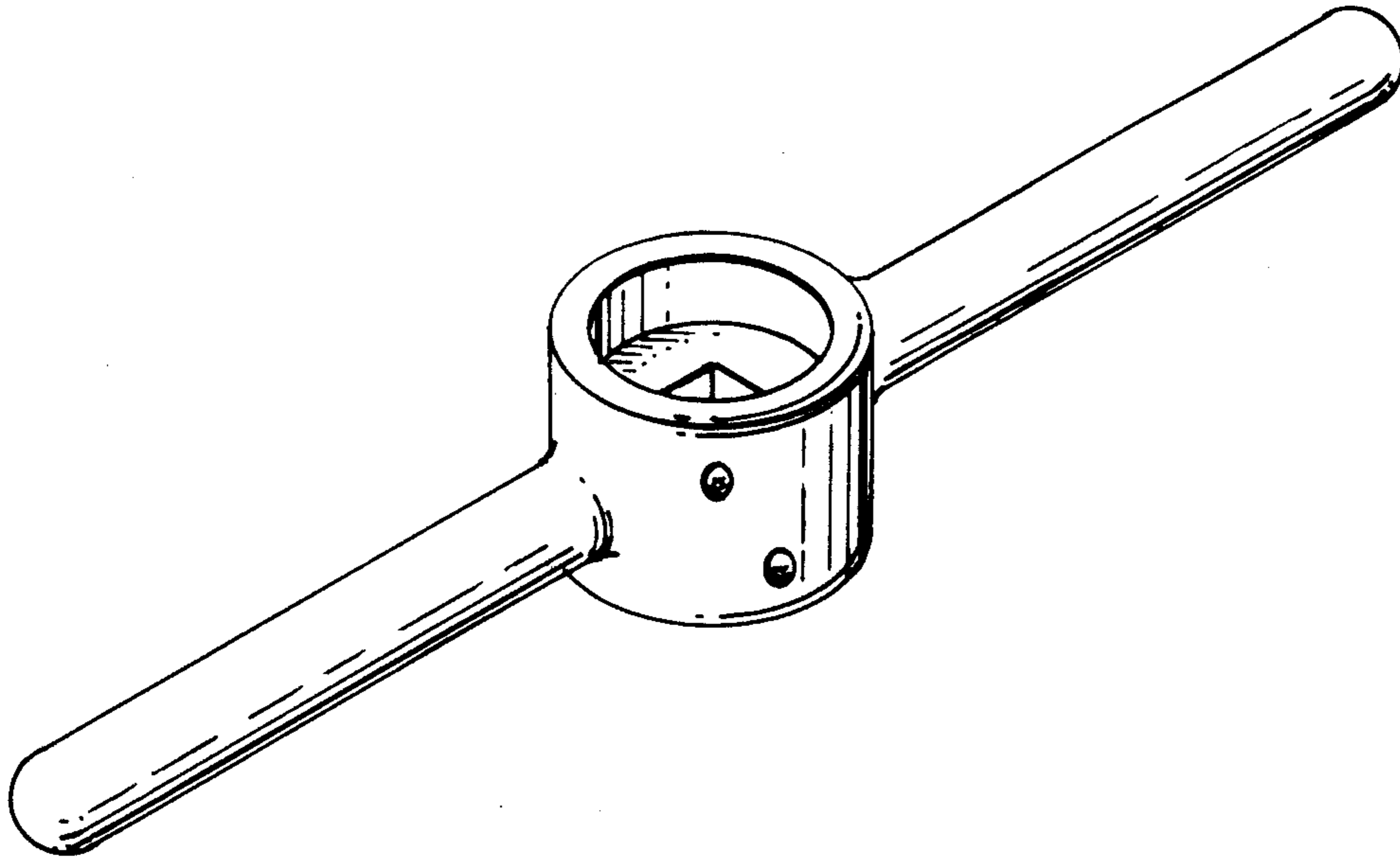
DESCRIPTION

FIG. 1 is a top plan view of a tap and die wrench showing my new design;

FIG. 2 is a side view thereof;

FIG. 3 is a bottom view thereof; and

FIG. 4 is a perspective view thereof.



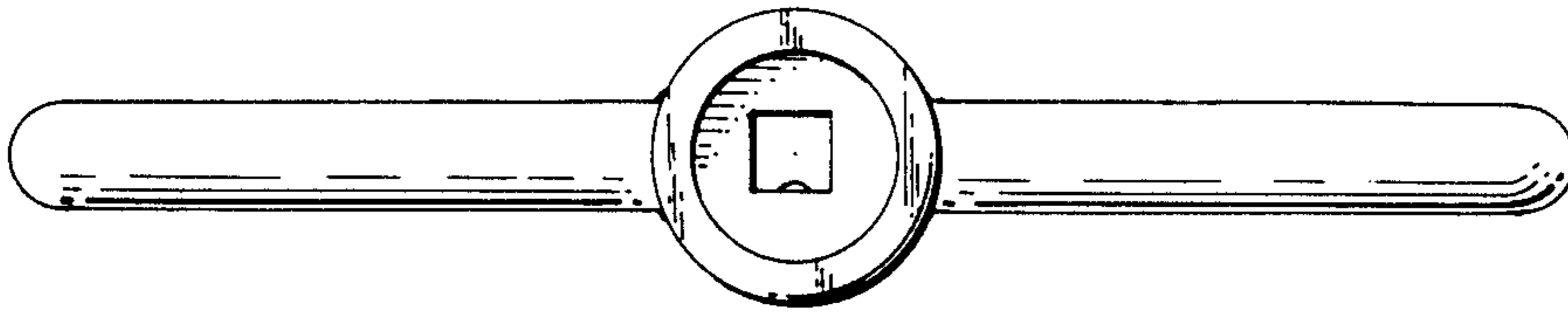


Fig. 1

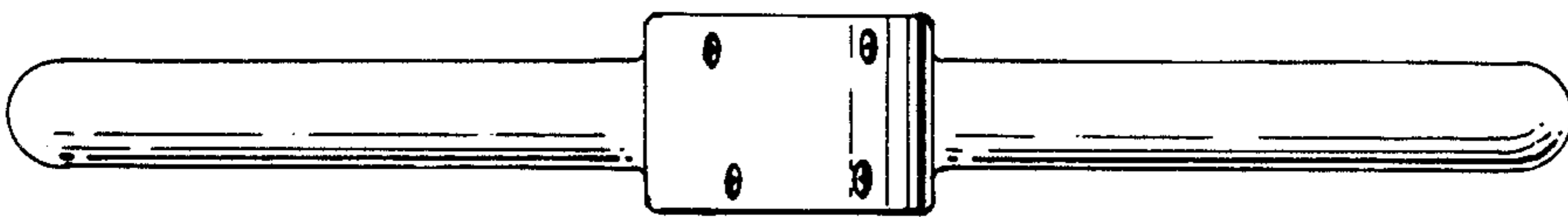


Fig. 2

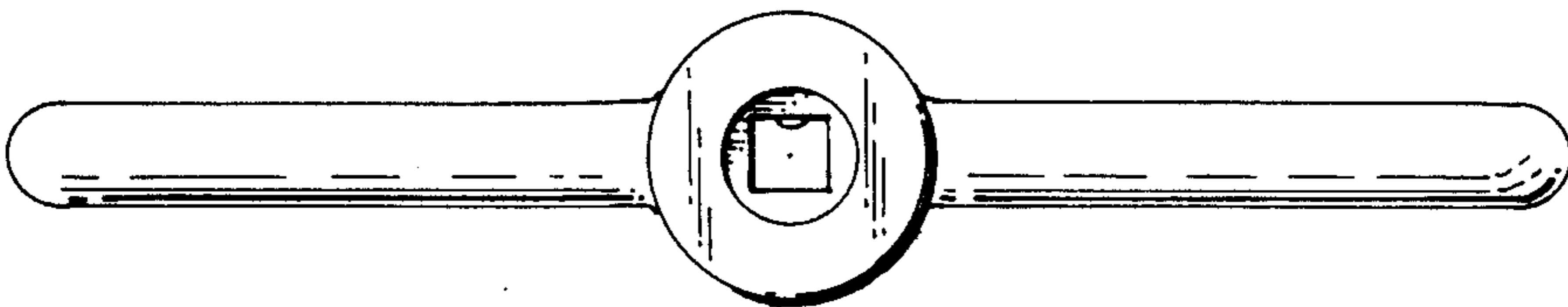


Fig. 3

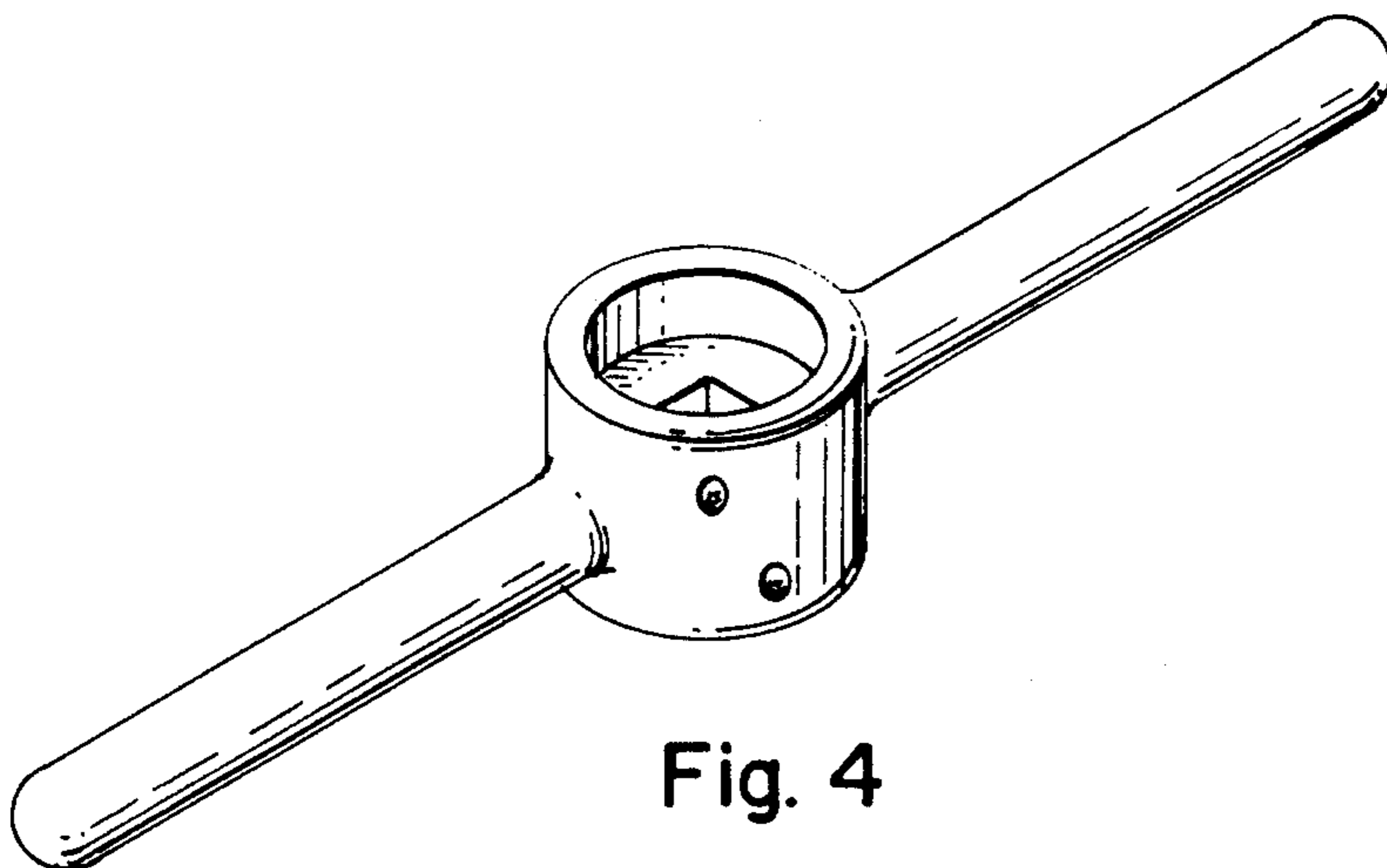


Fig. 4