

[54] PEPPER MILL

[75] Inventor: David A. Cowan, London, England

[73] Assignee: Cole & Mason, U.S.A., Ltd., Great Neck, N.Y.

[**] Term: 14 Years

[21] Appl. No.: 34,156

[22] Filed: Apr. 27, 1979

[51] Int. Cl. D07-06

[52] U.S. Cl. D7/53

[58] Field of Search 241/168, 169, 169.1; D7/53, 155, 160, 153, 54, 55, 57; D15/100, 92

[56] References Cited

U.S. PATENT DOCUMENTS

198,554	12/1877	White	241/168 X
207,434	8/1878	Morgan	241/168 X

2,407,808	9/1946	Bivans	241/169.1 X
2,688,448	9/1954	Lenz	241/168

OTHER PUBLICATIONS

Regal Pepper Mills, item #R-103, Black Walnut Mill, top left area.

Primary Examiner—Winifred E. Herrmann
Attorney, Agent, or Firm—Darby & Darby

[57] CLAIM

The ornamental design for a pepper mill, substantially as shown.

DESCRIPTION

FIG. 1 is a front elevational view of a pepper mill showing my new design;
FIG. 2 is a rear elevational view thereof;
FIG. 3 is a top plan view thereof;
FIG. 4 is a left side elevational view of FIG. 1; and
FIG. 5 is a bottom plan view thereof.

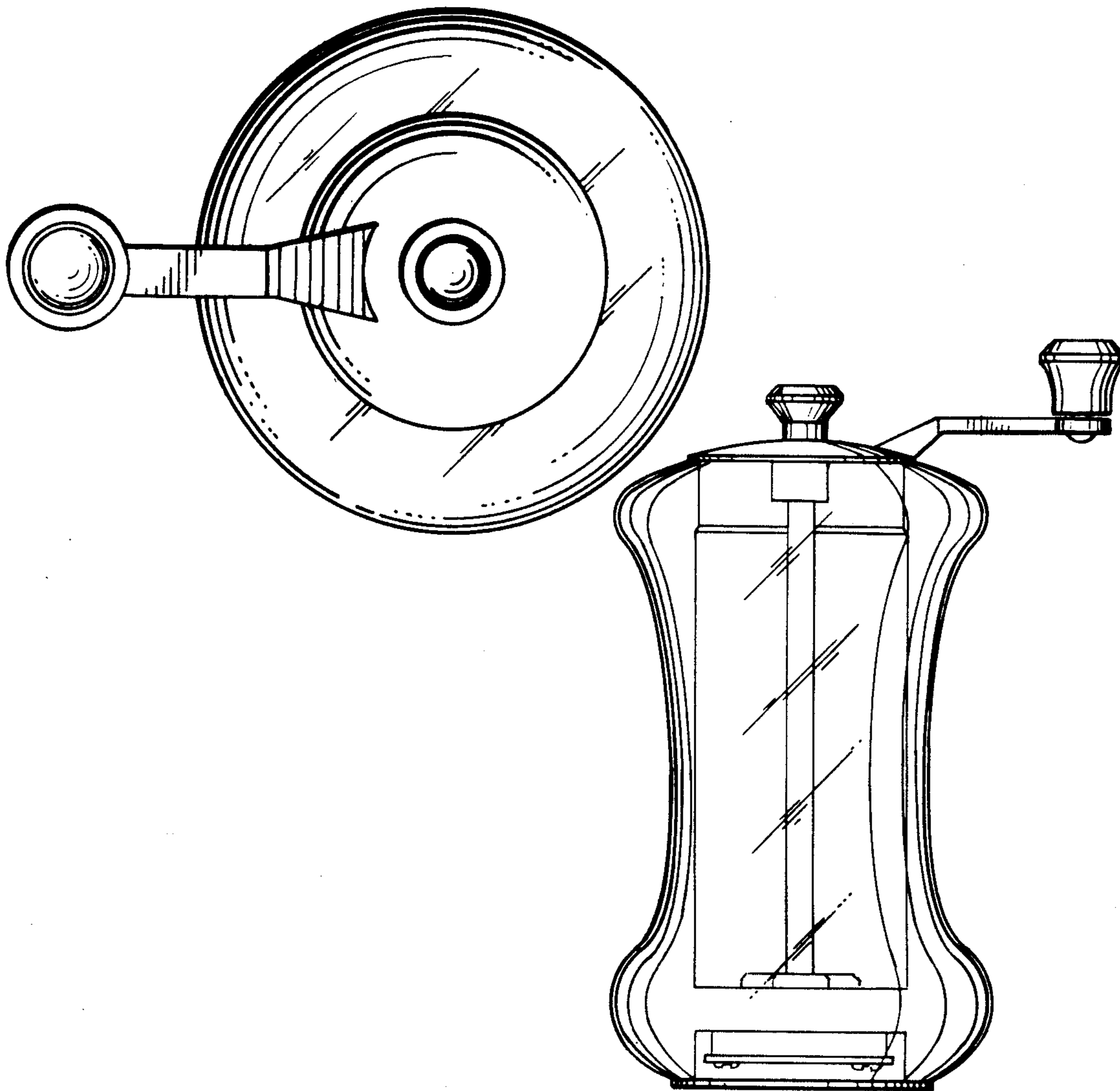


FIG. 1

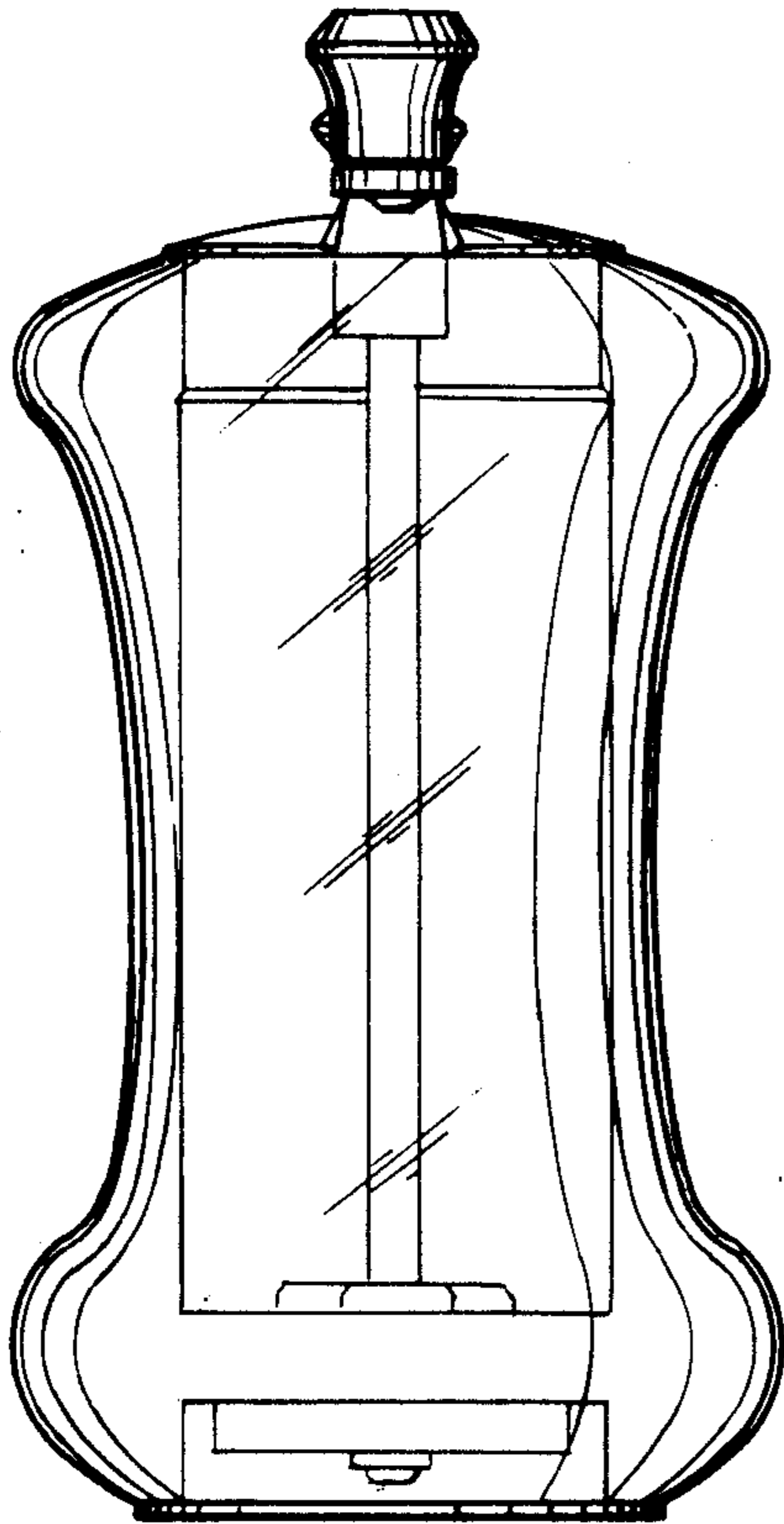


FIG. 2

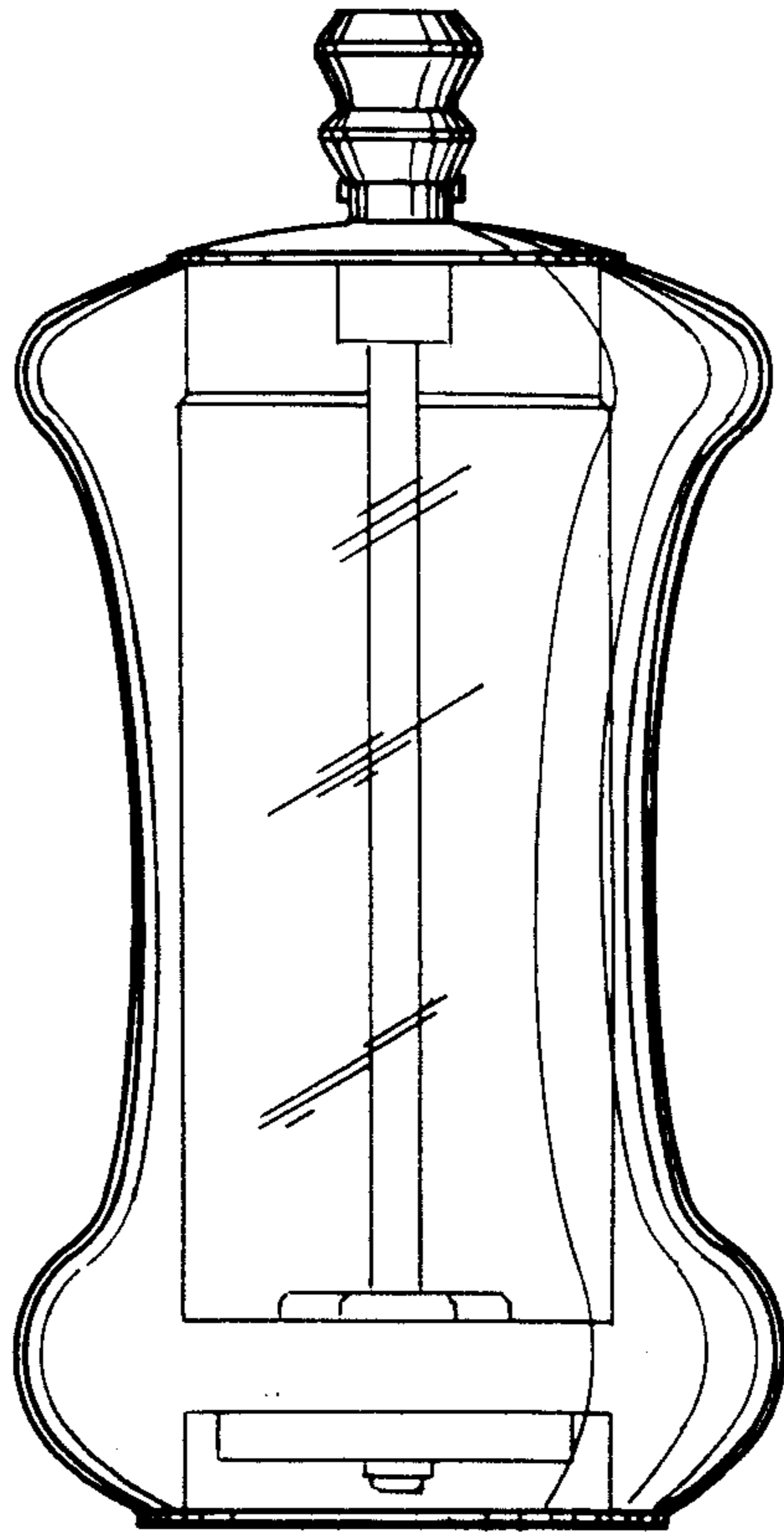


FIG. 3

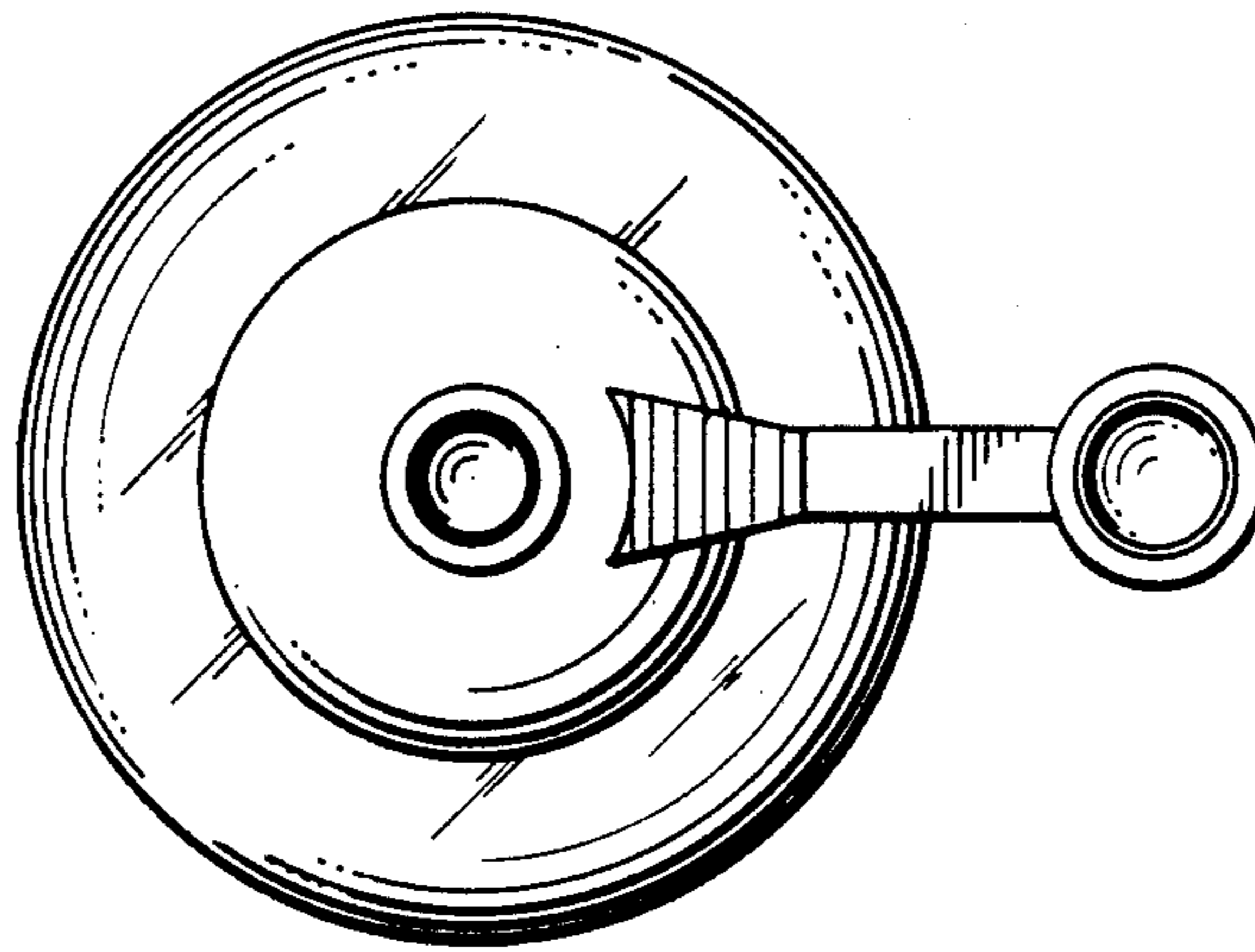


FIG. 4

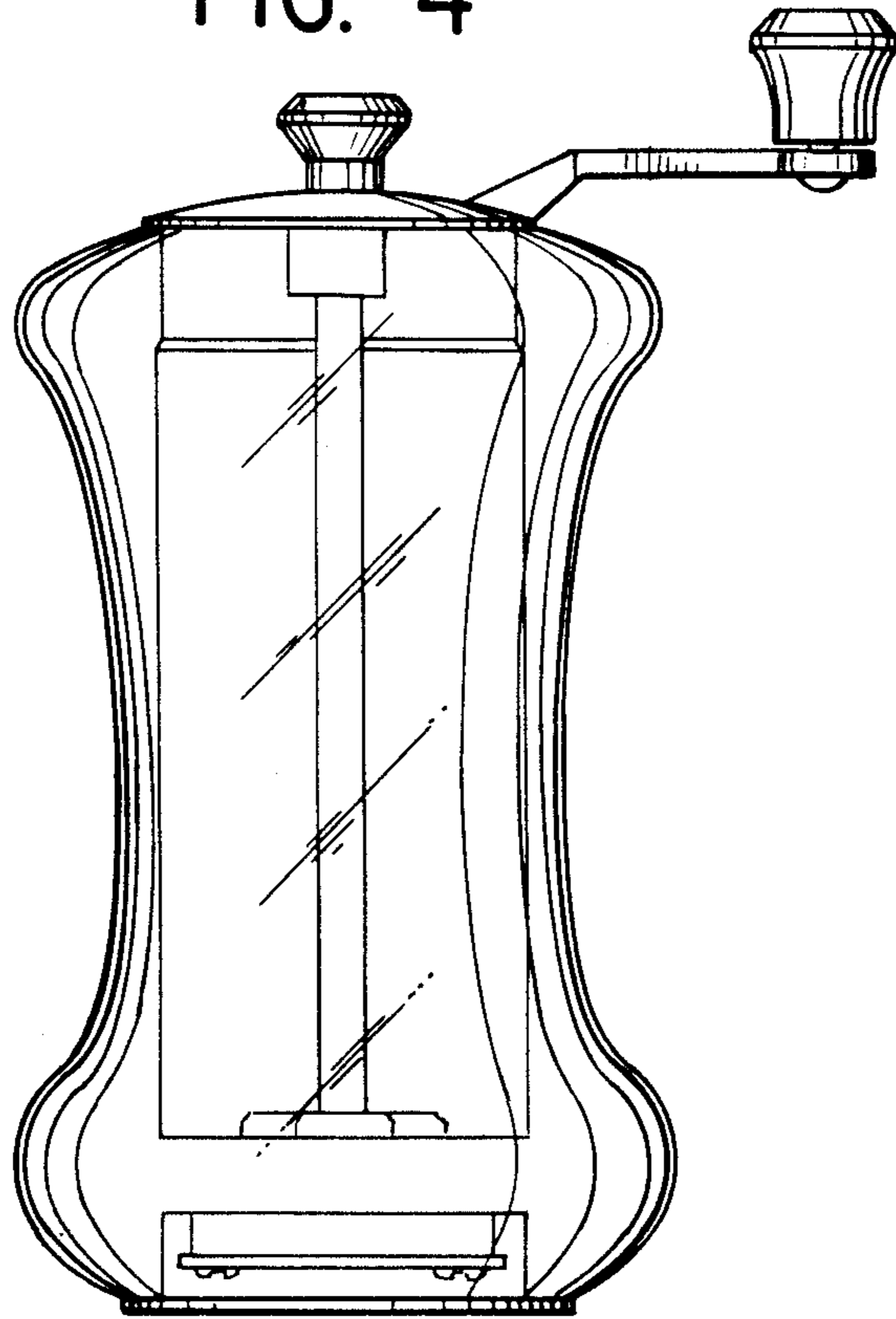
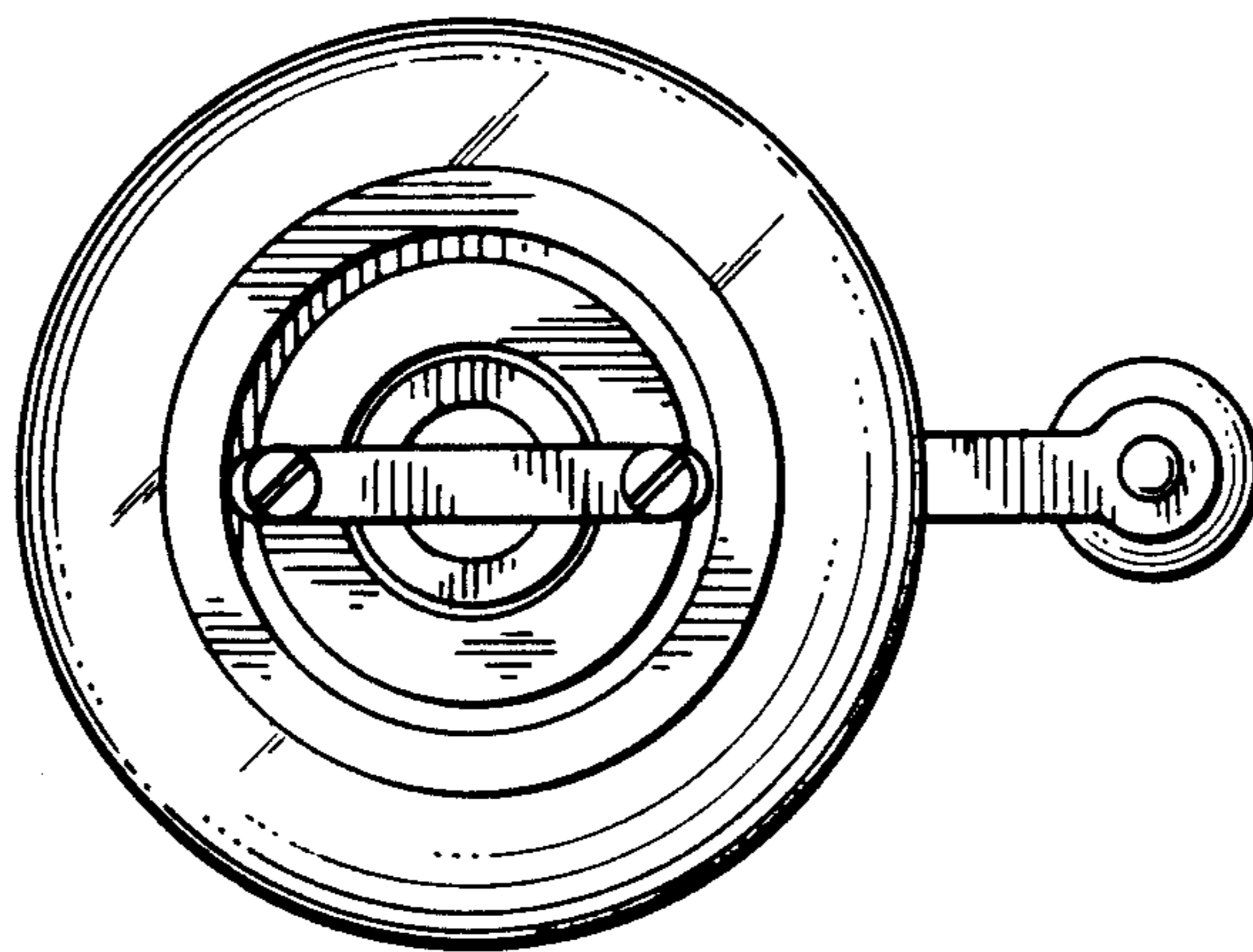


FIG. 5



UNITED STATES PATENT AND TRADEMARK OFFICE
CERTIFICATE OF CORRECTION

PATENT NO. : DES. 259,089
DATED : May 5, 1981
INVENTOR(S) : DAVID ALEXANDER COWAN

It is certified that error appears in the above-identified patent and that said Letters Patent are hereby corrected as shown below:

On the Title page:...

Below "[22] Filed: Apr. 27, 1979" insert

--[30] Foreign Application Priority Data

December 20, 1978 [UK] United Kingdom.. 987,751--

Signed and Sealed this

Third Day of November 1981

[SEAL]

Attest:

Attesting Officer

GERALD J. MOSSINGHOFF

Commissioner of Patents and Trademarks