

[54] **COMBINED HOLDER AND BEVERAGE GLASS, VASE OR SIMILAR ARTICLE**

[76] Inventor: **Eugene R. Signorile**, 2637 N. Southport, Chicago, Ill. 60614

[**] Term: **14 Years**

[21] Appl. No.: **964,481**

[22] Filed: **Nov. 29, 1978**

[51] Int. Cl. **D07-01; D11-02**

[52] U.S. Cl. **D7/15; D6/183; D7/70; D11/144; D11/146; D11/149**

[58] Field of Search **D6/137, 140, 180, 182, D6/183; D11/144, 146, 152, 153, 154, 149; D7/6-15, 70**

[56] **References Cited**

U.S. PATENT DOCUMENTS

D. 17,198	3/1887	Egbert	D11/154 X
D. 87,361	7/1932	Scott et al.	D6/183
D. 116,929	10/1939	Firth	D11/144
D. 132,359	5/1942	Fuerst et al.	D11/149
D. 132,692	6/1942	Sawyer	D11/149
D. 226,961	5/1973	King	D7/9
D. 228,330	9/1973	Bright	D7/15
D. 247,941	5/1978	Gregorius	D6/137
337,569	3/1886	Flint	D11/152 X

2,528,388 10/1950 Richards D7/70 X

FOREIGN PATENT DOCUMENTS

353142 5/1961 Switzerland 248/311.1

OTHER PUBLICATIONS

Haeger Pottery, 1946, Cat., p. 36, "444-A-Cornucopia", Vase in top left panel.

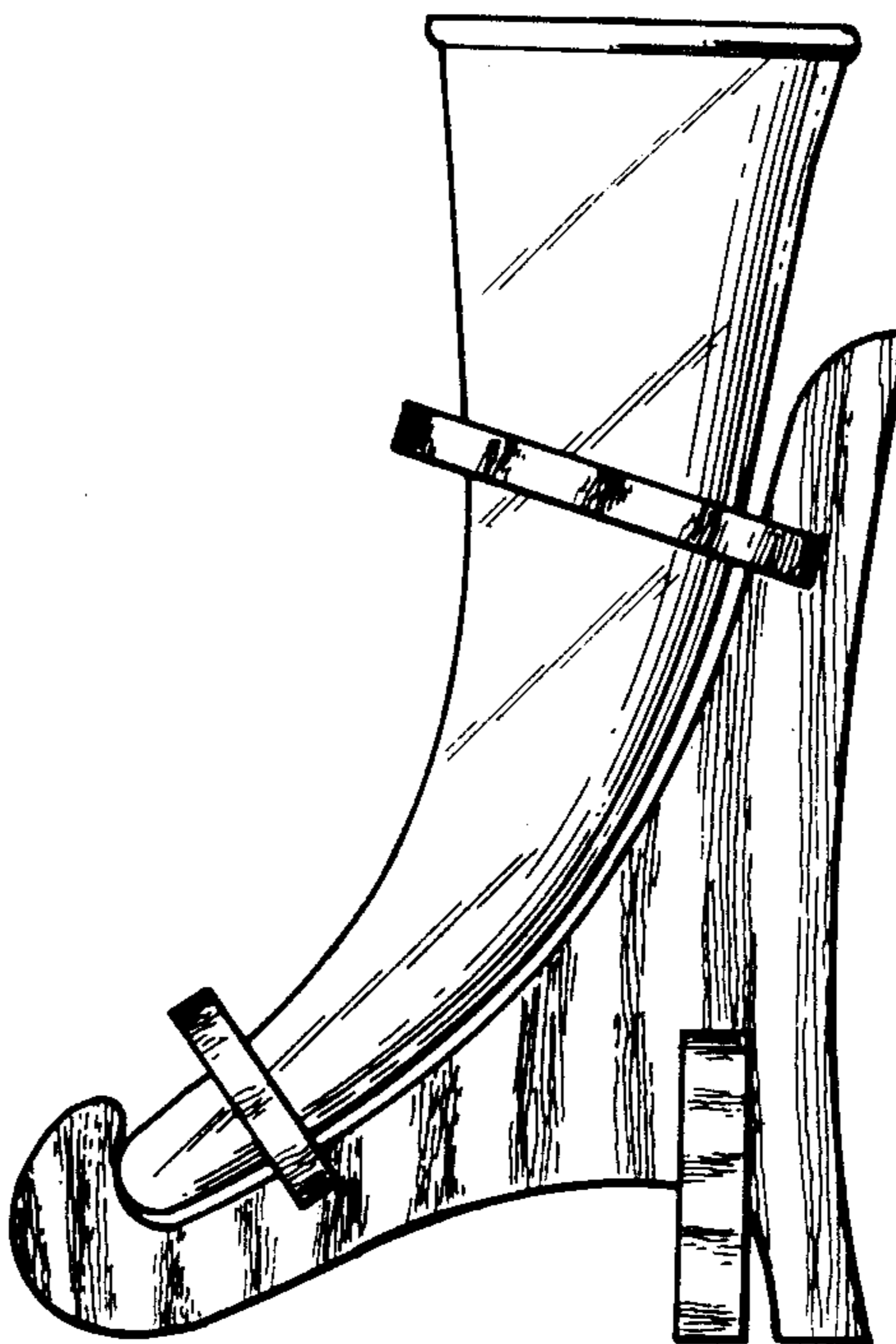
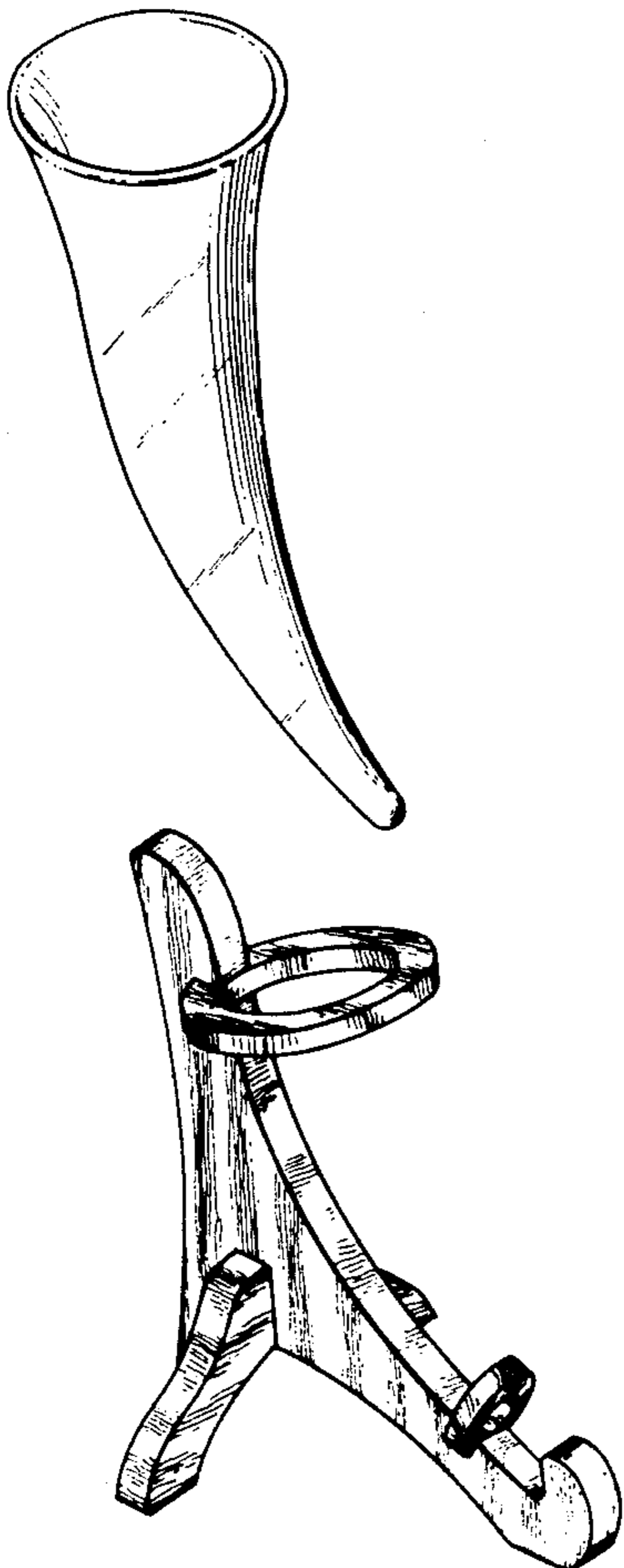
Primary Examiner—Winifred E. Herrmann
Attorney, Agent, or Firm—J. Arthur Gross

[57] **CLAIM**

The ornamental design for a combined holder and beverage glass, vase or similar article, substantially as shown.

DESCRIPTION

FIG. 1 is an exploded front and side perspective view of a combined holder and beverage glass, vase or similar article embodying my new design;
FIG. 2 is a front and left side perspective view thereof in an assembled condition;
FIG. 3 is a top plan view of FIG. 2;
FIG. 4 is a right side elevational view of FIG. 2;
FIG. 5 is a rear elevational view of FIG. 2;
FIG. 6 is a front elevational view of FIG. 2; and
FIG. 7 is a bottom plan view of FIG. 2.



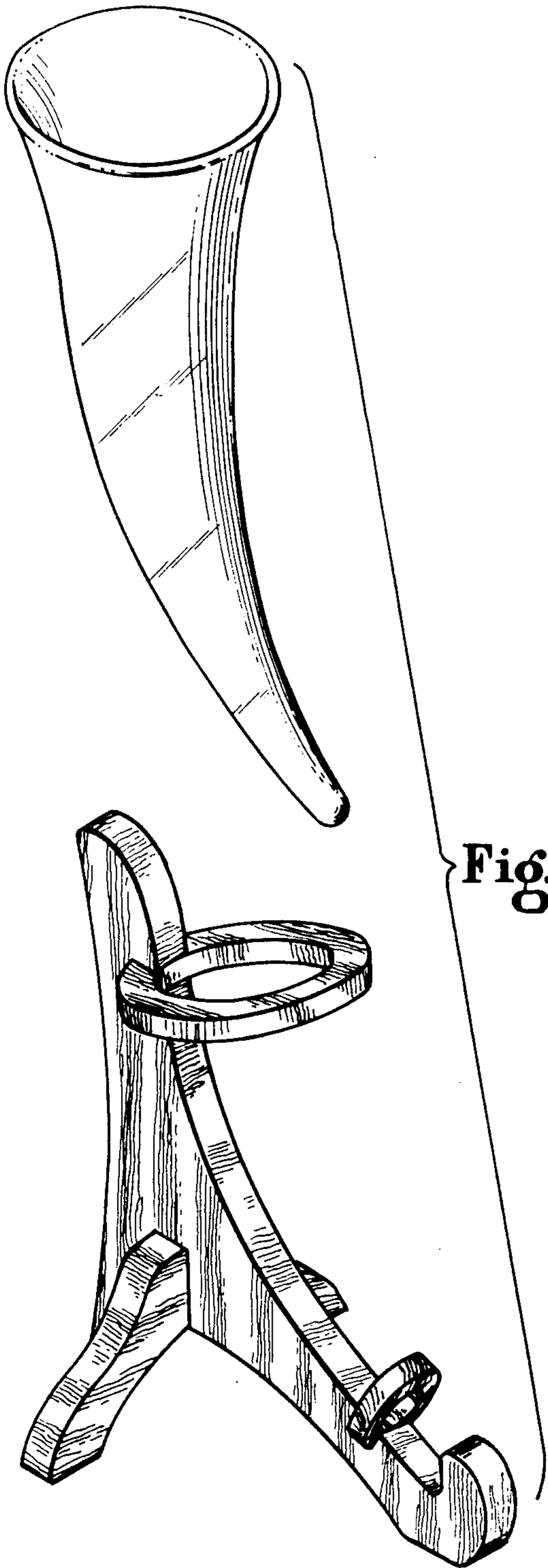


Fig. 1

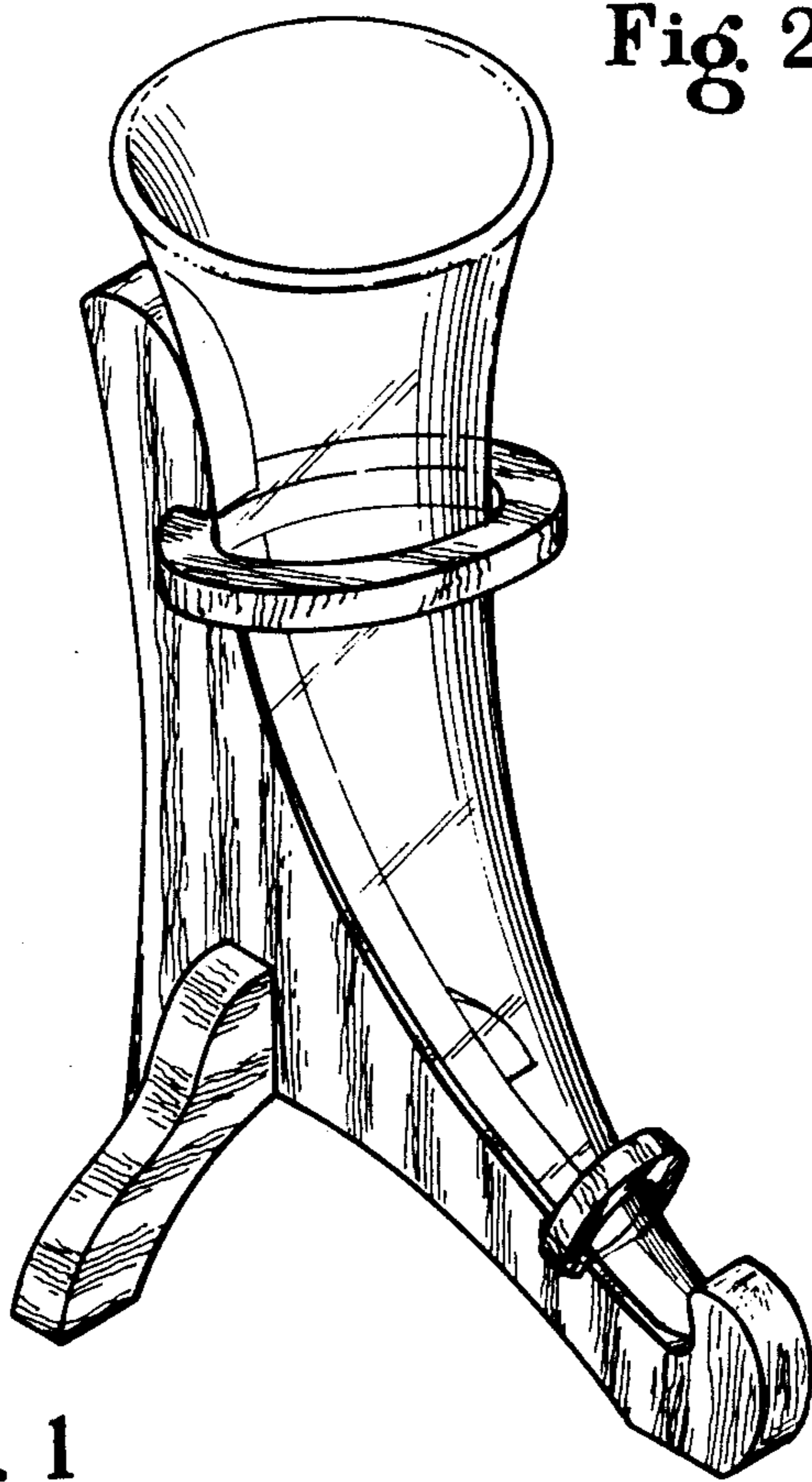


Fig. 2

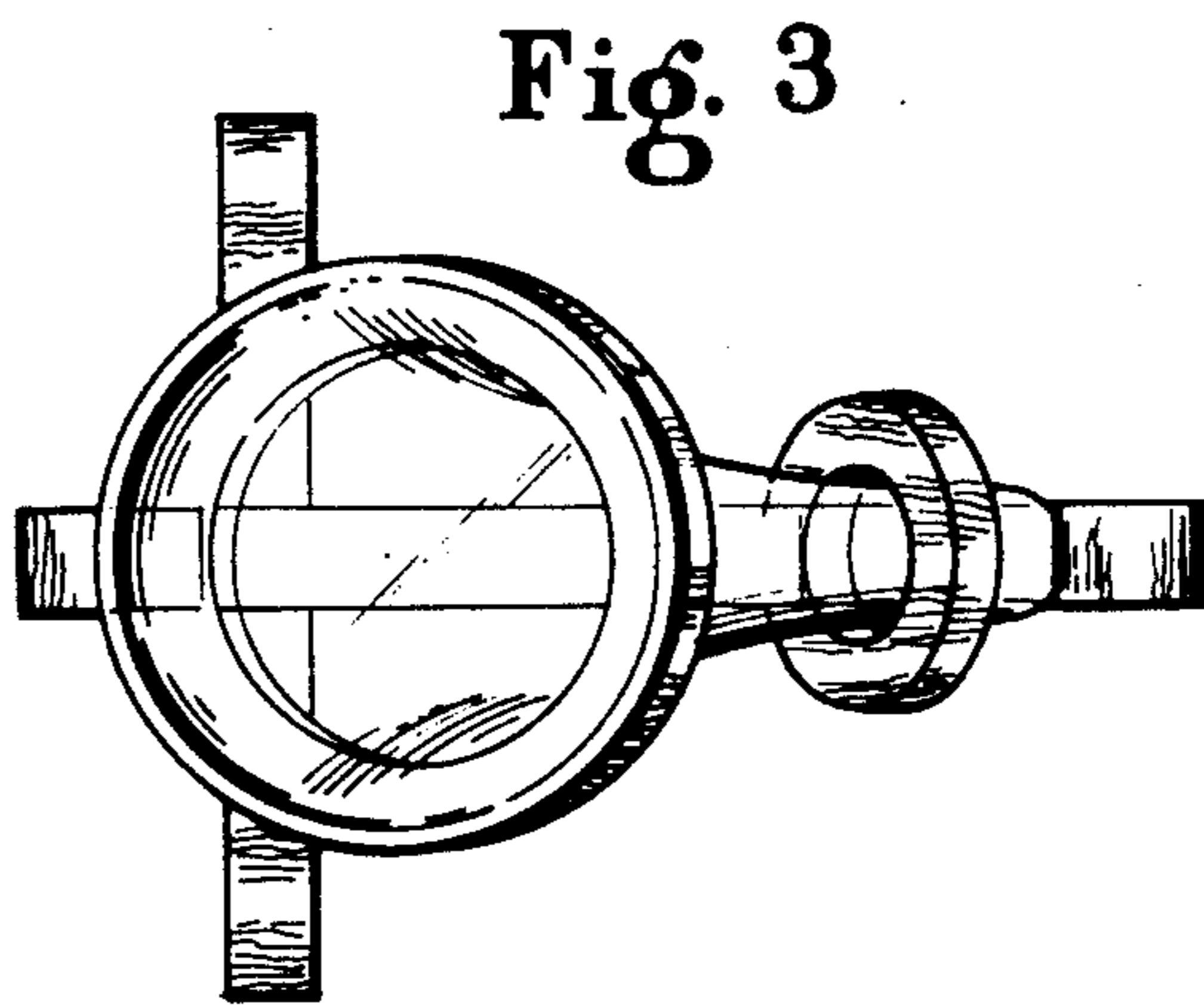


Fig. 3

Fig. 4

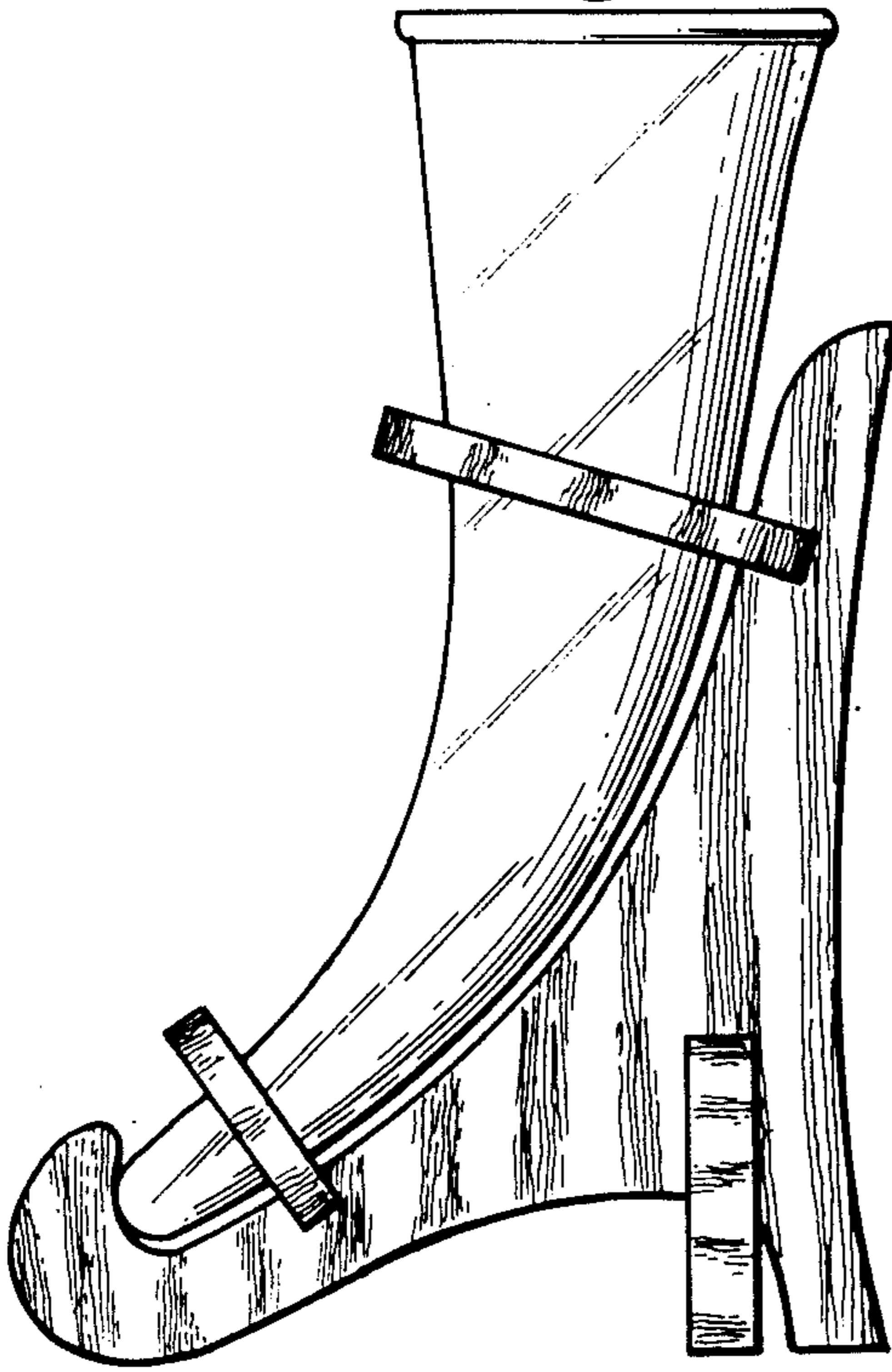


Fig. 5

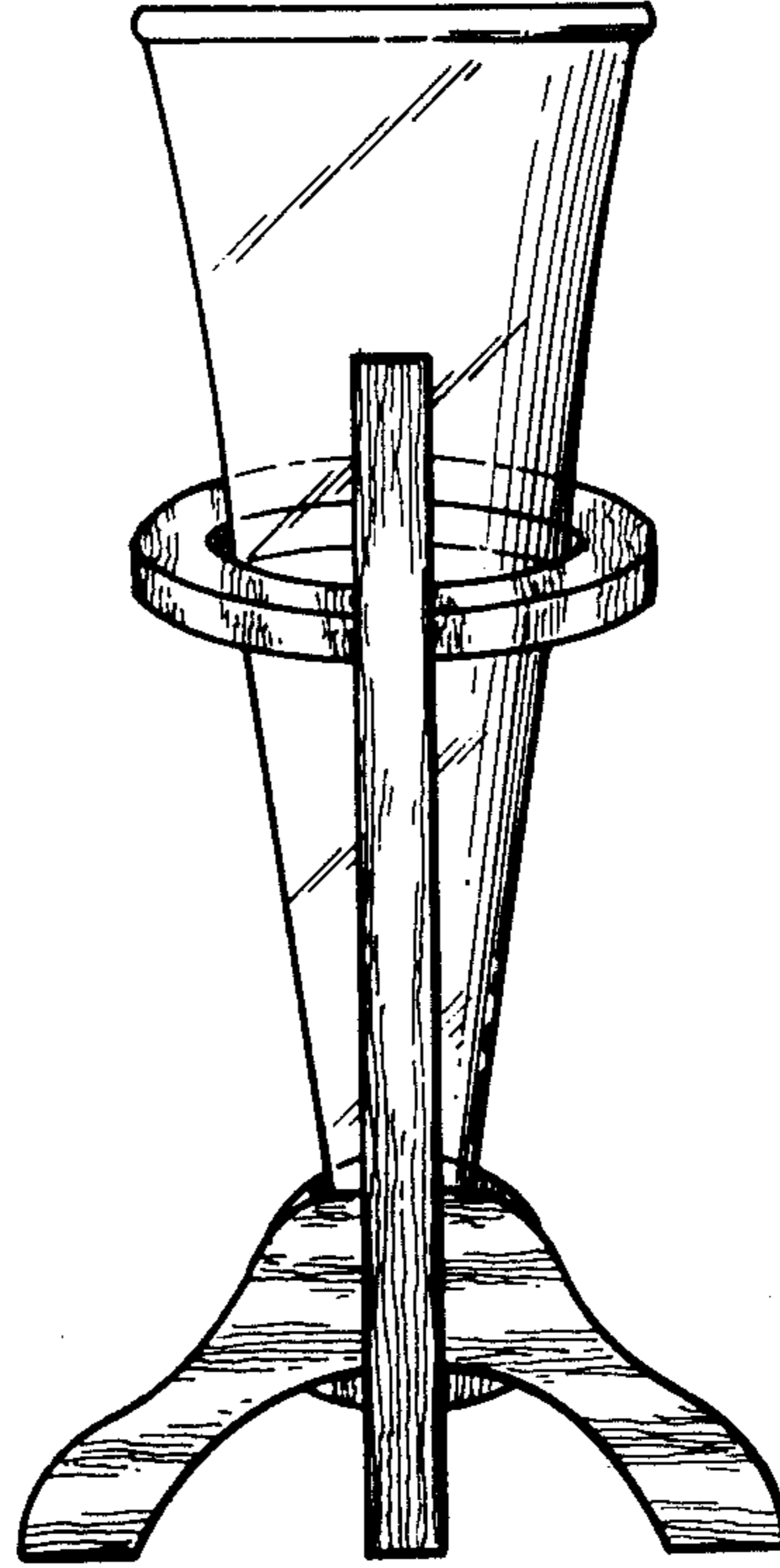


Fig. 6

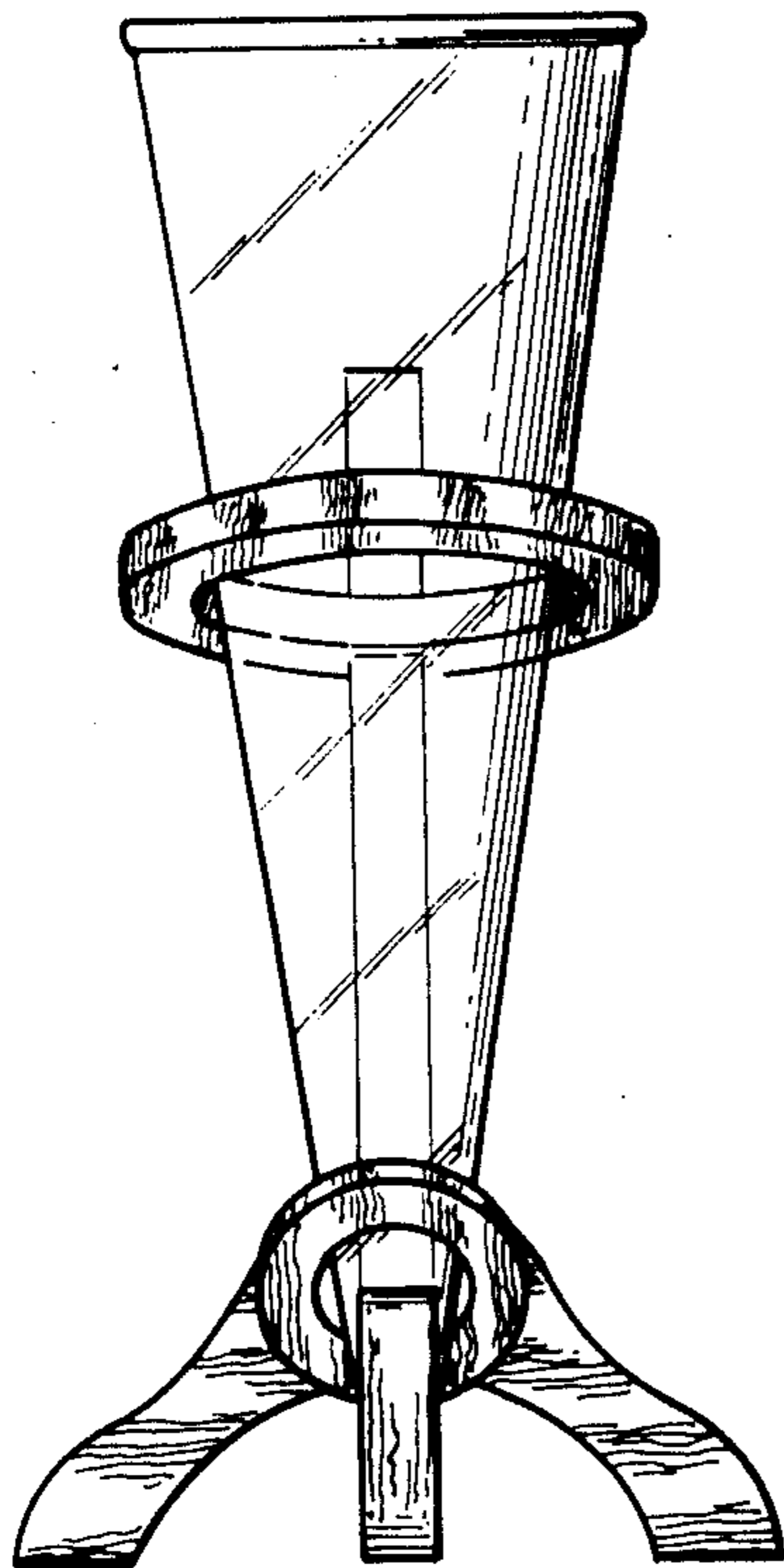


Fig. 7

