

[54] GARMENT HANGER

[75] Inventor: Mario Mainetti, Valdagno, Italy

[73] Assignee: Mainetti S.p.A., Castelgomberto, Italy

[\*\*] Term: 14 Years

[21] Appl. No.: 943,542

[22] Filed: Sep. 18, 1978

Related U.S. Application Data

[63] Continuation-in-part of Ser. No. 807,532, Jun. 17, 1977, abandoned.

[30] Foreign Application Priority Data

Dec. 23, 1976 [IT] Italy ..... 61962/76[U]

[51] Int. Cl. .... D6-08

[52] U.S. Cl. .... D6/254

[58] Field of Search ..... D6/113, 247, 249, 251-257, D6/250; 223/85, 87, 88, 89, 91-93, 95, 96; 211/113, 119

[56] References Cited

U.S. PATENT DOCUMENTS

D. 140,337	2/1945	Hill .....	D6/254
D. 195,445	6/1963	Warmath .....	D6/254
2,828,056	3/1958	Bennett .....	D6/254
2,849,169	8/1958	Voltura .....	223/92
3,401,855	9/1968	Balzer et al. ....	D6/250

Primary Examiner—B. J. Bullock  
Attorney, Agent, or Firm—D. Paul Weaver

[57] CLAIM

The ornamental design for a garment hanger, substantially as shown and described.

DESCRIPTION

FIG. 1 is a front elevational view of a garment hanger showing my new design;  
FIG. 2 is a rear elevational view thereof;  
FIG. 3 is a bottom view of the hanger;  
FIG. 4 is a top view of the hanger;  
FIG. 5 is an end elevational view taken from the right of FIG. 1; and  
FIG. 6 is an end elevational view taken from the left of FIG. 1.

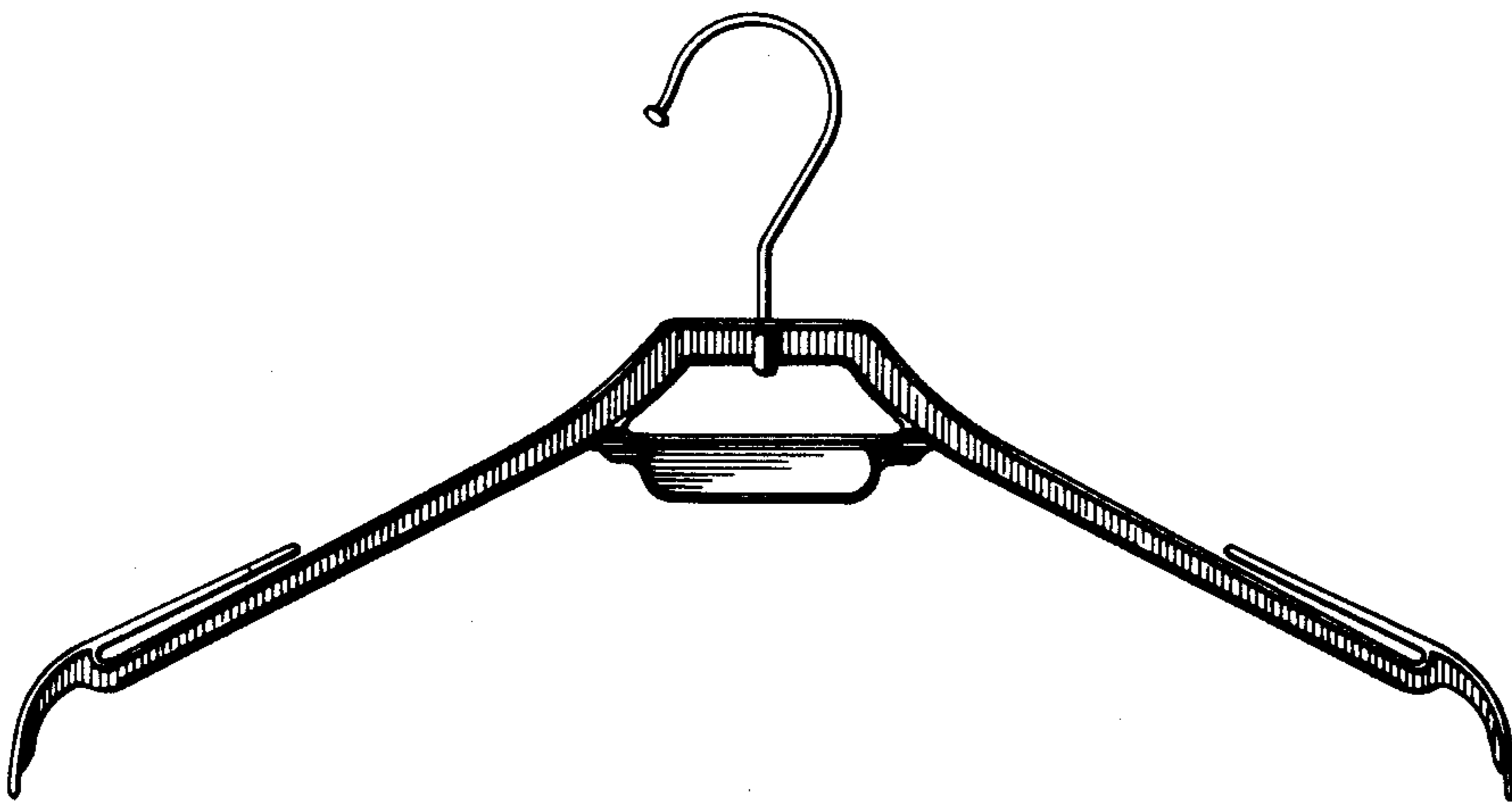


FIG. 1

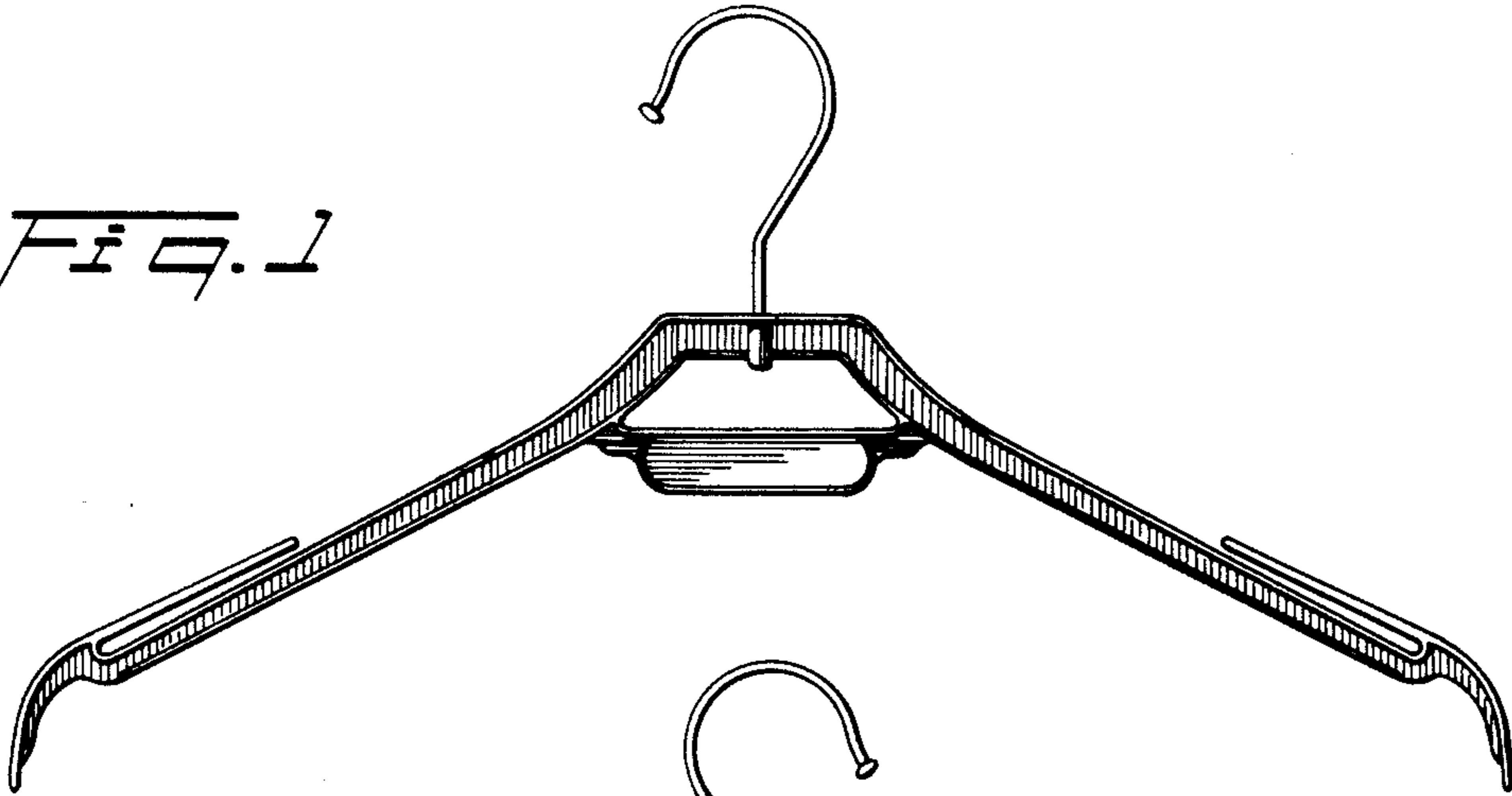


FIG. 2

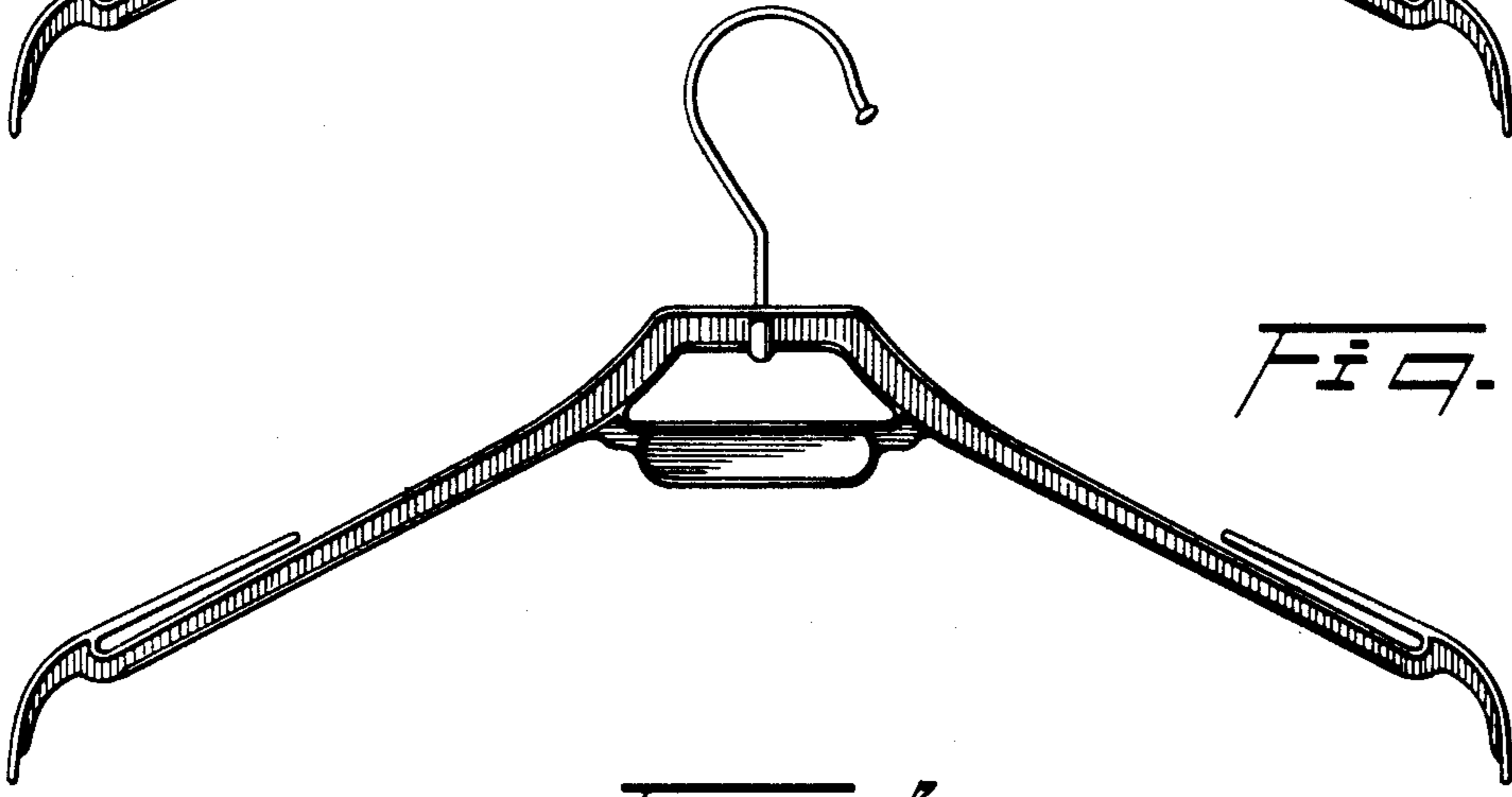


FIG. 3

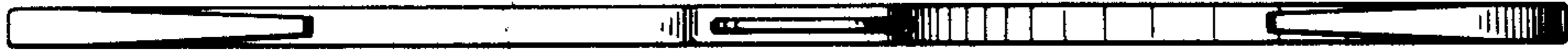
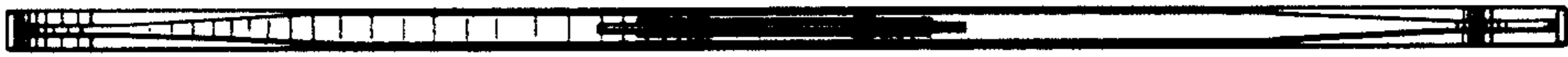


FIG. 4

FIG. 5



FIG. 6

