

[54] BATTERY-OPERATED BRUSH AND SCRUBBER

3,443,272 5/1969 Trelo et al. 15/29
4,158,246 6/1979 Meadows et al. 15/28

[76] Inventor: John S. Doyel, 404 W. 20th St., New York, N.Y. 10011

FOREIGN PATENT DOCUMENTS

2636811 2/1978 Fed. Rep. of Germany 15/29

[**] Term: 14 Years

Primary Examiner—Catherine E. Kemper
Attorney, Agent, or Firm—Cooper, Dunham, Clark, Griffin & Moran

[21] Appl. No.: 949,531

[22] Filed: Oct. 10, 1978

[57] CLAIM

[51] Int. Cl. D4—01; D7—05

The ornamental design for a battery-operated brush and scrubber, as shown and described.

[52] U.S. Cl. D4/14; D7/164

[58] Field of Search D4/1, 8, 14, 10-12; D7/164; 15/28, 29

DESCRIPTION

[56] References Cited

FIG. 1 is a side elevational view of a battery operated brush and scrubber showing my new design.

U.S. PATENT DOCUMENTS

FIG. 2 is a top plan view thereof.

FIG. 3 is a bottom plan view thereof.

FIG. 4 is an elevational view thereof showing the side opposite that shown in FIG. 1.

FIG. 5 is a front elevational view thereof.

FIG. 6 is a back elevational view thereof.

D. 219,790	1/1971	Rhodes	D7/164
D. 245,948	10/1977	Wolff	D4/14
3,396,417	8/1968	Starr	15/29
3,404,420	10/1968	Lachat et al.	15/29
3,417,417	12/1968	Rhodes	15/28 X

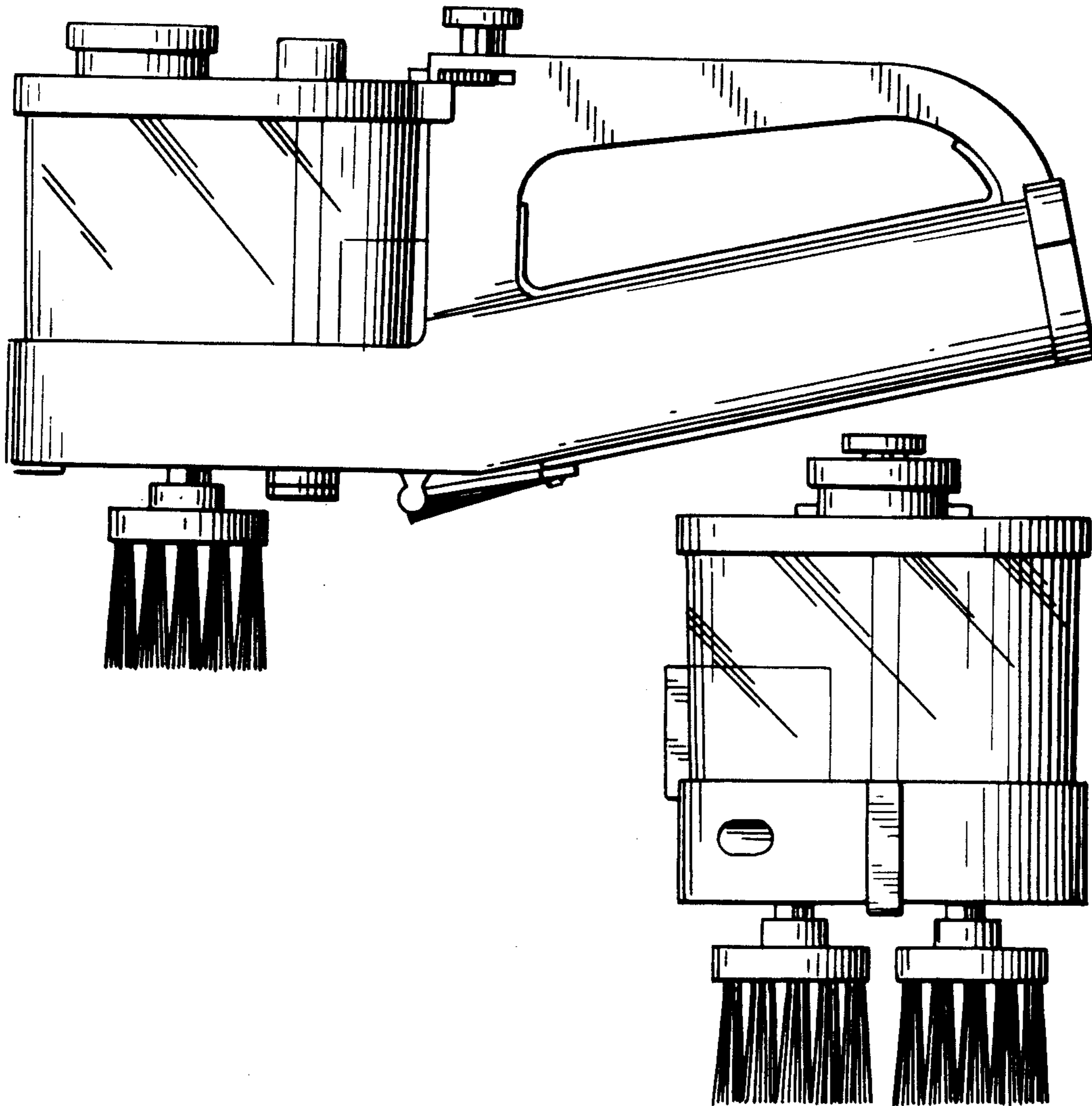


Fig. 1.

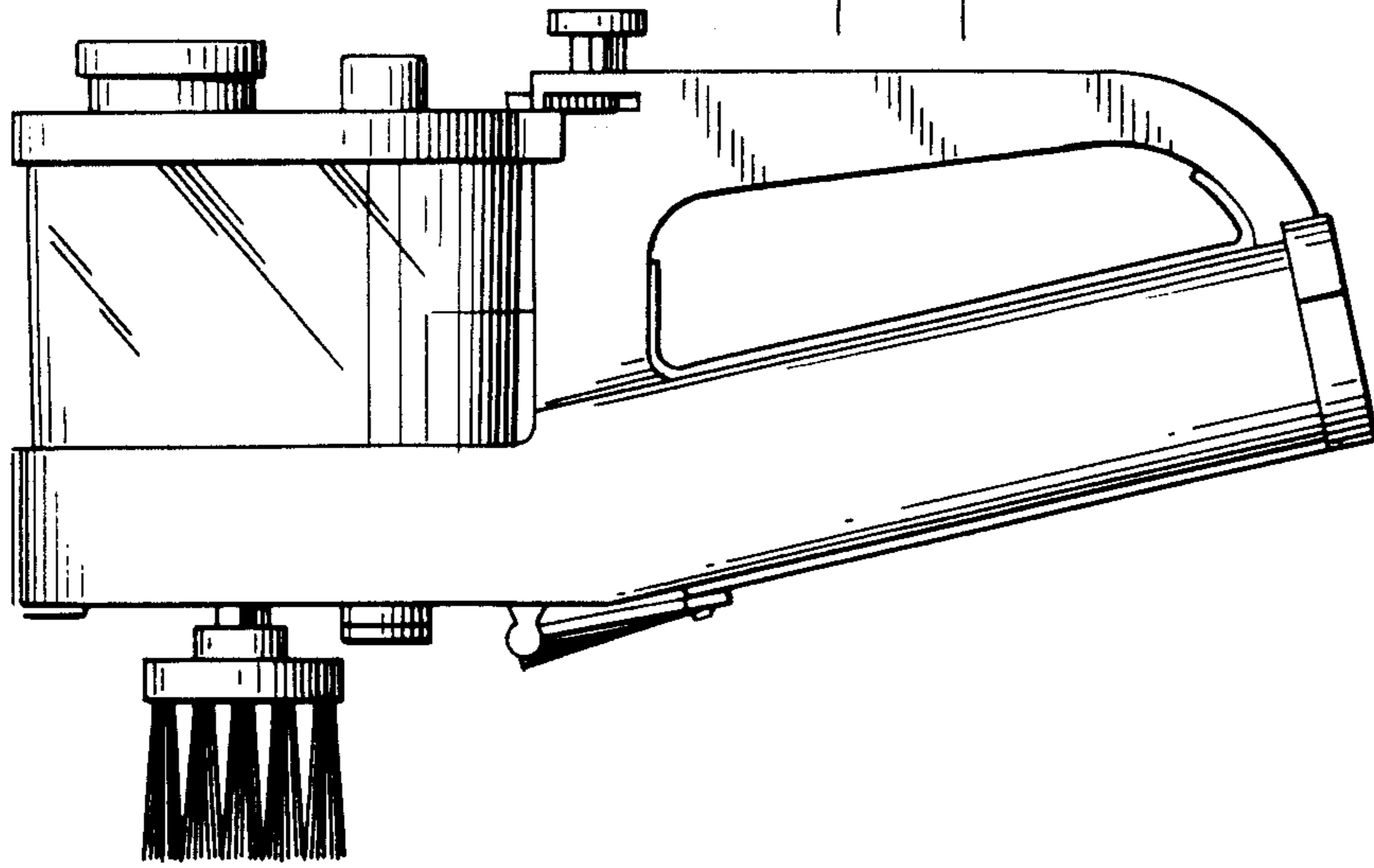


Fig. 2.

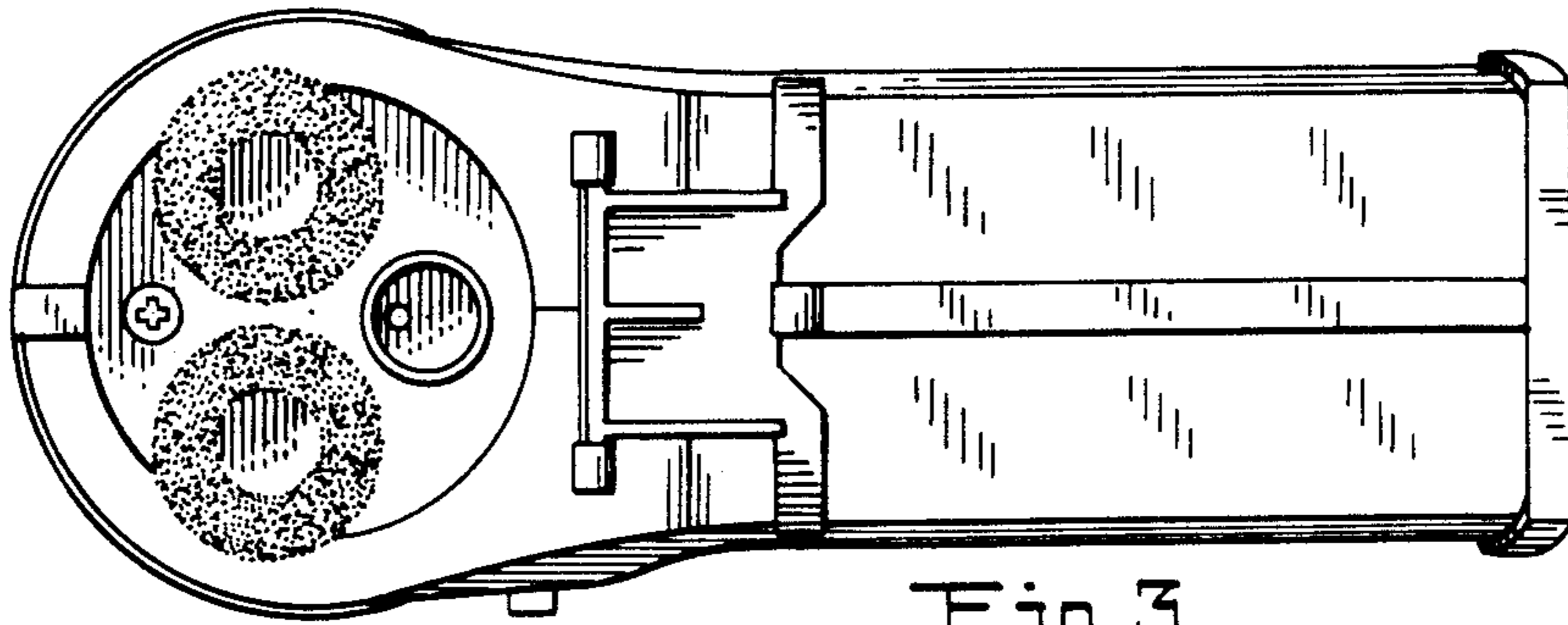
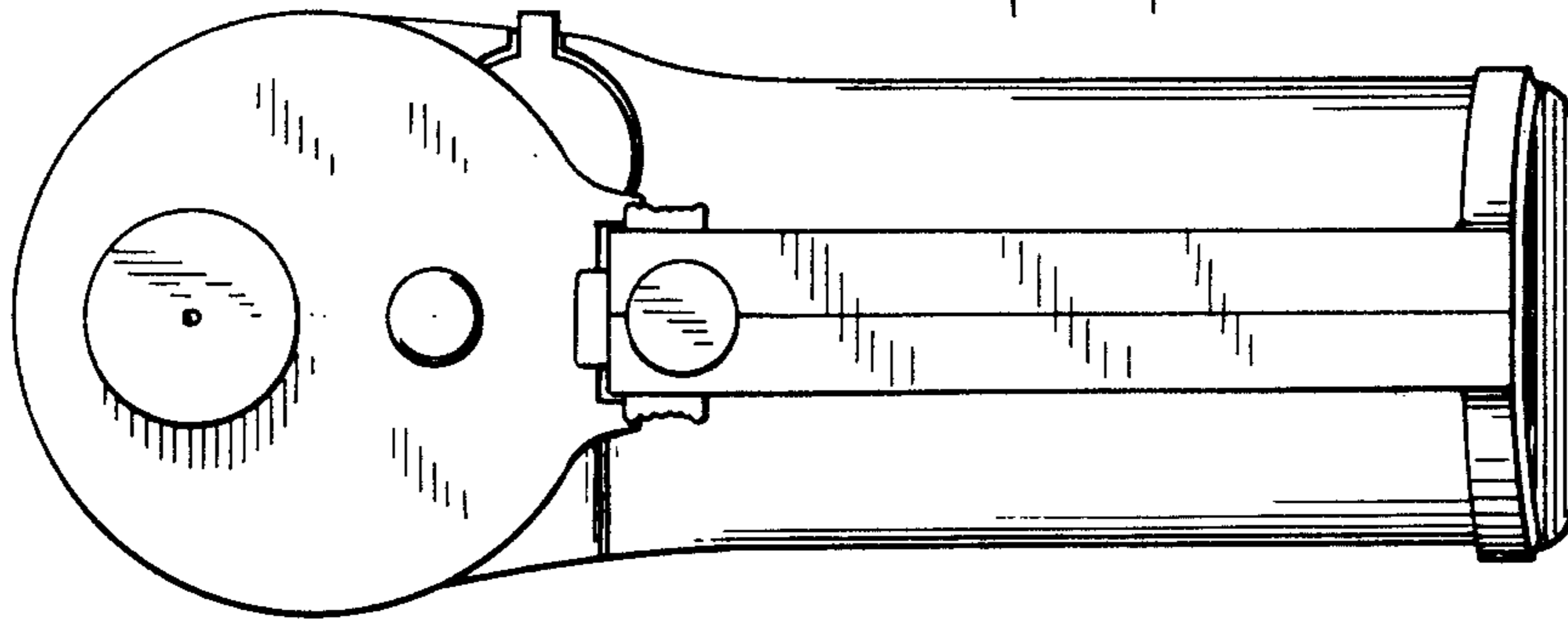


Fig. 3.

Fig. 4.

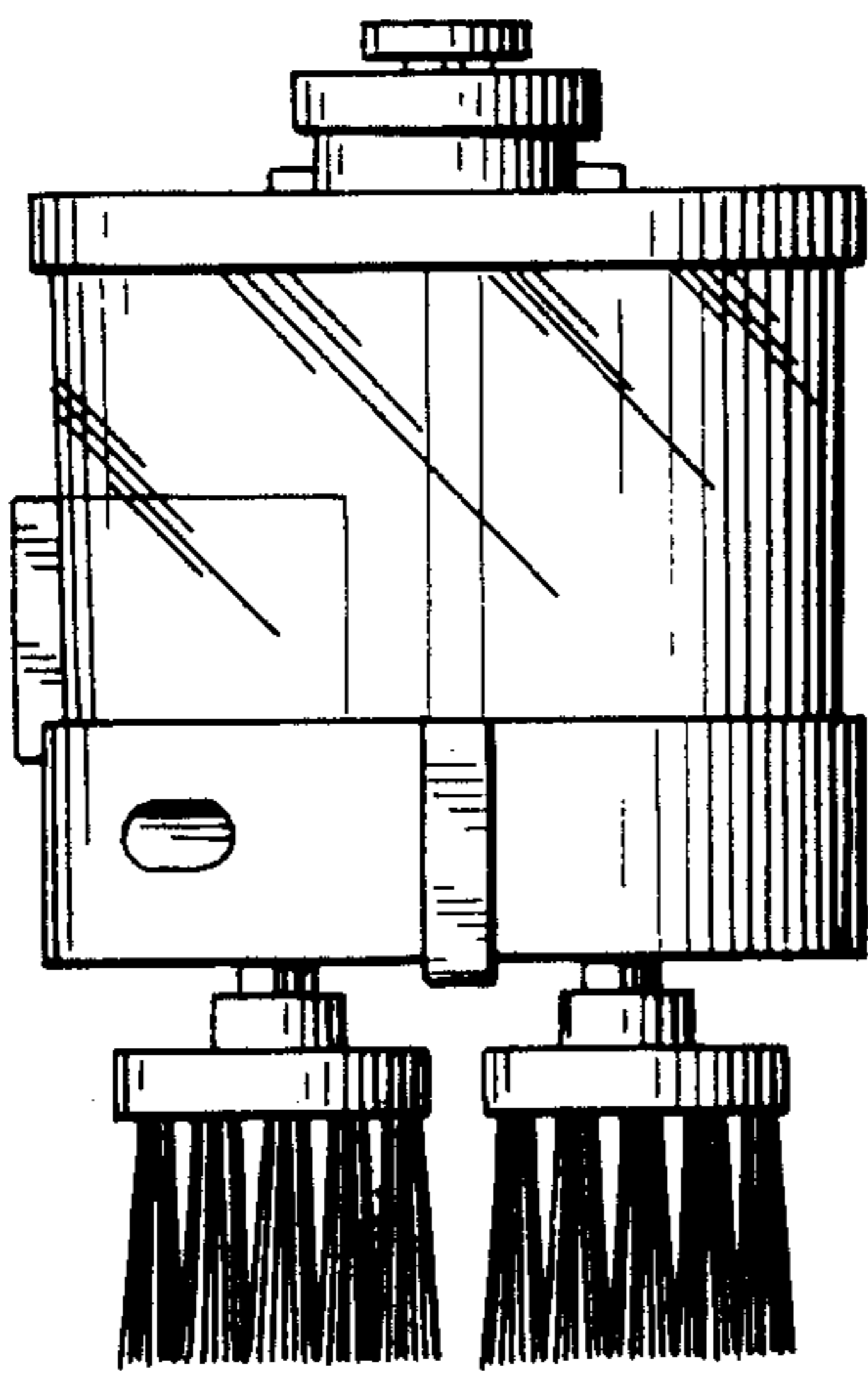
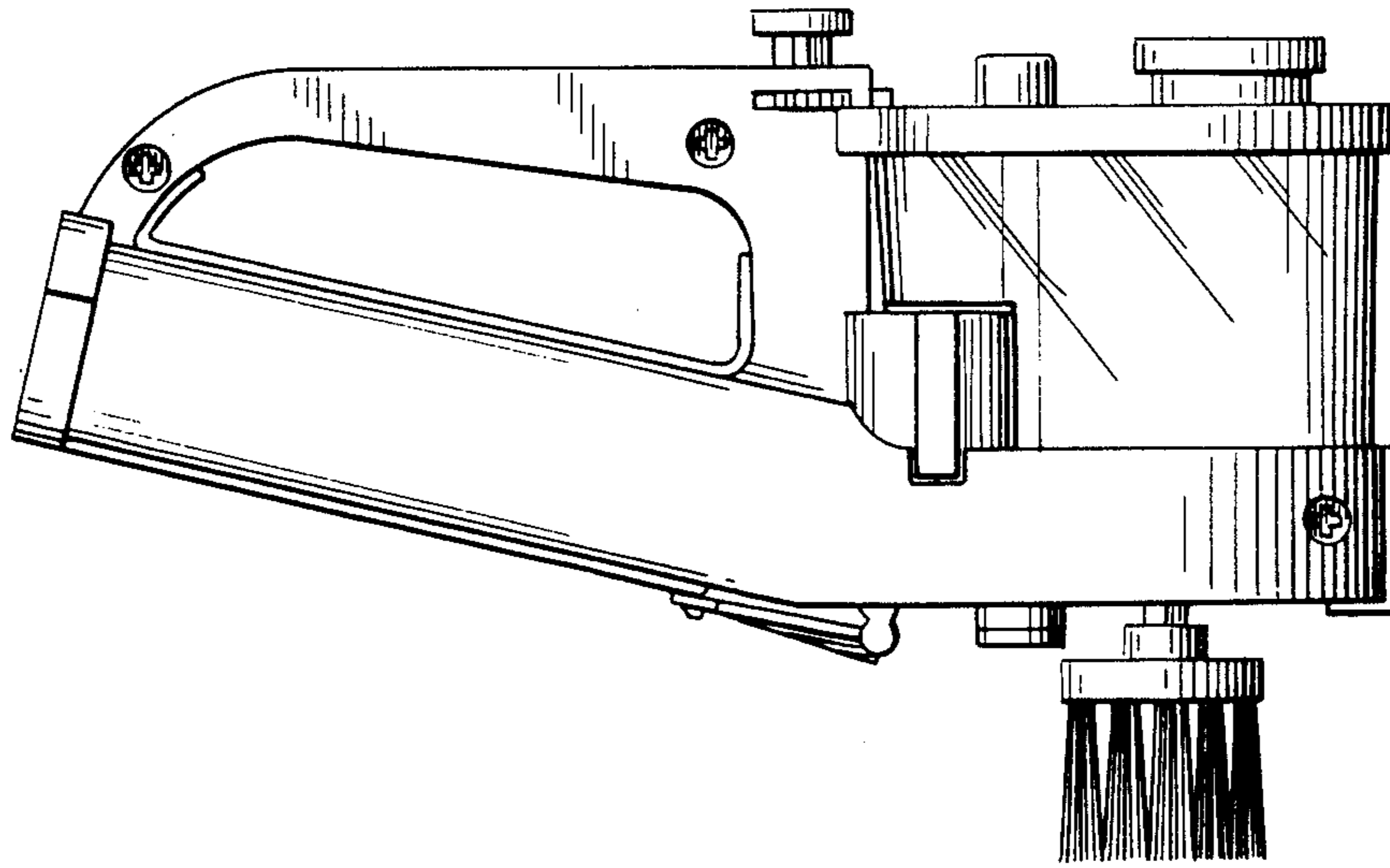


Fig. 5.

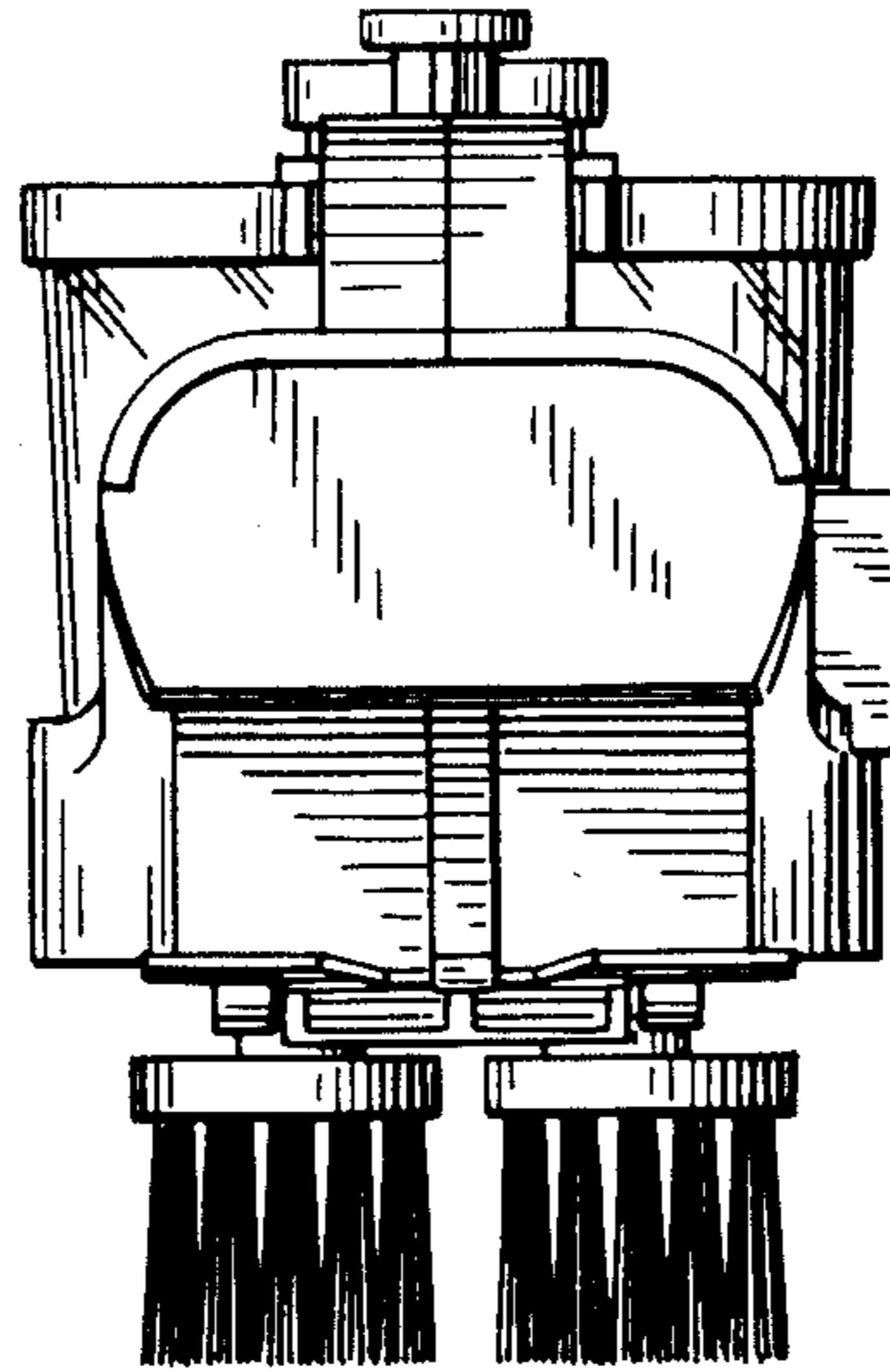


Fig. 6.