

[54] MAKE-UP MIRROR

[75] Inventor: Horst J. Kretschmer, New York, N.Y.

[73] Assignee: Clairol Incorporated, New York, N.Y.

[\*\*] Term: 14 Years

[21] Appl. No.: 923,849

[22] Filed: Jul. 12, 1978

[51] Int. Cl. .... D28-03

[52] U.S. Cl. .... D28/67; D28/66; D6/238

[58] Field of Search ..... 28/67, 65; 362/135, 362/140, 141, 142, 144; D28/67, 65, 66, 68; D6/238

[56] References Cited

U.S. PATENT DOCUMENTS

D. 235,689 7/1975 Bentz et al. .... D86/10

OTHER PUBLICATIONS

Merchandising Week, Jan. 13, 1975, pp. 14 & 15, Clairol advertisement showing "True-to-Light" mirrors.

Primary Examiner—Donald B. Moyer  
Attorney, Agent, or Firm—Gerald S. Rosen; George A. Mentis

[57] CLAIM

The ornamental design for a make-up mirror, as shown and described.

DESCRIPTION

FIG. 1 is a front perspective view of a make-up mirror showing my new design;  
FIG. 2 is a rear perspective view;  
FIG. 3 is a top plan view;  
FIG. 4 is a front elevational view;  
FIG. 5 is a side elevational view, the opposite side being the mirror image thereof;  
FIG. 6 is a rear elevational view; and  
FIG. 7 is a bottom plan view thereof.

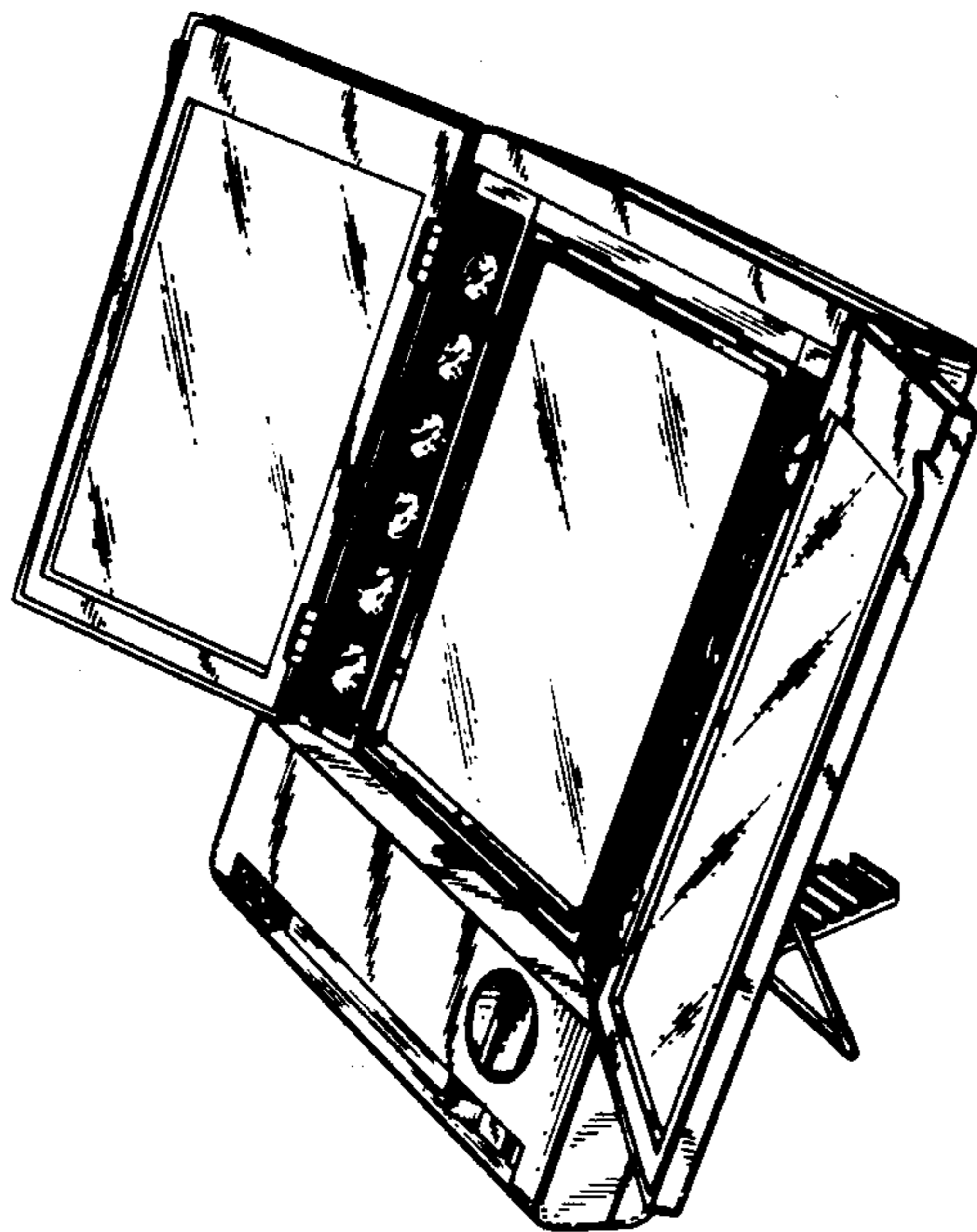
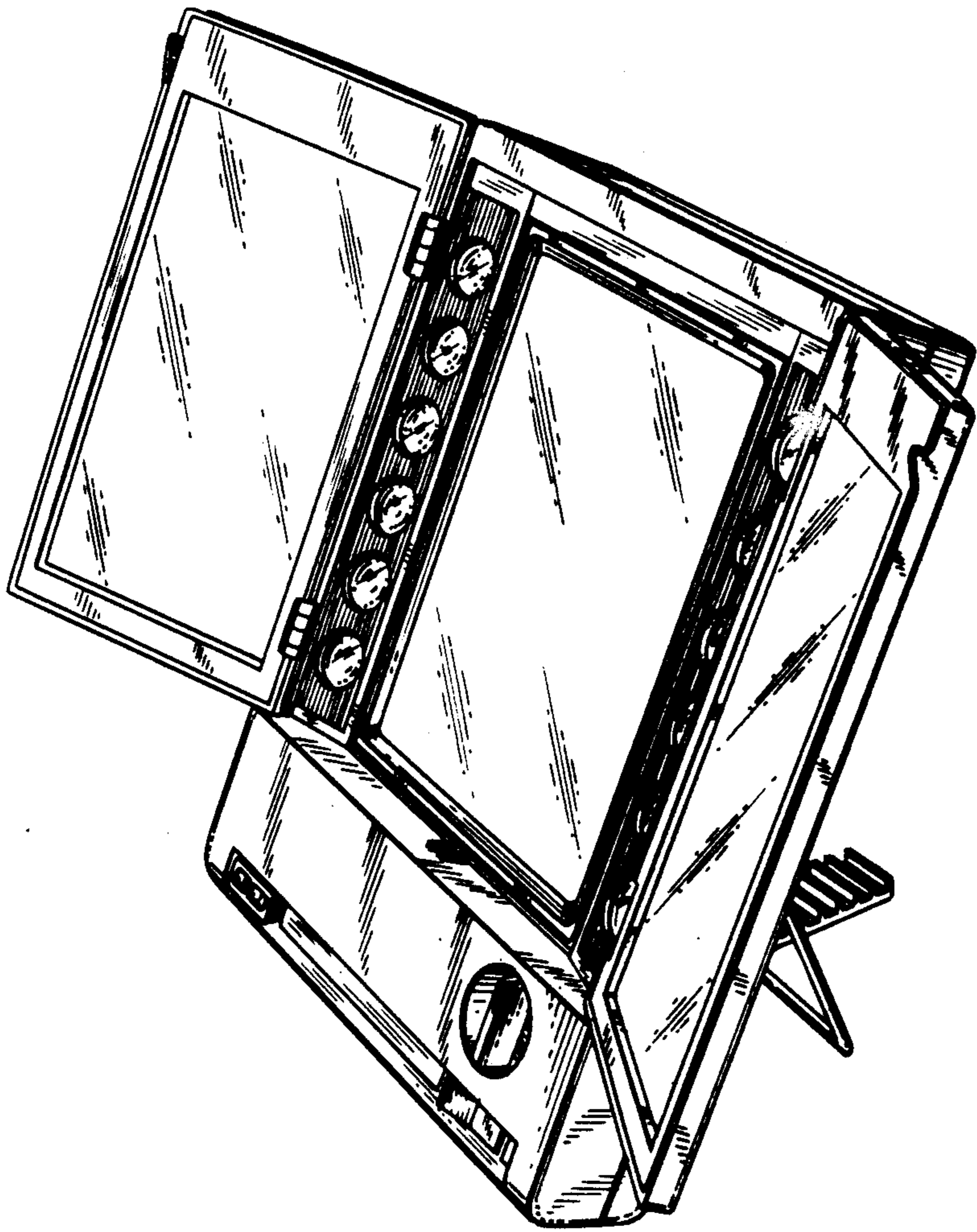


FIG. 1



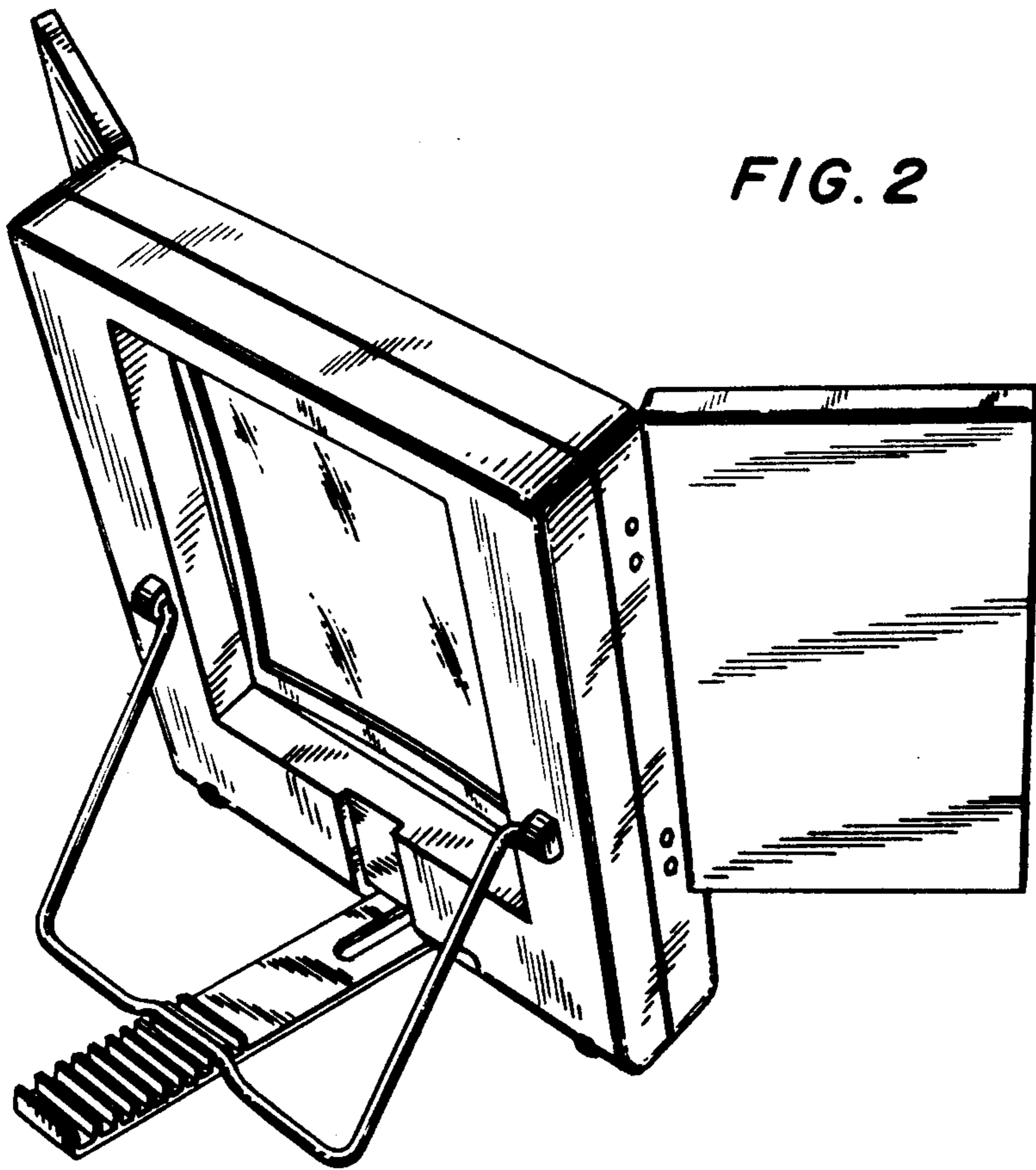
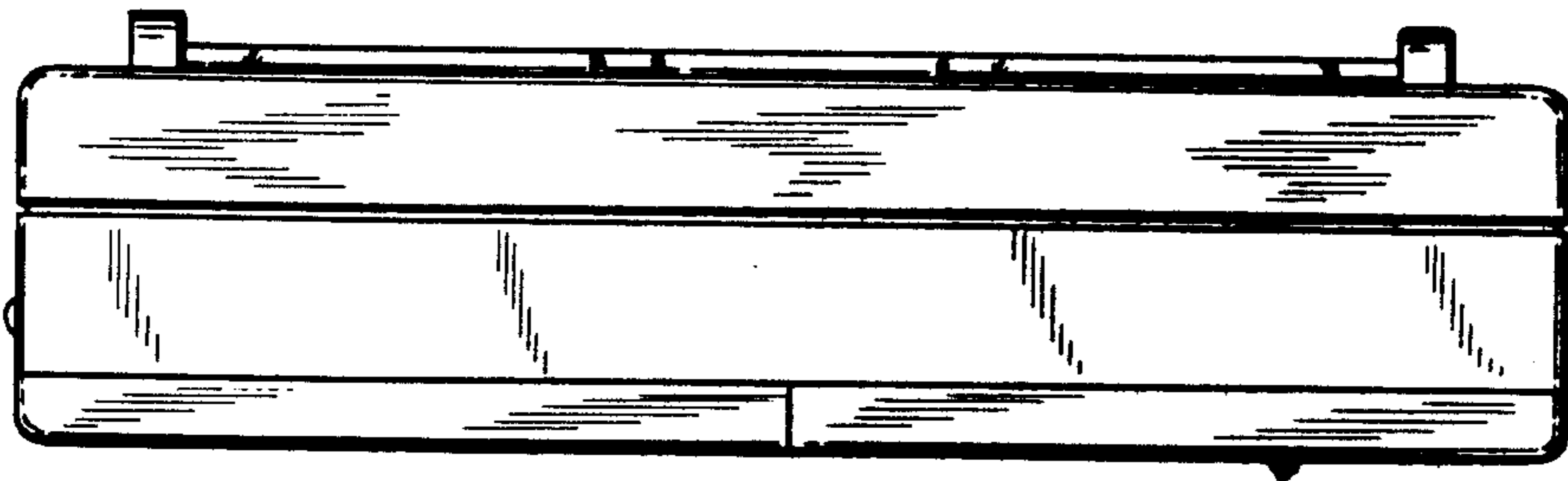


FIG. 3



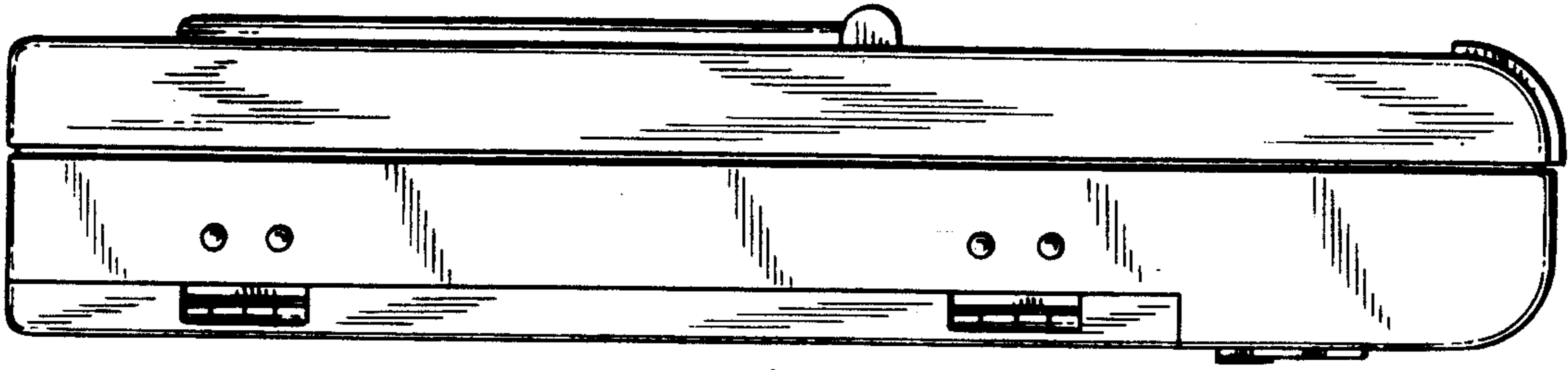


FIG. 5

FIG. 4

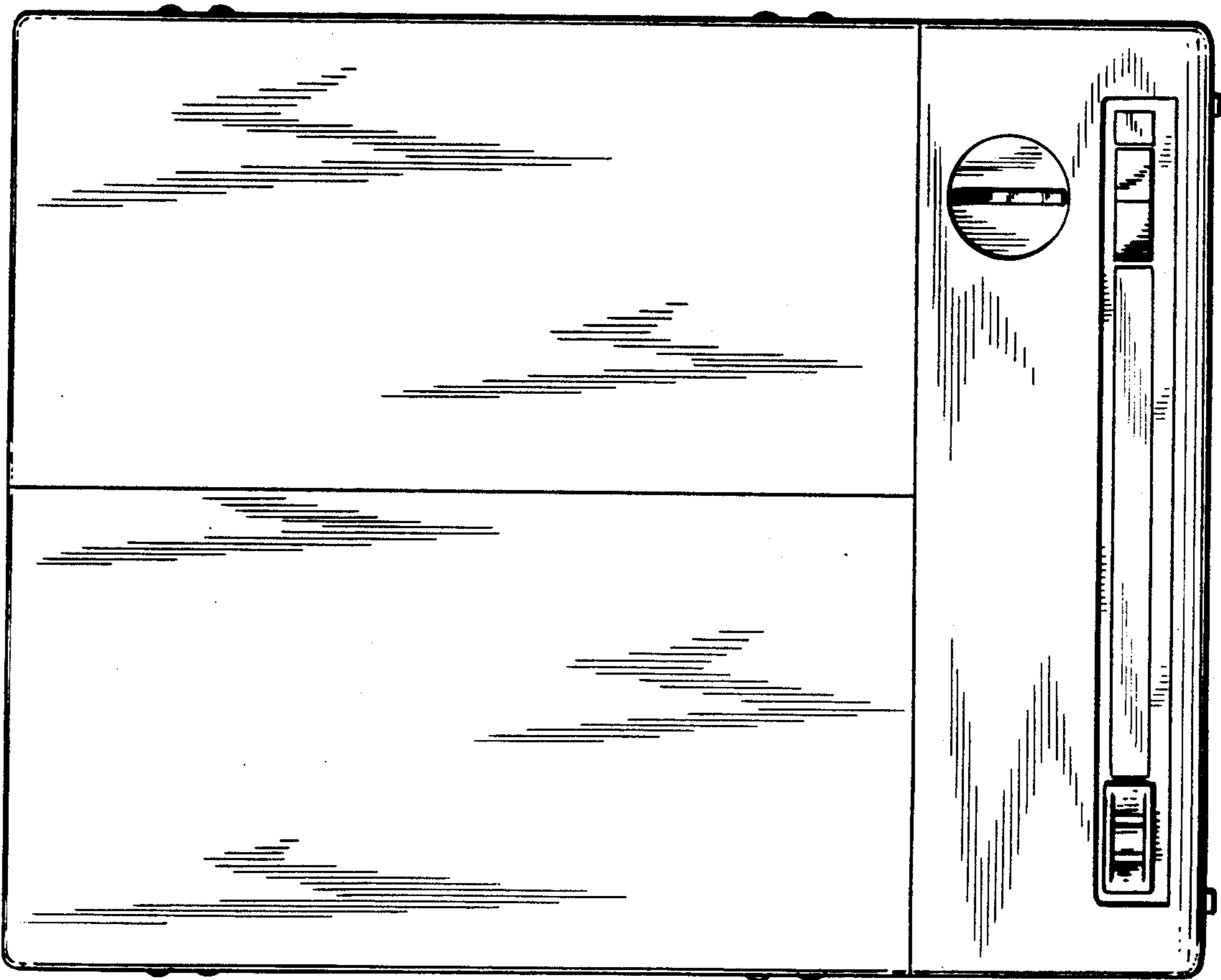




FIG. 6

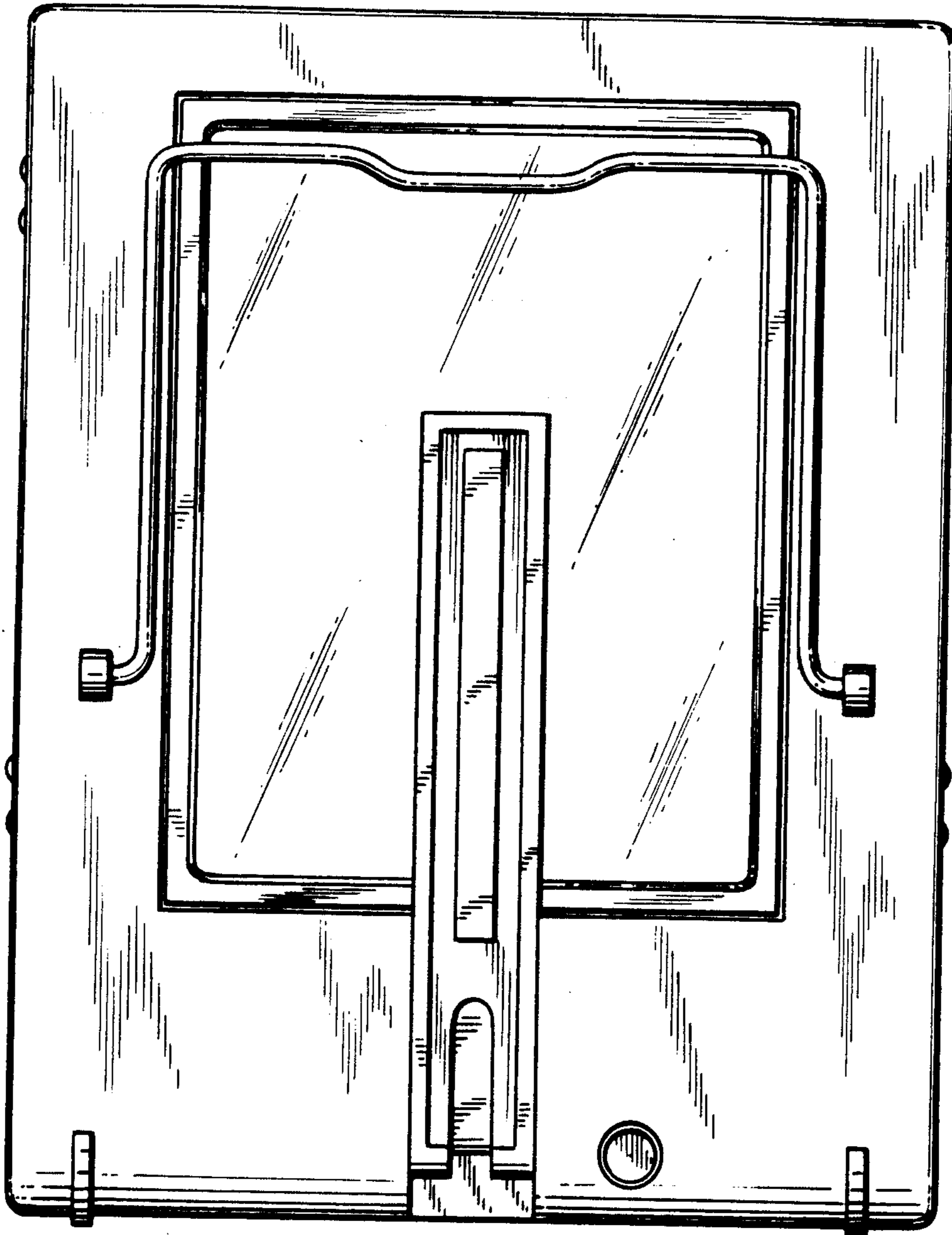


FIG. 7

