

[54] TRAY FOR MANICURE AND PEDICURE IMPLEMENT KIT

[75] Inventor: John Wistrand, New Canaan, Conn.

[73] Assignee: Clairol Incorporated, New York, N.Y.

[\*\*] Term: 14 Years

[21] Appl. No.: 47,655

[22] Filed: Jun. 11, 1979

[51] Int. Cl. .... D28-03

[52] U.S. Cl. .... D28/61

[58] Field of Search ..... D28/4, 9, 61, 73, 76, D28/77, 85, 86, 99; D24/31, 32; D9/184, 185, 187-189; D7/37, 38; 132/1 R, 79 R; 206/557, 558, 562-564

[56] References Cited

U.S. PATENT DOCUMENTS

- D. 75,445 6/1928 Orme ..... D28/73
- D. 197,991 4/1964 Caprioli ..... D9/187
- D. 199,830 12/1964 Hill ..... D24/31

D. 202,599 10/1965 Goyke ..... D24/31

Primary Examiner—Louis S. Zarfes

Attorney, Agent, or Firm—Gerald S. Rosen; George A. Mentis

[57] CLAIM

The ornamental design for a tray for manicure and pedicure implement kit, as shown and described.

DESCRIPTION

FIG. 1 is a top plan view of a tray for manicure and pedicure implement kit showing my new design;

FIG. 2 is a front elevational view thereof;

FIG. 3 is a side elevational view thereof;

FIG. 4 is a rear elevational view thereof;

FIG. 5 is a bottom plan view thereof;

FIG. 6 is a transverse section thereof taken along lines 6-6 in FIG. 1;

FIG. 7 is a front section thereof taken along lines 7-7 in FIG. 1;

FIG. 8 is a left side section thereof taken along lines 8-8 in FIG. 1; and

FIG. 9 is a right side section thereof taken along lines 9-9 in FIG. 1.

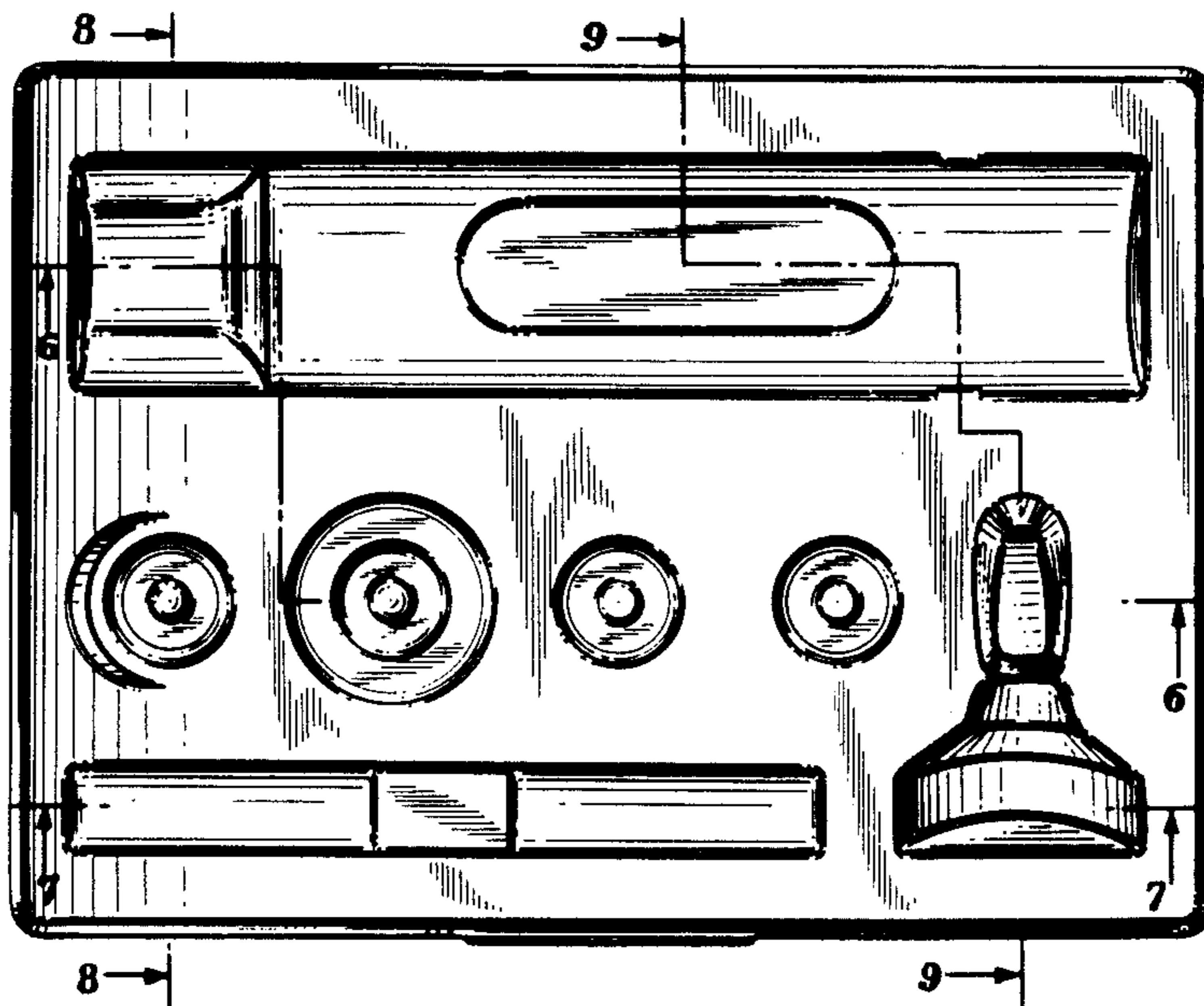


FIG. 1

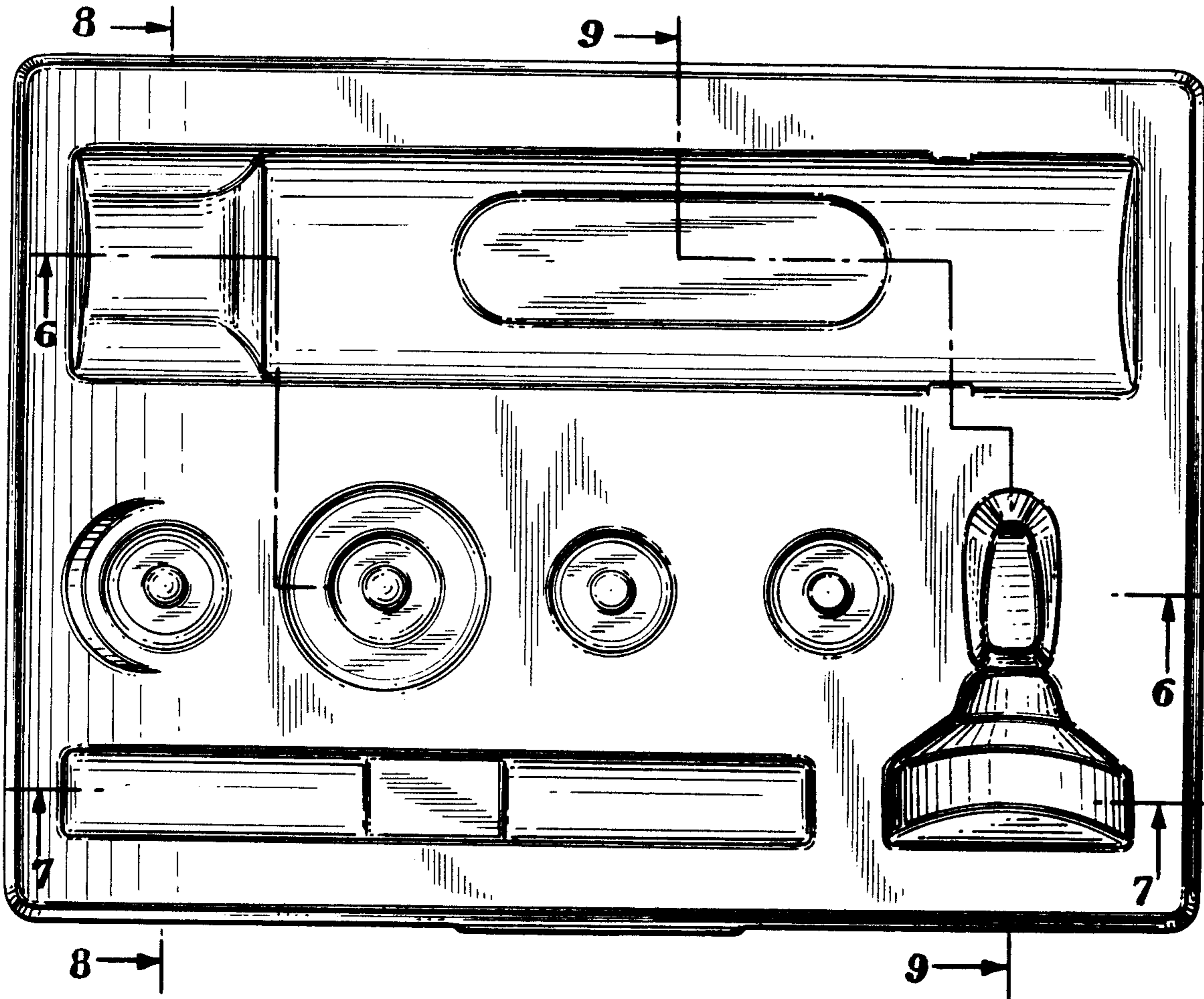


FIG. 2

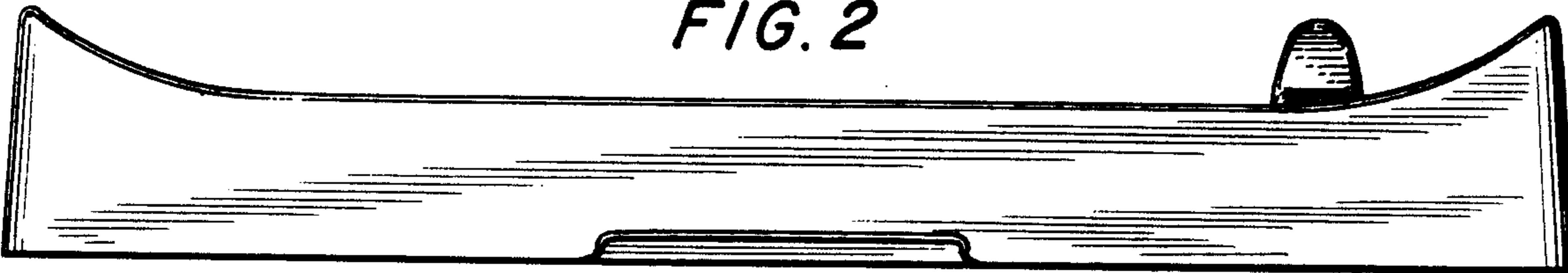
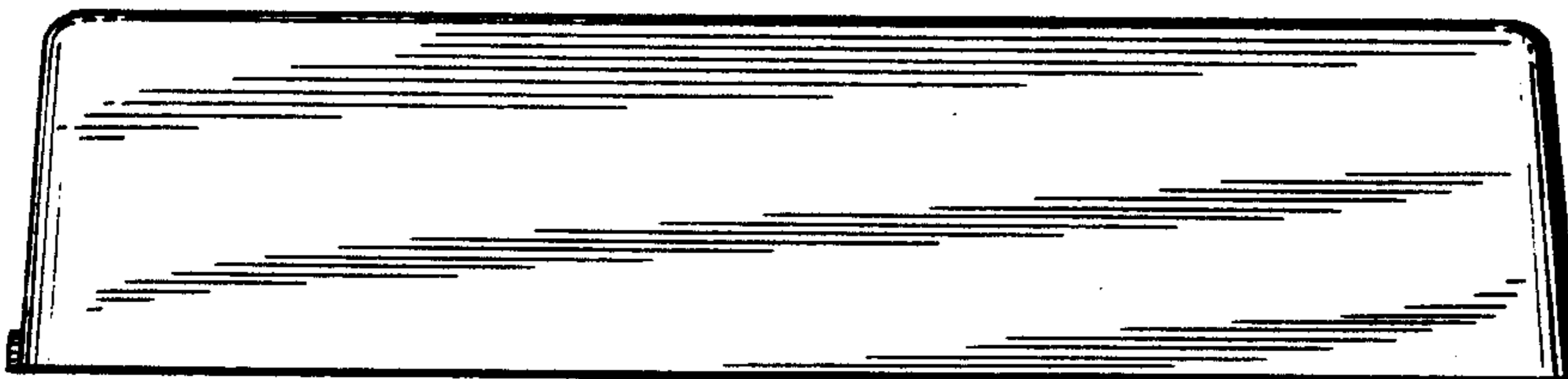
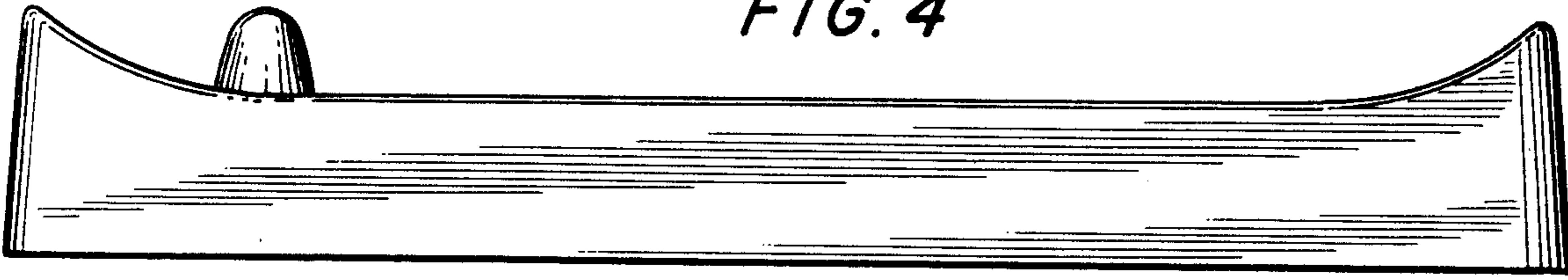


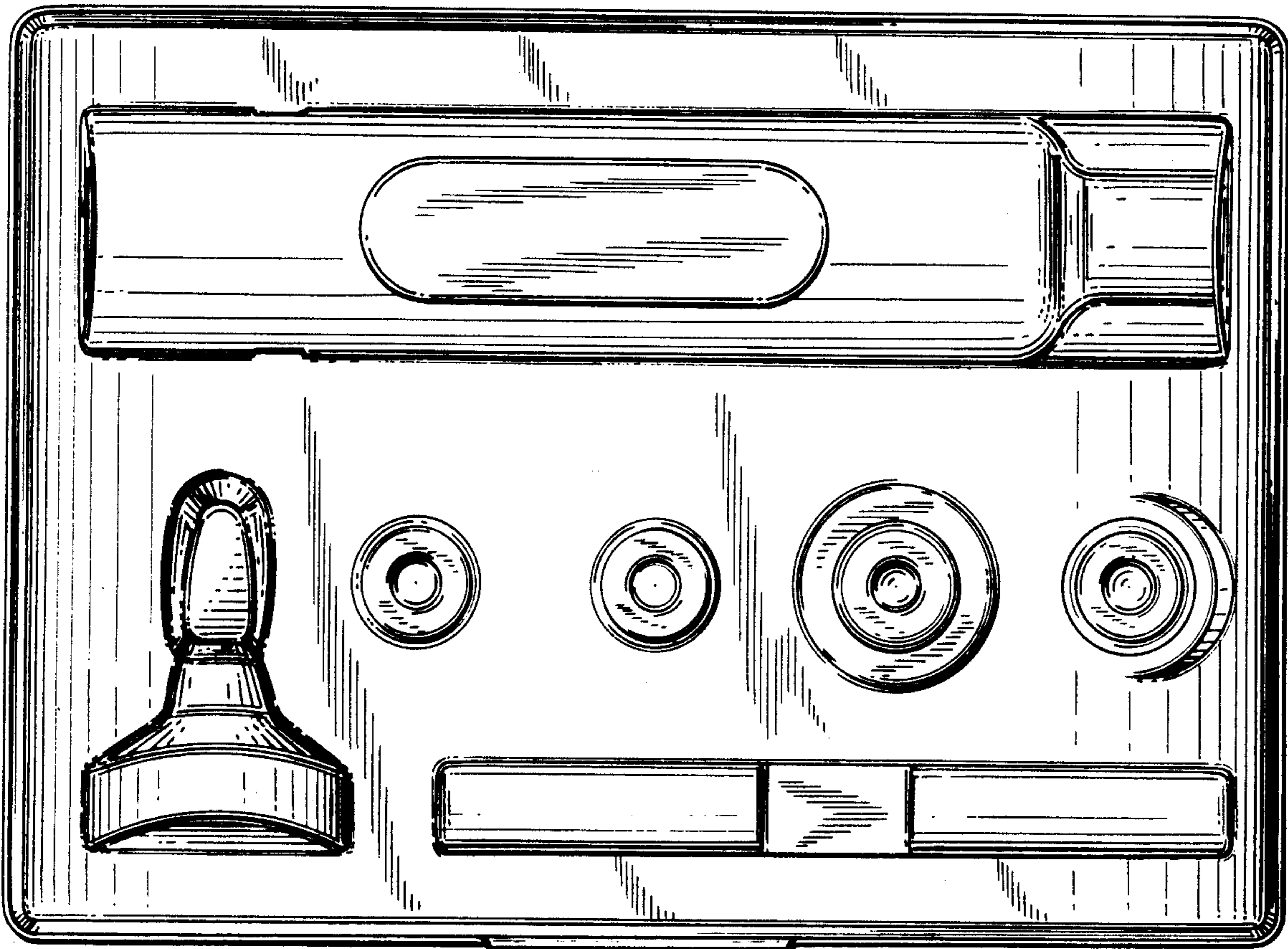
FIG. 3



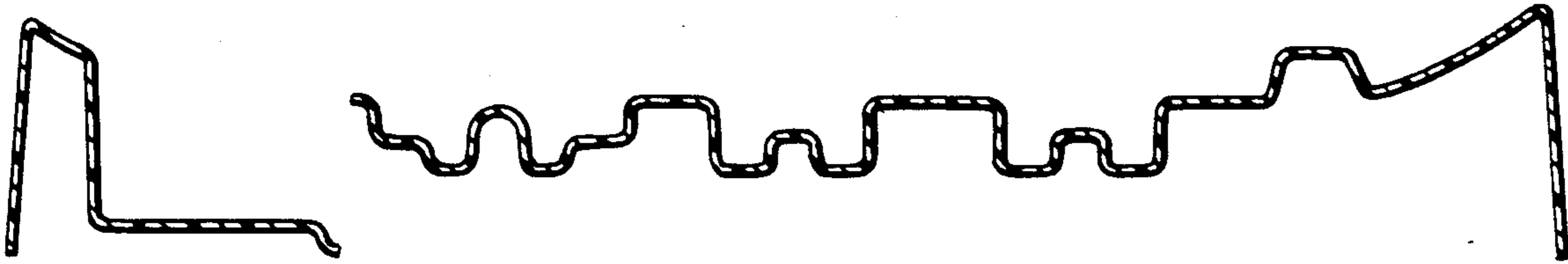
*FIG. 4*



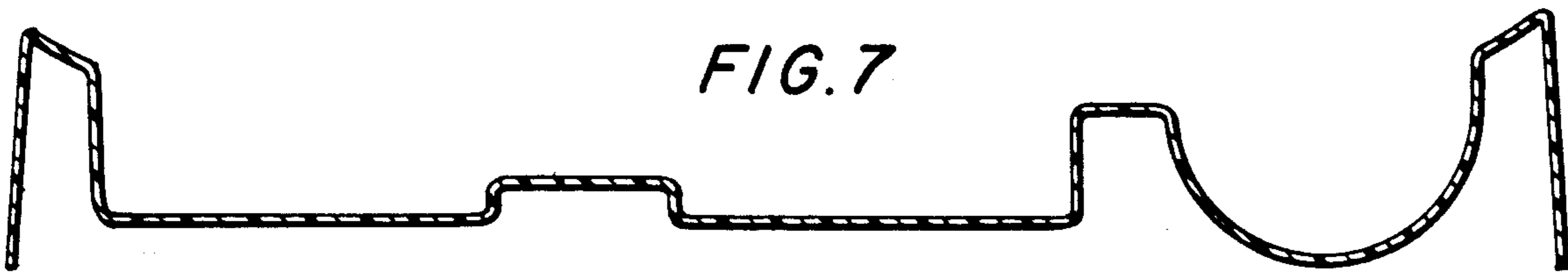
*FIG. 5*



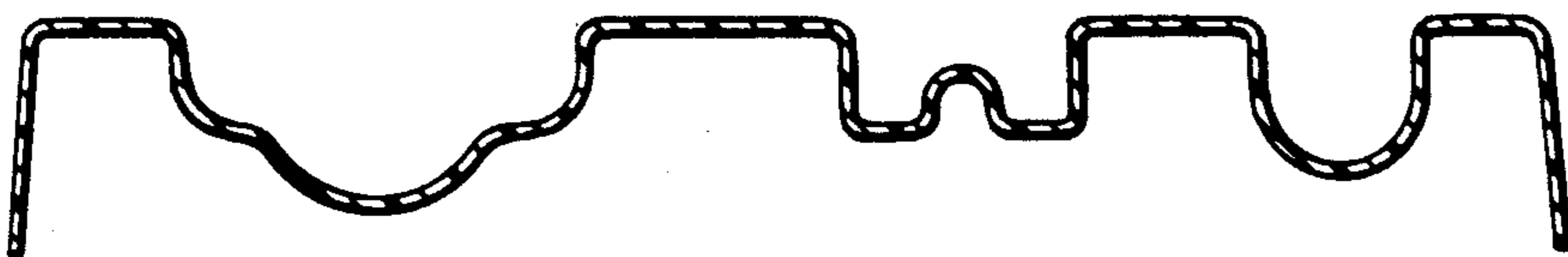
*FIG. 6*



*FIG. 7*



*FIG. 8*



*FIG. 9*

