

[54] **ADJUSTABLE SHOWER HEAD**

[75] Inventor: **Eizens Petersons**, Glen Waverley, Australia

[73] Assignee: **Dorf Industries Pty. Ltd.**, Clayton, Australia

[**] Term: **14 Years**

[21] Appl. No.: **9,907**

[22] Filed: **Feb. 6, 1979**

[30] **Foreign Application Priority Data**
 Aug. 7, 1978 [AU] Australia 75512/78

[51] Int. Cl. **D23-01**

[52] U.S. Cl. **D23/35**

[58] Field of Search **D23/34-47;**
 239/587

[56] **References Cited**
U.S. PATENT DOCUMENTS
 D. 215,288 9/1969 Thebiay D23/35

2,011,446	8/1935	Judell	239/587 X
2,874,001	2/1959	Webb	D23/35 X
3,666,179	5/1972	Pescheke-Koedt	239/587
3,669,362	6/1972	Meyerhofer et al.	239/587
3,685,745	8/1972	Pescheke-Koedt	239/587
3,893,630	7/1975	Bochmann et al.	239/587

FOREIGN PATENT DOCUMENTS

227252 9/1958 Australia 239/587

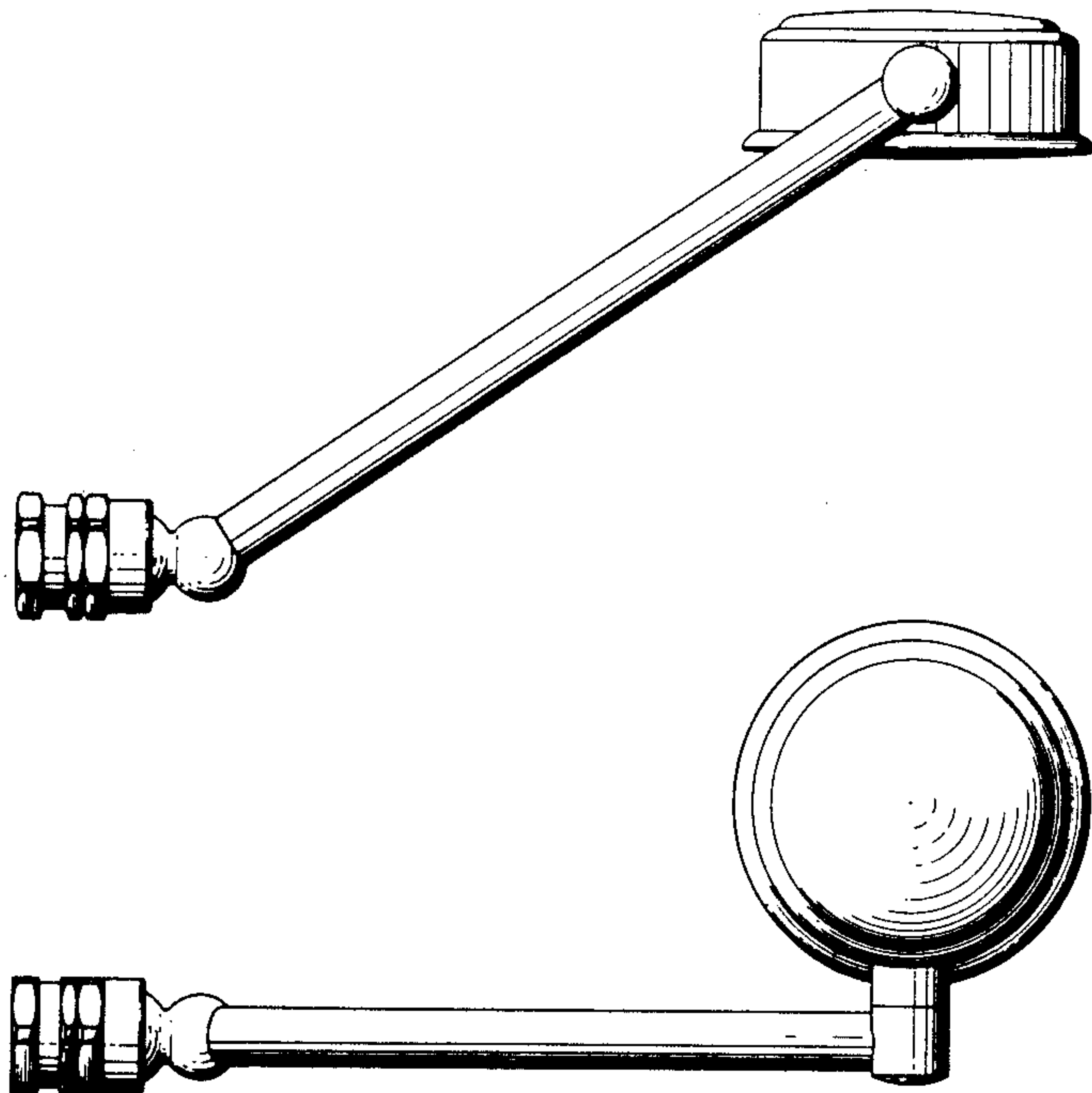
Primary Examiner—James R. Largen
Attorney, Agent, or Firm—Robert J. Seas, Jr.

[57] **CLAIM**

The ornamental design for an adjustable shower head, as shown and described.

DESCRIPTION

FIG. 1 is a left side elevational view of an adjustable shower head, showing my new design; FIG. 2 is a front elevational view thereof; and FIG. 3 is a top plan view thereof. The bottom of the shower head is unornamented except for a conventional array of perforations therein.



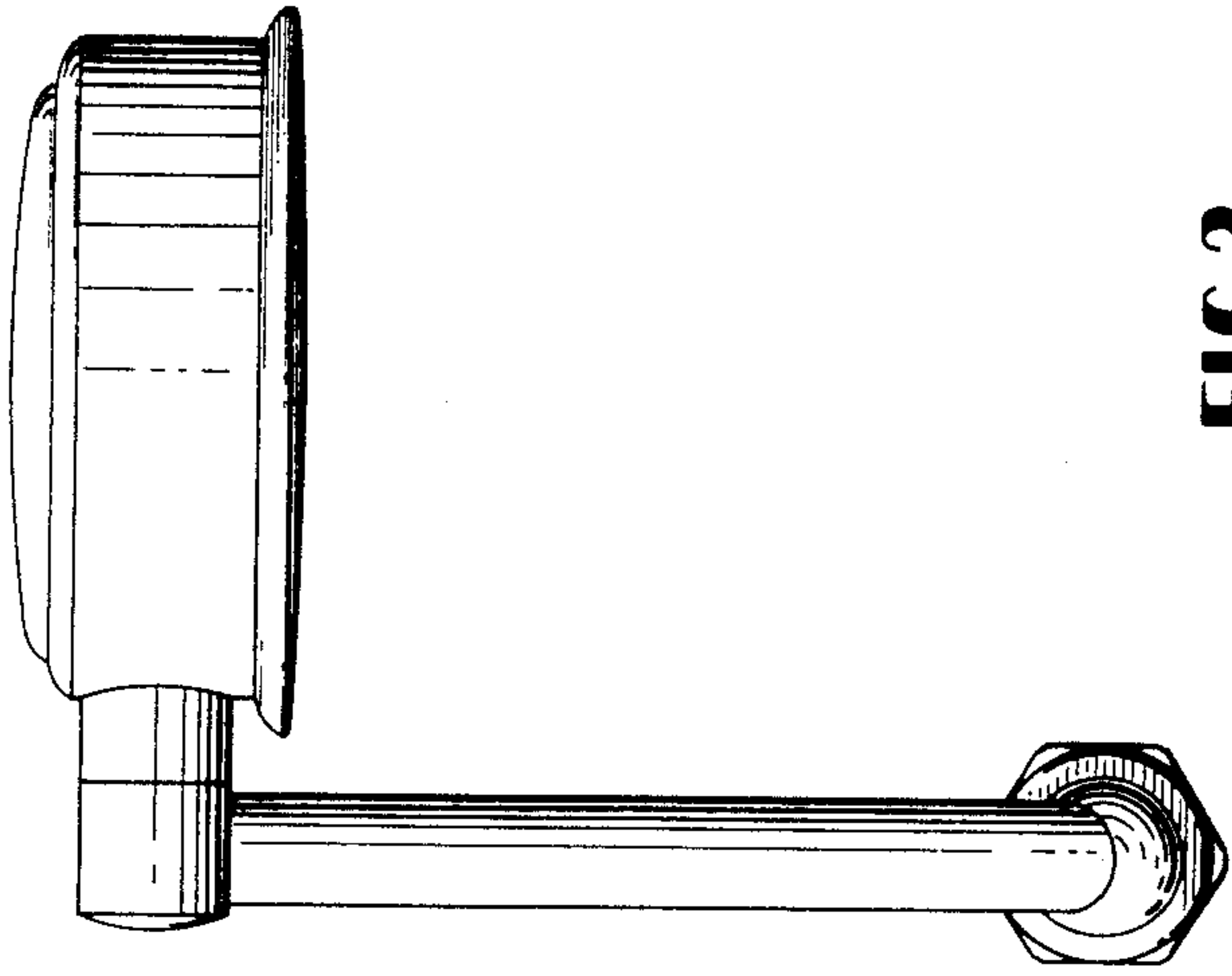


FIG. 2

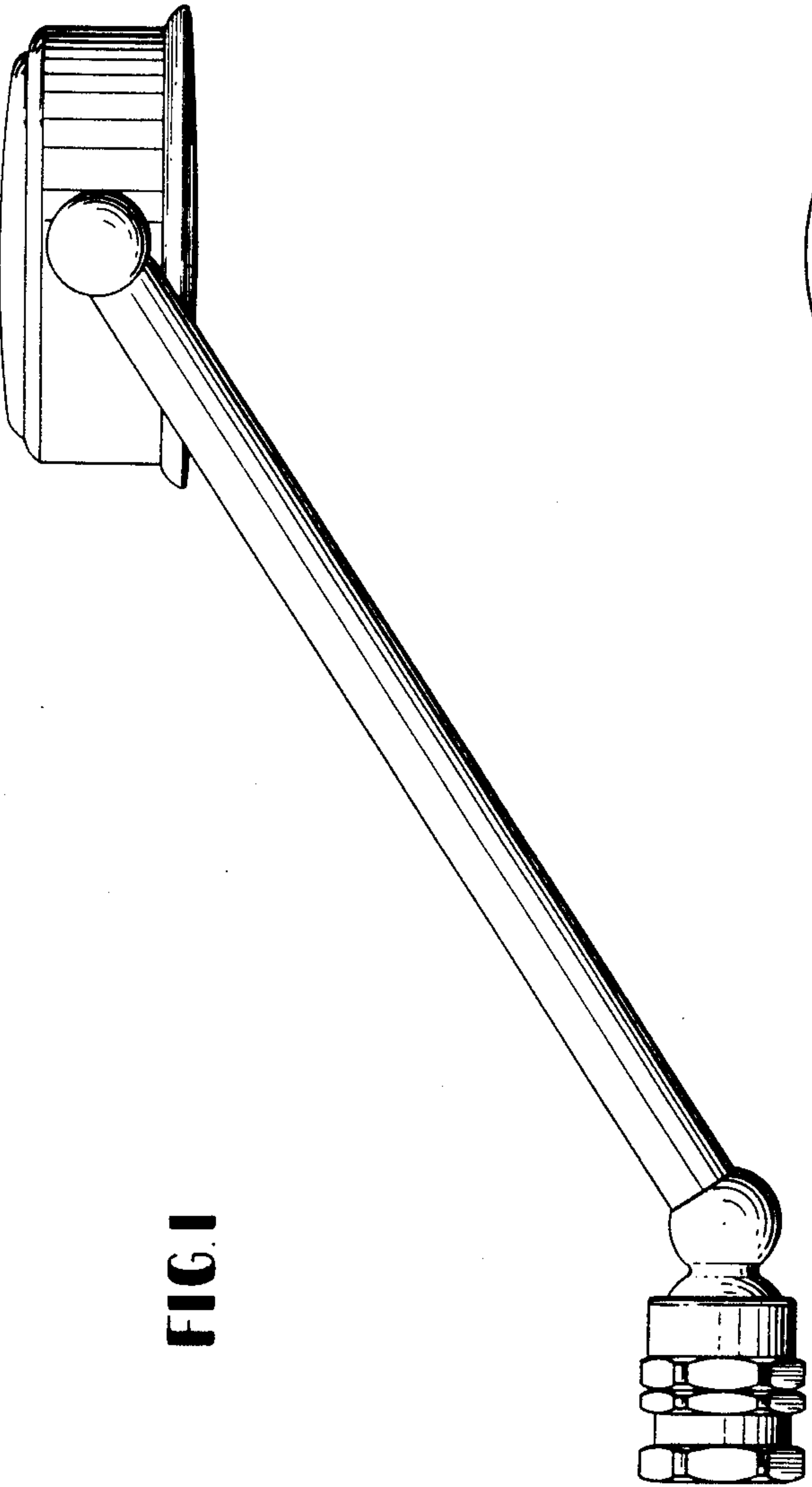


FIG. 1

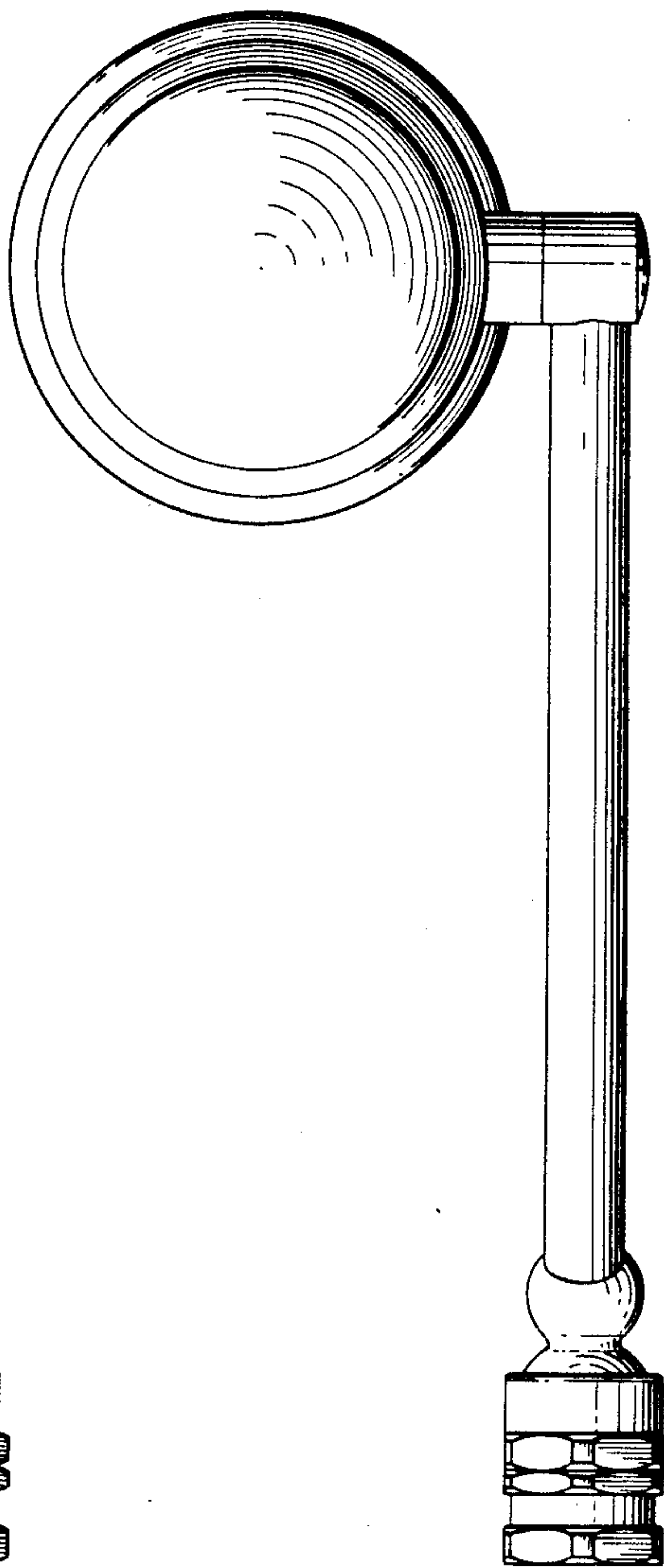


FIG. 3