

[54] COMBINED SET OF TEACHING GAME  
TILES AND HOLDER

[76] Inventor: **Heinz Vogel**, Inhauser Str. 4, D-2940  
Wilhelmshaven, Fed. Rep. of  
Germany

[\*\*] Term: **14 Years**

[21] Appl. No.: **916,309**

[22] Filed: **Jun. 16, 1978**

[30] **Foreign Application Priority Data**

Jan. 18, 1978 [DE] Fed. Rep. of Germany ..... 231

[51] Int. Cl. .... **D19-07**

[52] U.S. Cl. .... **D19/59; D21/51**

[58] Field of Search ..... **D19/59; D21/51;**  
**35/31 F, 31 D, 73.70, 9 R, 69, 27; 46/16**

[56] **References Cited**

**U.S. PATENT DOCUMENTS**

1,857,009 5/1932 Amor ..... 35/73  
3,403,460 10/1968 Barrows ..... 35/70

**FOREIGN PATENT DOCUMENTS**

20377 of 1904 United Kingdom ..... 35/73

*Primary Examiner*—Melvin B. Feifer  
*Attorney, Agent, or Firm*—Michael J. Striker

[57] **CLAIM**

The ornamental design for a combined set of teaching  
game tiles and holder, substantially as shown and de-  
scribed.

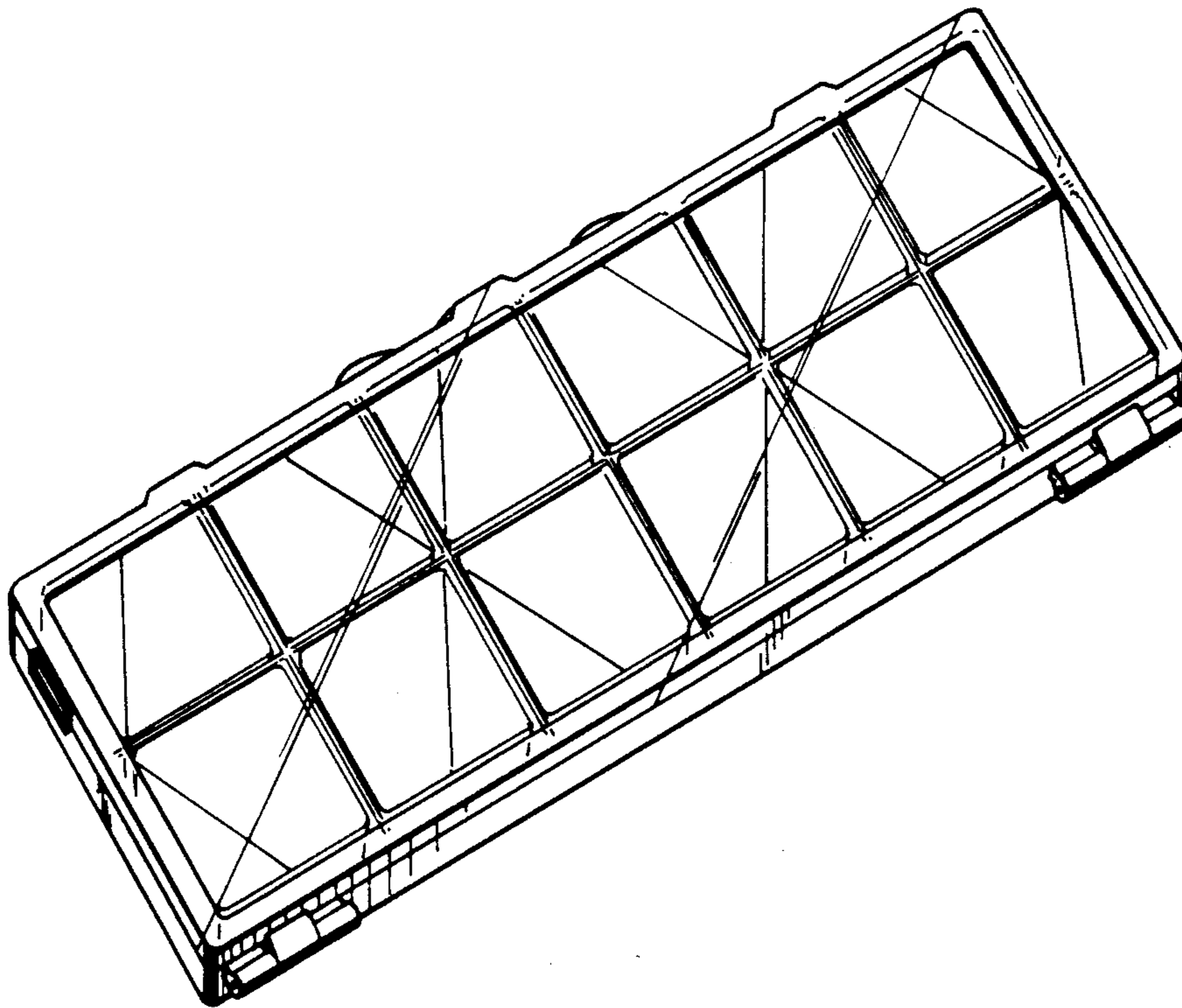
**DESCRIPTION**

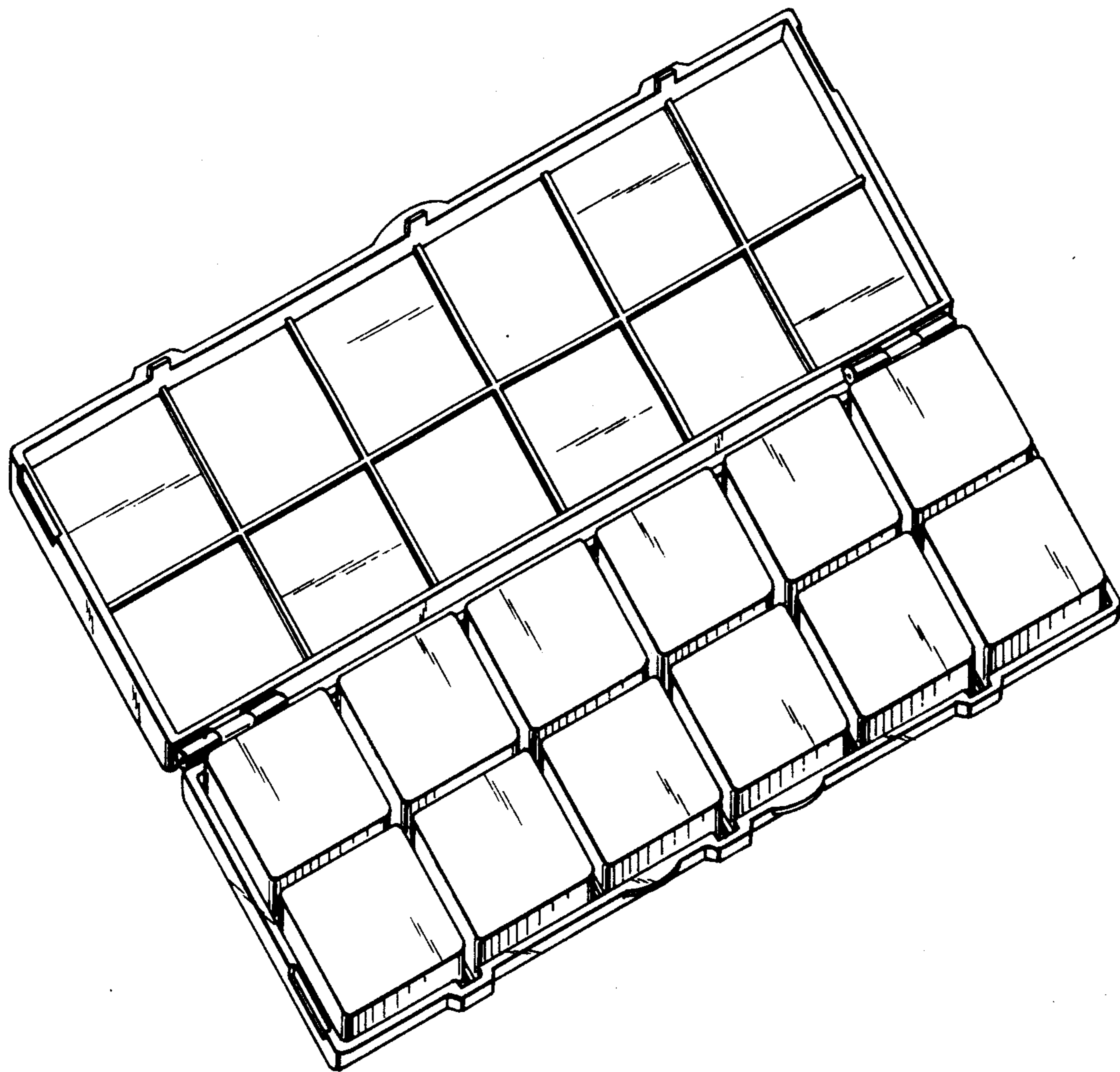
FIG. 1 is an isometric view, showing my novel com-  
bined set of teaching game tiles and holder in open  
position;

FIG. 2 is an isometric top view of the same in closed  
position;

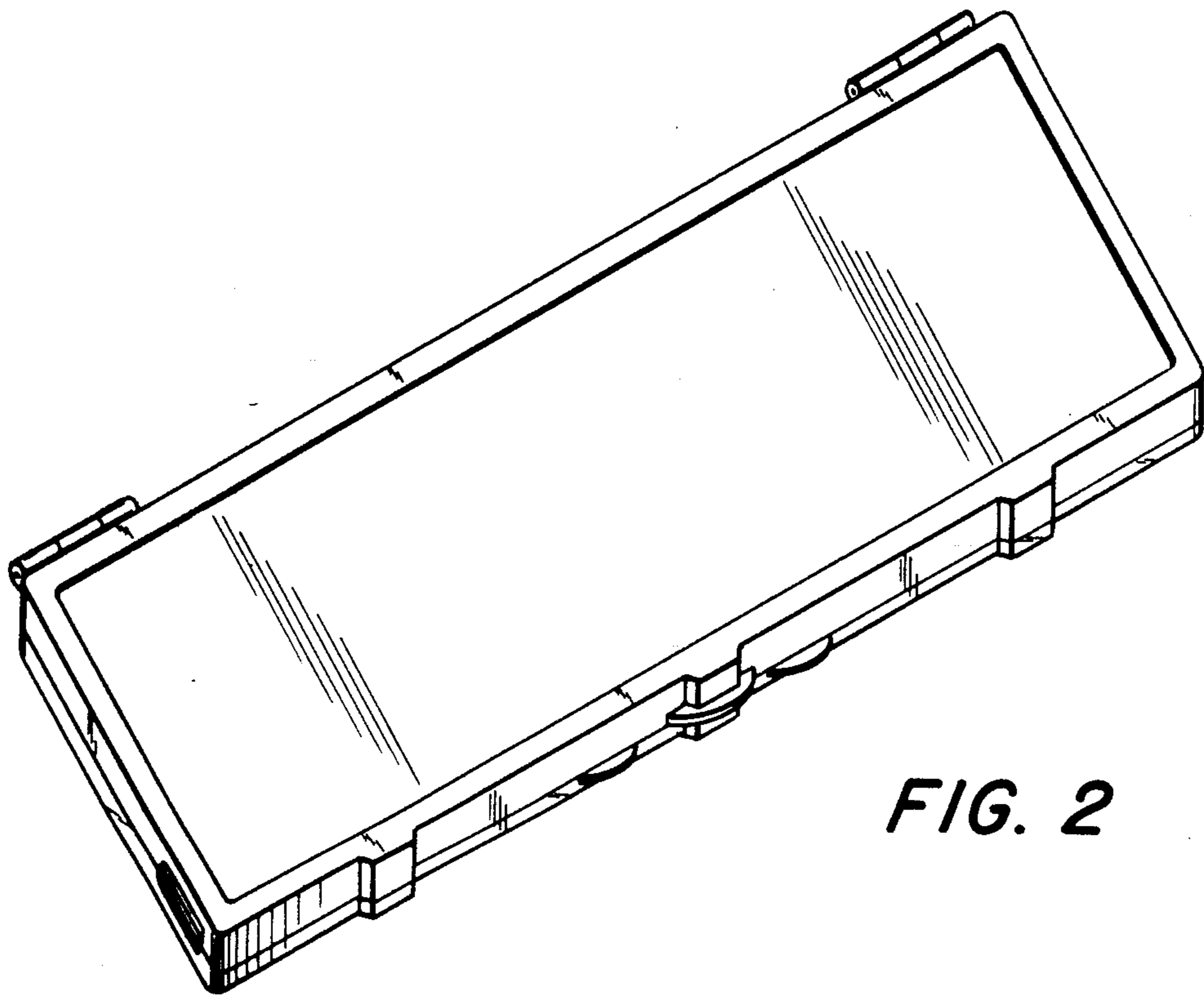
FIG. 3 is an isometric bottom view of the same in closed  
position; and

FIG. 4 is an exploded isometric view of the same.

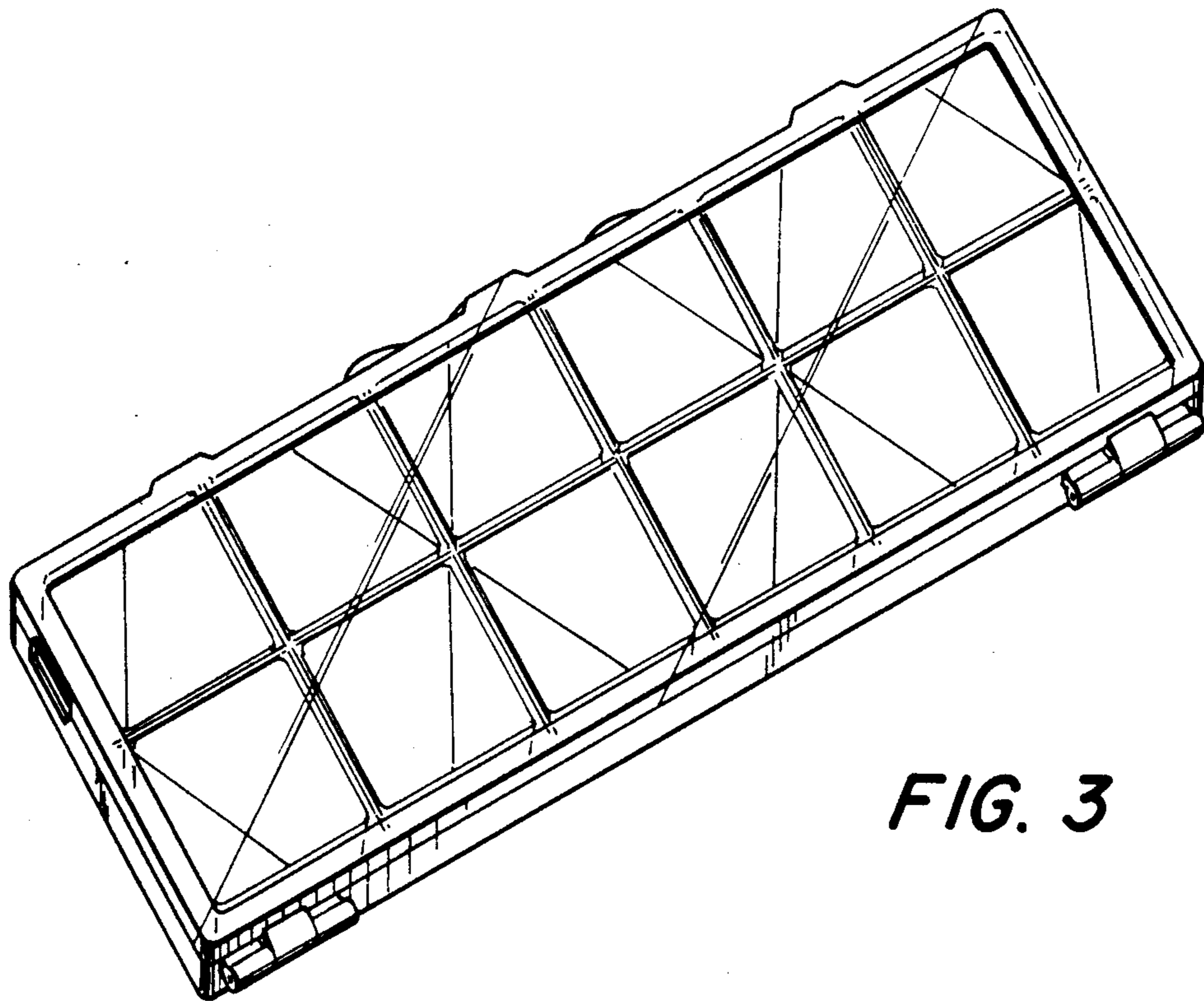




*FIG. 1*



**FIG. 2**



**FIG. 3**

**FIG. 4**

