

[54] COIN DISPLAY PAGE

[76] Inventor: **Everett A. Peterson**, 113 St. Marks Pl., Roslyn Heights, N.Y. 11577

[\*\*] Term: **14 Years**

[21] Appl. No.: **928,808**

[22] Filed: **Jul. 28, 1978**

[51] Int. Cl. .... **D19-04**

[52] U.S. Cl. .... **D19/33**

[58] Field of Search ..... **D19/26, 27, 32, 33; 40/158 R, 158 B; 229/92.9; 206/0.8-0.84; D6/232-240**

[56]

**References Cited**

**U.S. PATENT DOCUMENTS**

D. 240,815	8/1976	Peterson .....	D19/33
2,139,150	12/1938	Curtis et al. ....	206/0.84
3,064,805	11/1962	Bains .....	206/0.83

*Primary Examiner*—George P. Word  
*Attorney, Agent, or Firm*—Lewis H. Eslinger

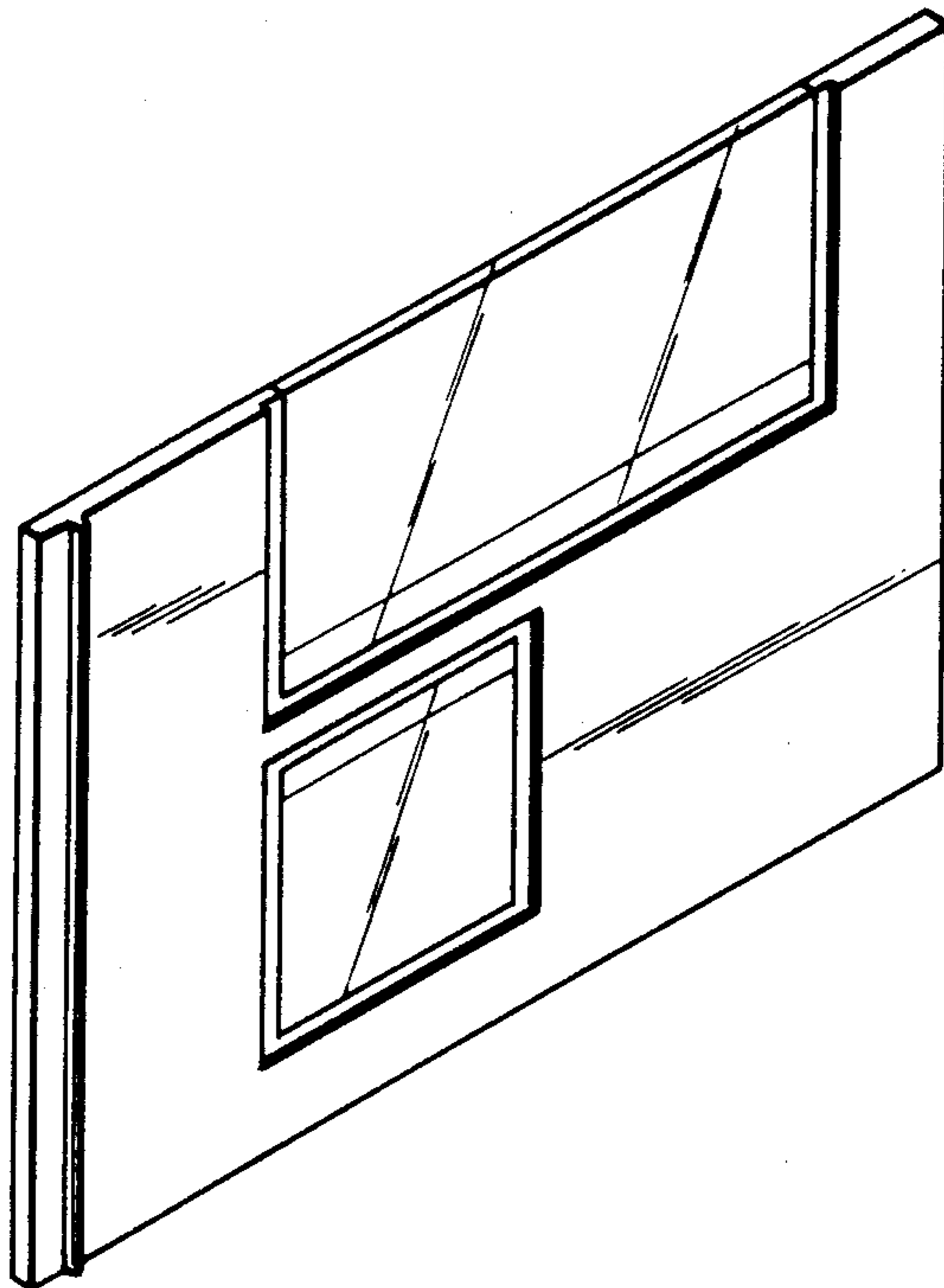
[57]

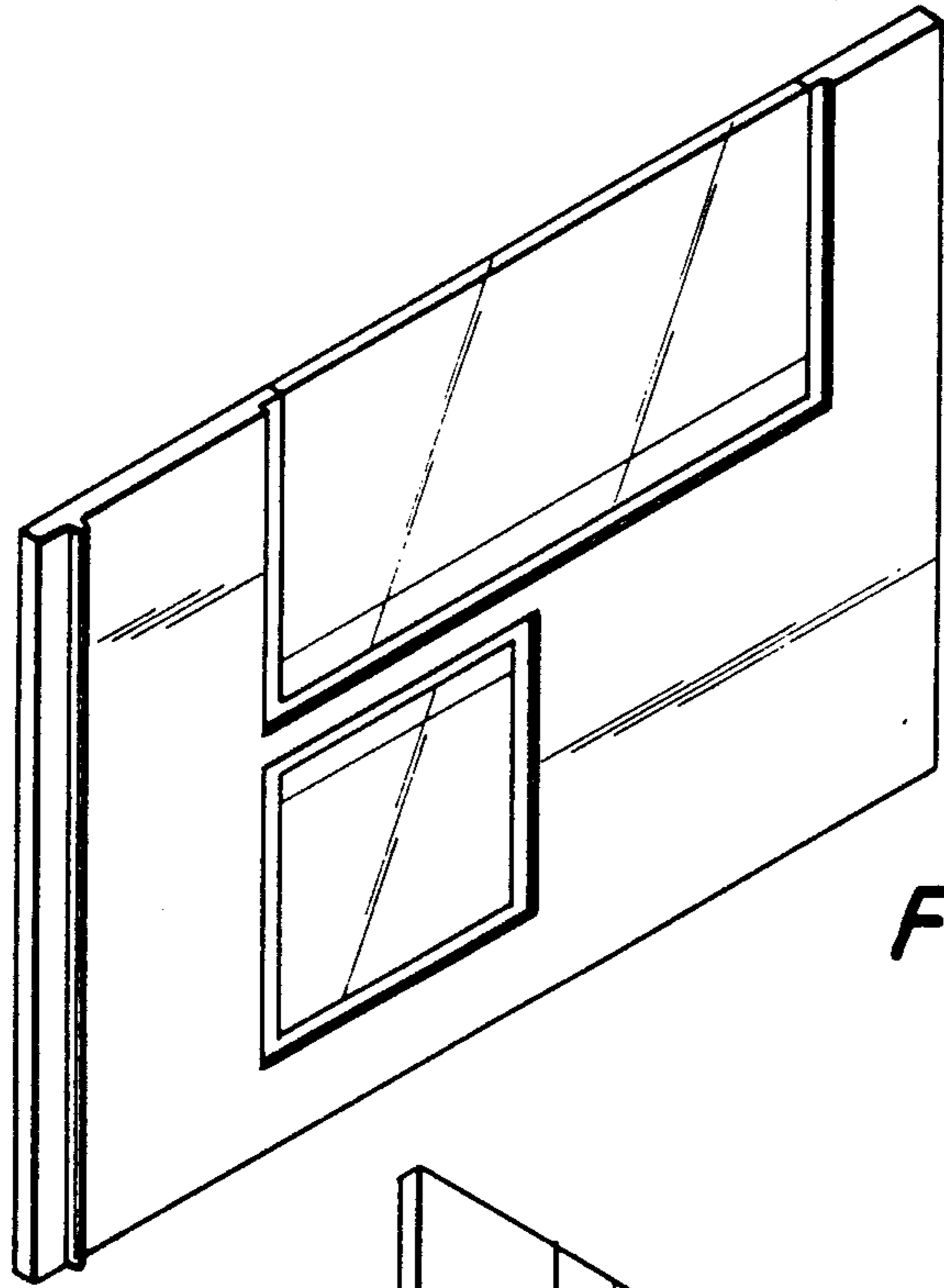
**CLAIM**

The ornamental design for a coin display page, as shown.

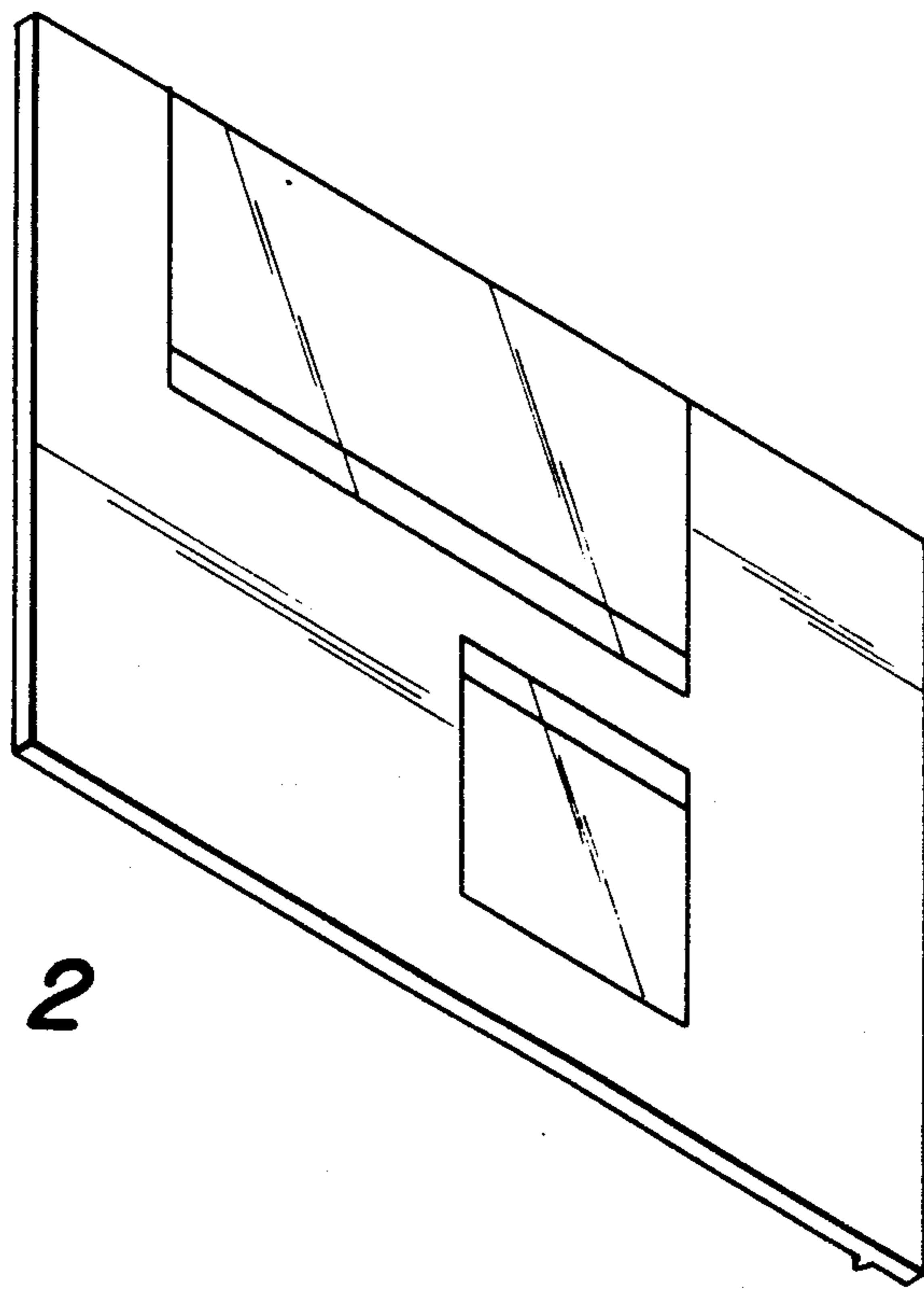
**DESCRIPTION**

FIG. 1 is a top front perspective view of a coin display page showing my new design; and FIG. 2 is a bottom rear perspective view thereof.





*FIG. 1*



*FIG. 2*