

[54] PAPER SHEET HOLDER FOR A FOOD PATTY INTERLEAVING MACHINE OR THE LIKE

[76] Inventor: Bernard Miles, 119 Trenton Ave., Point Pleasant Beach, N.J. 08742

[**] Term: 14 Years

[21] Appl. No.: 849,810

[22] Filed: Nov. 9, 1977

[51] Int. Cl. D15-08

[52] U.S. Cl. D15/121; D15/145

[58] Field of Search D19/26, 27, 32; D8/355; D18/22; 402/24, 10, 21, 58; 24/67 PR; 53/157, 389, 122; 271/226, 232, 234; D15/92, 121, 145

[56] References Cited

U.S. PATENT DOCUMENTS

3,851,442 12/1974 Miles 53/122
4,074,509 2/1978 Miles 53/122

Primary Examiner—George P. Word
Attorney, Agent, or Firm—Edward R. Weingram

[57] CLAIM

The ornamental design for paper sheet holder for a food patty interleaving machine or the like, as shown and described.

DESCRIPTION

FIG. 1 is a perspective view of a paper sheet holder for a food patty interleaving machine or the like, showing my new design;

FIG. 2 is a front elevational view thereof;

FIG. 3 is a rear elevational view thereof;

FIG. 4 is left side elevational view thereof;

FIG. 5 is a right side elevational view thereof;

FIG. 6 is a top plan view thereof; and

FIG. 7 is a bottom plan view thereof.

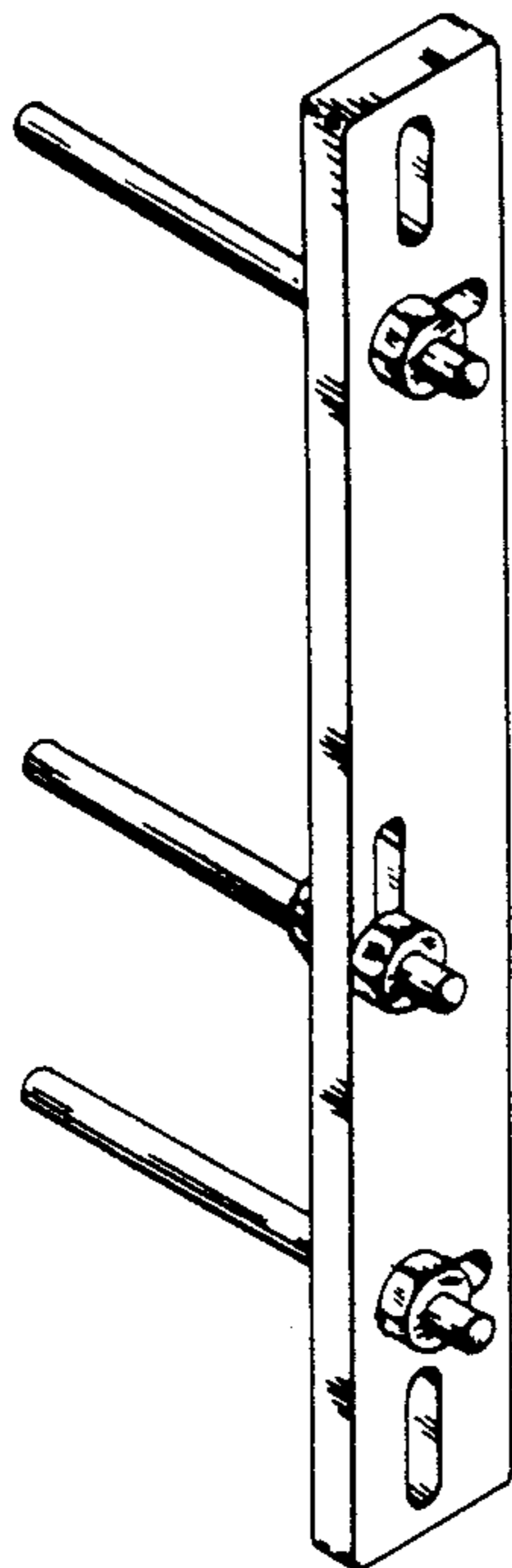


FIG. 1

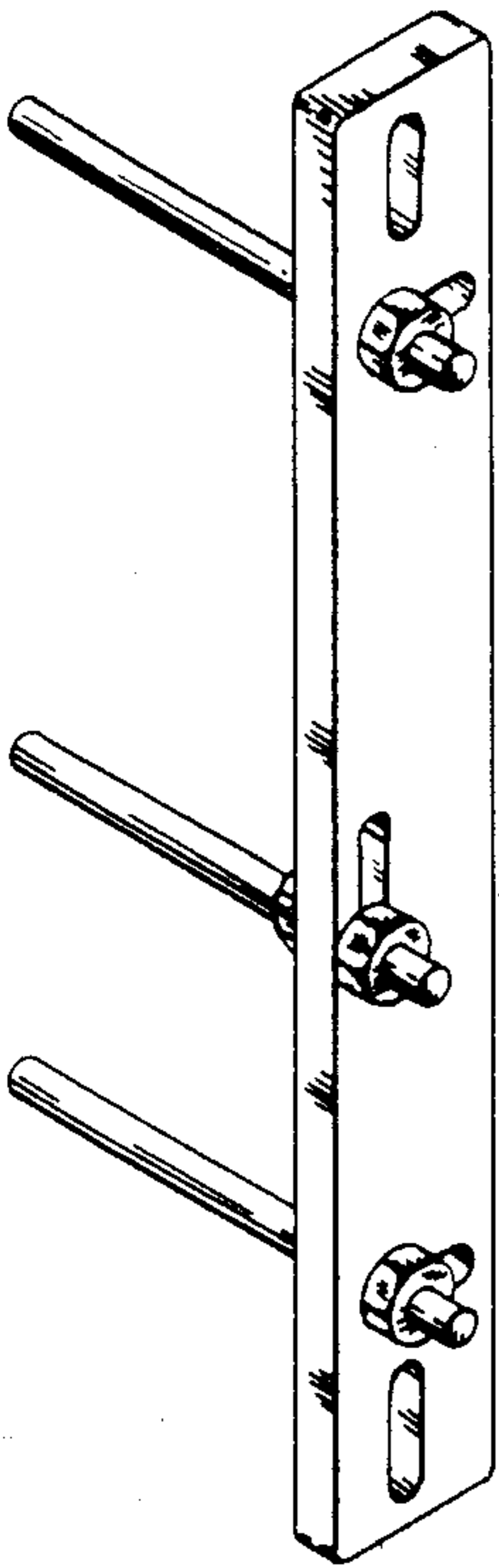


FIG. 2

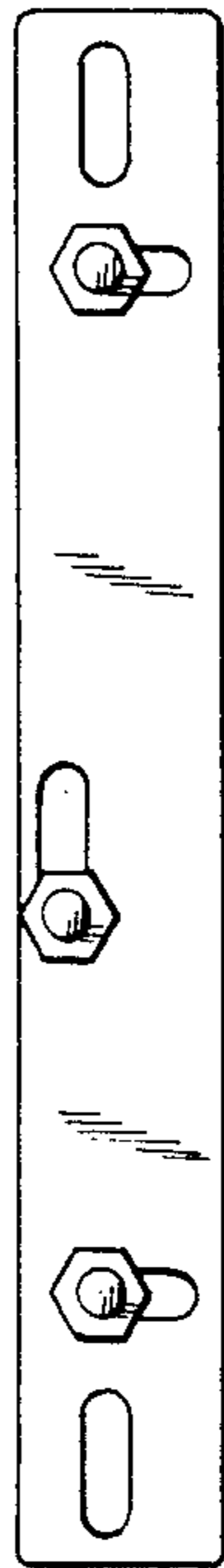


FIG. 3

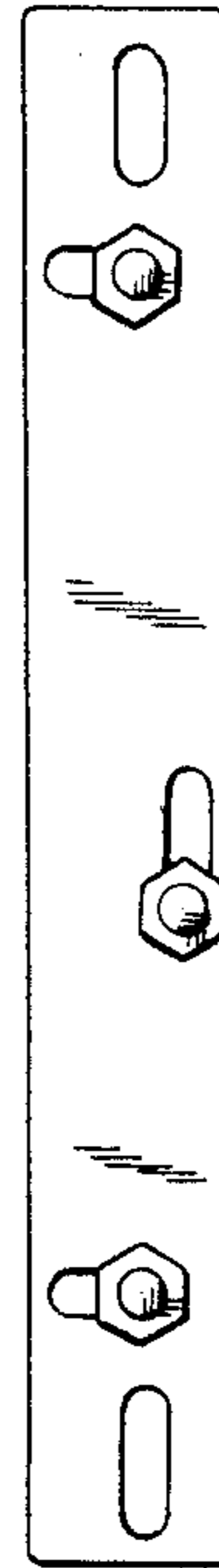


FIG. 4

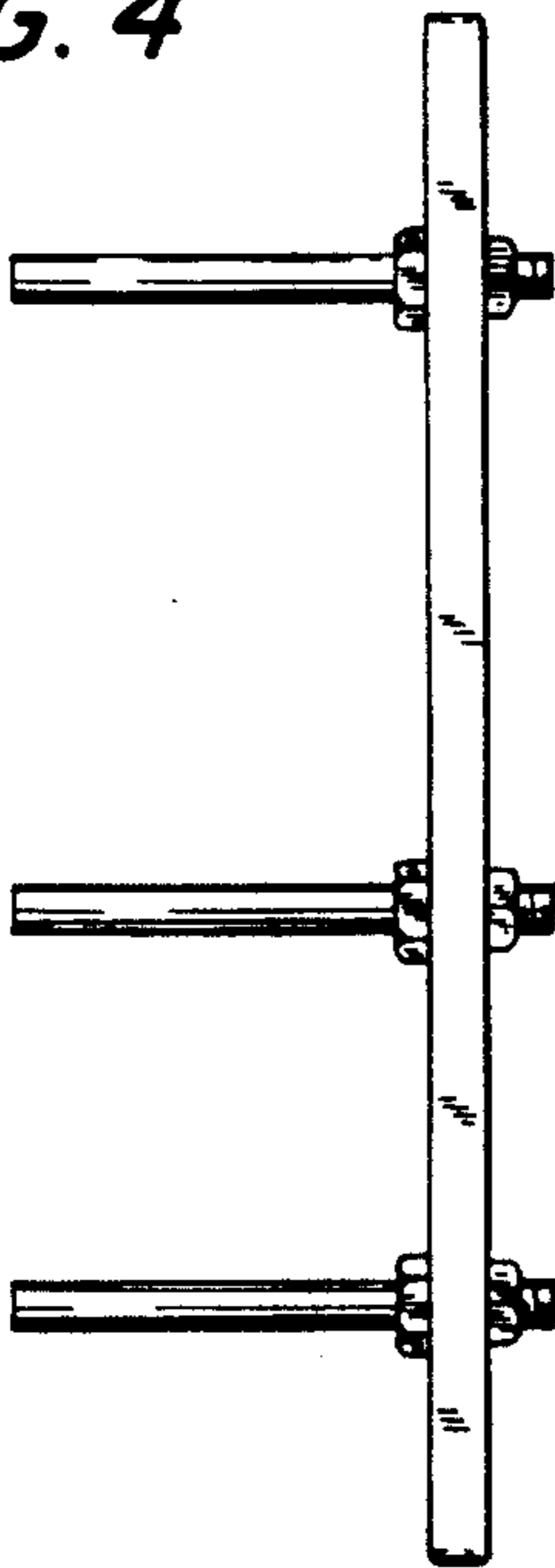


FIG. 5

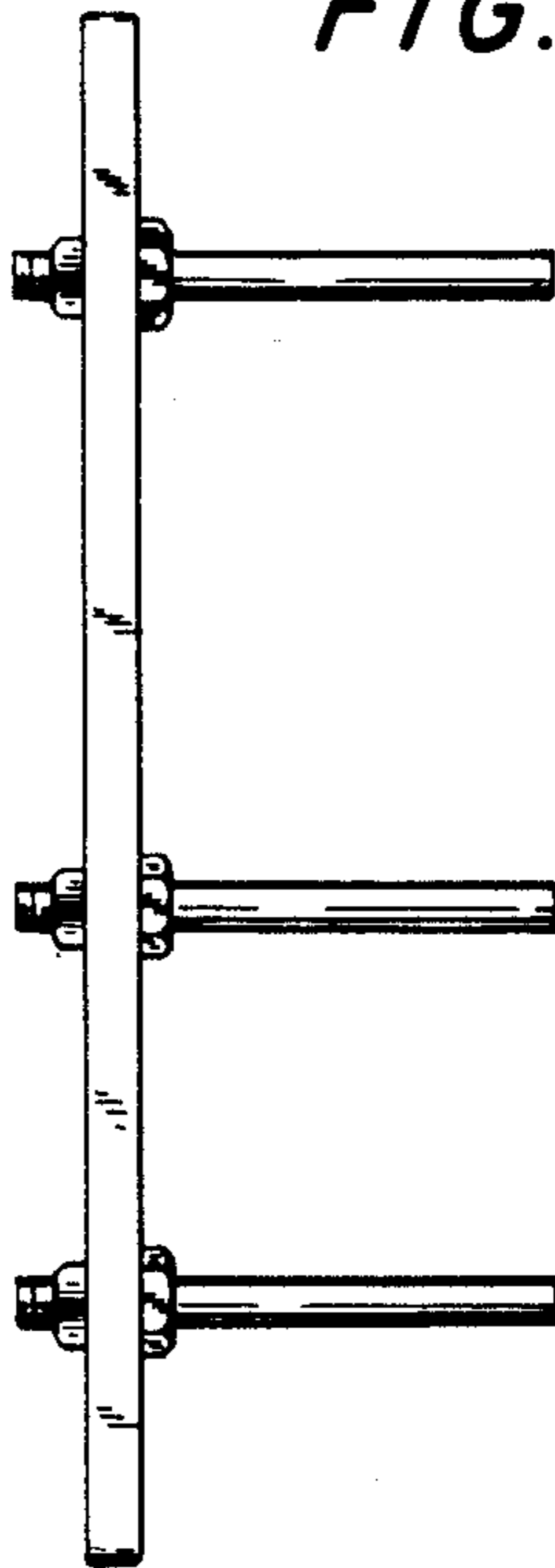


FIG. 6



FIG. 7

