

[54] VAPORIZATION COOLED TRANSFORMER OR SIMILAR ARTICLE

4,048,603 9/1977 Staub et al. 336/61 X

[75] Inventor: Linden W. Pierce, Rome, Ga.

Primary Examiner—Catherine E. Kemper
Attorney, Agent, or Firm—Francis X. Doyle

[73] Assignee: General Electric Company, Pittsfield, Mass.

[57] CLAIM

[**] Term: 14 Years

The ornamental design for a vaporization cooled transformer or similar article, as shown and described.

[21] Appl. No.: 901,030

[22] Filed: Apr. 27, 1978

[51] Int. Cl. D13—02

[52] U.S. Cl. D13/4

[58] Field of Search 336/65, 67, 90, 92, 336/61, 57; 174/52 R; D13/4, 40, 41

[56] References Cited

U.S. PATENT DOCUMENTS

3,054,975 9/1962 Barr 336/90
3,867,982 2/1975 White 336/57 X

DESCRIPTION

FIG. 1 is a front perspective view of the vaporization cooled transformer or similar article of the invention showing my design;

FIG. 2 is a side view of the vaporization cooled transformer or similar article of FIG. 1;

FIG. 3 is another side view of the vaporization cooled transformer or similar article of FIG. 1;

FIG. 4 is a rear view of the vaporization cooled transformer or similar article of FIG. 1; and

FIG. 5 is a front view of the vaporization cooled transformer or similar article of FIG. 1.

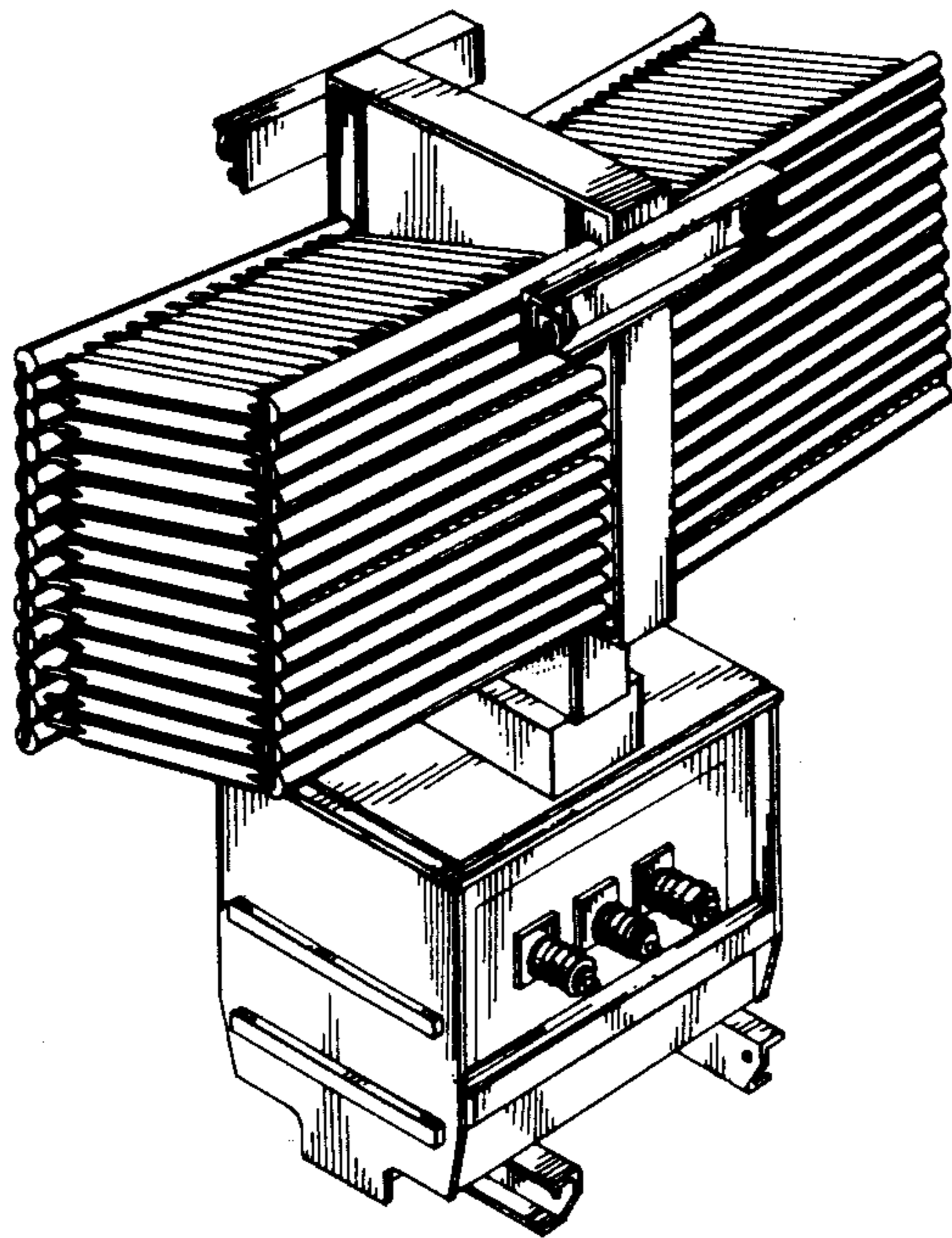


Fig. 1.

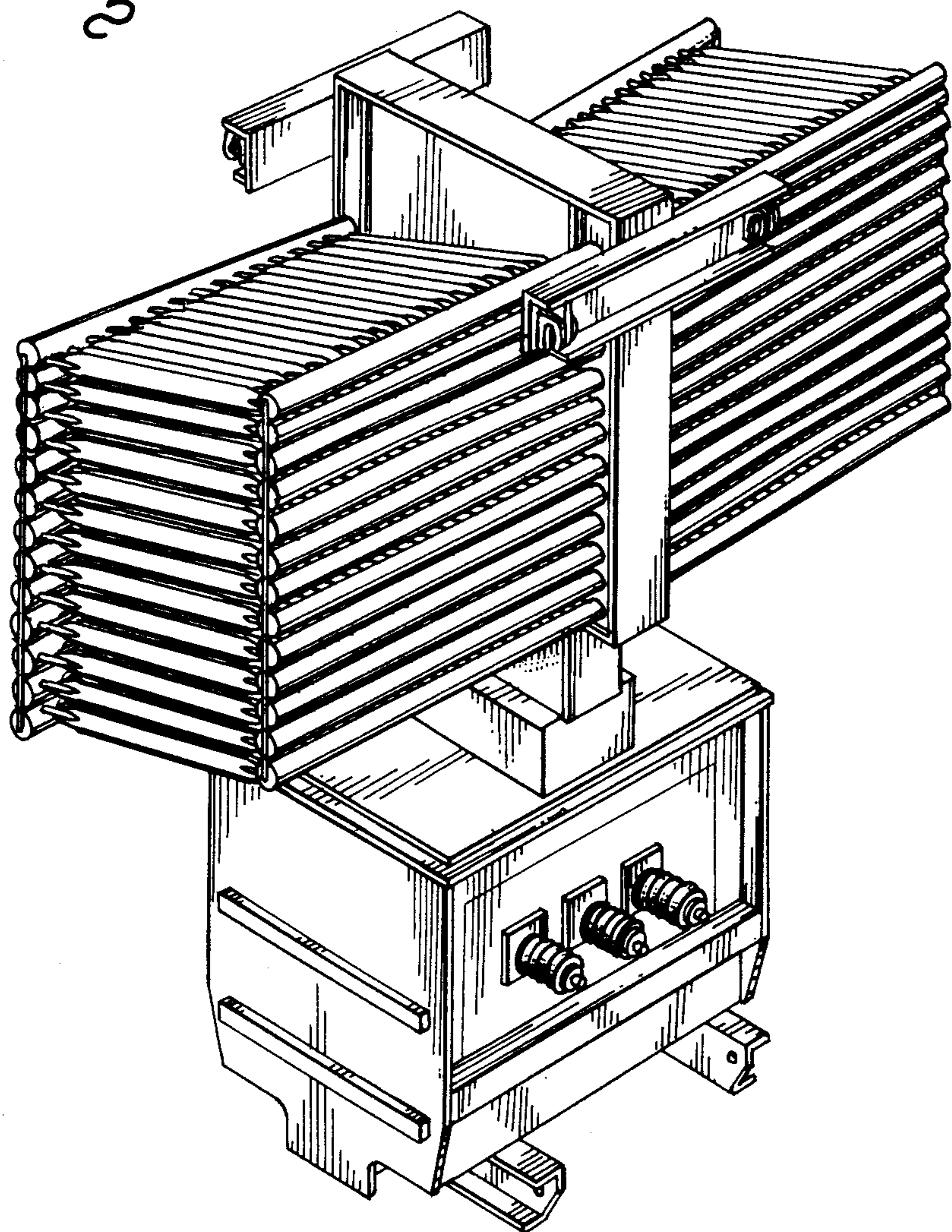


Fig. 2.

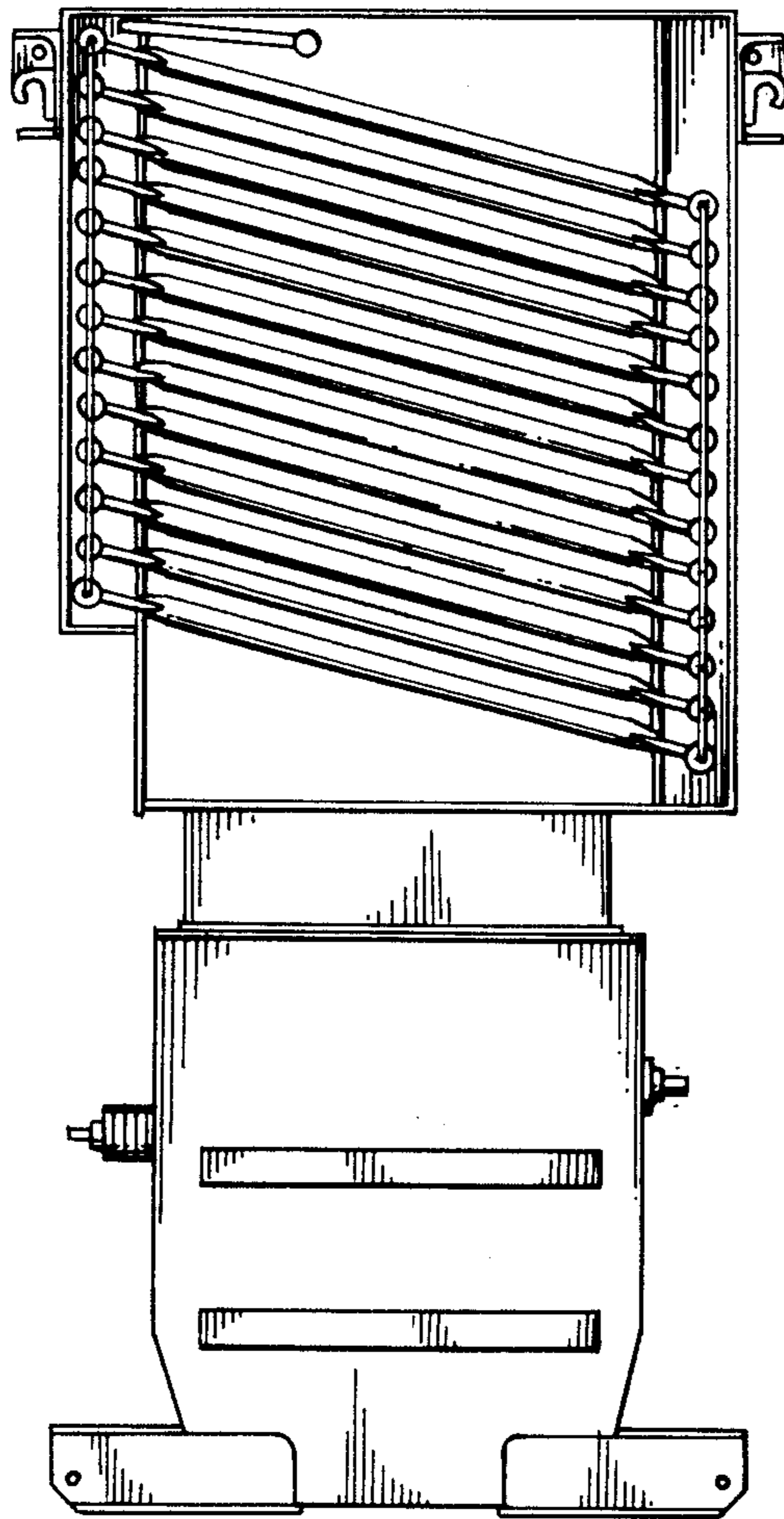


Fig. 3.

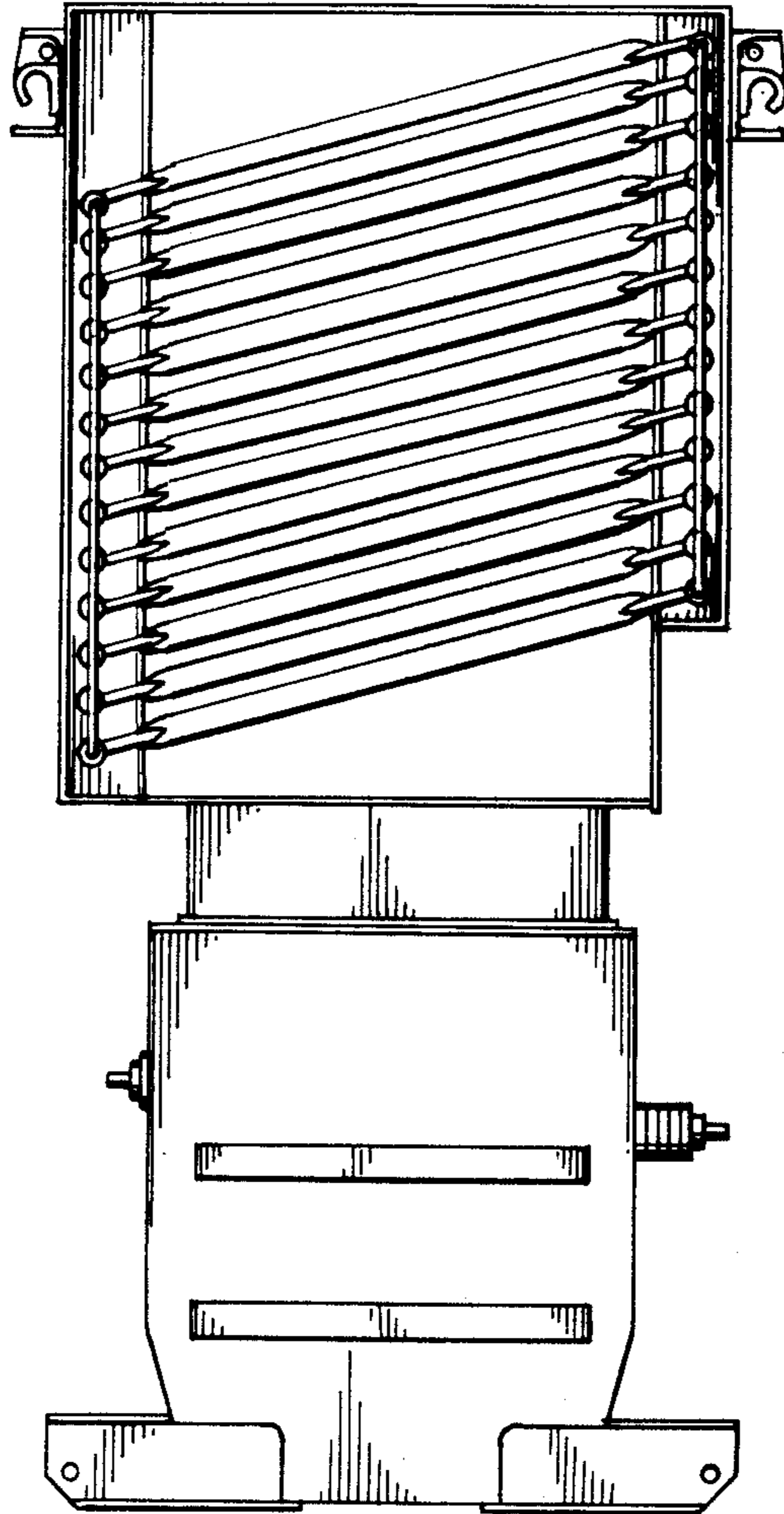


Fig. 4.

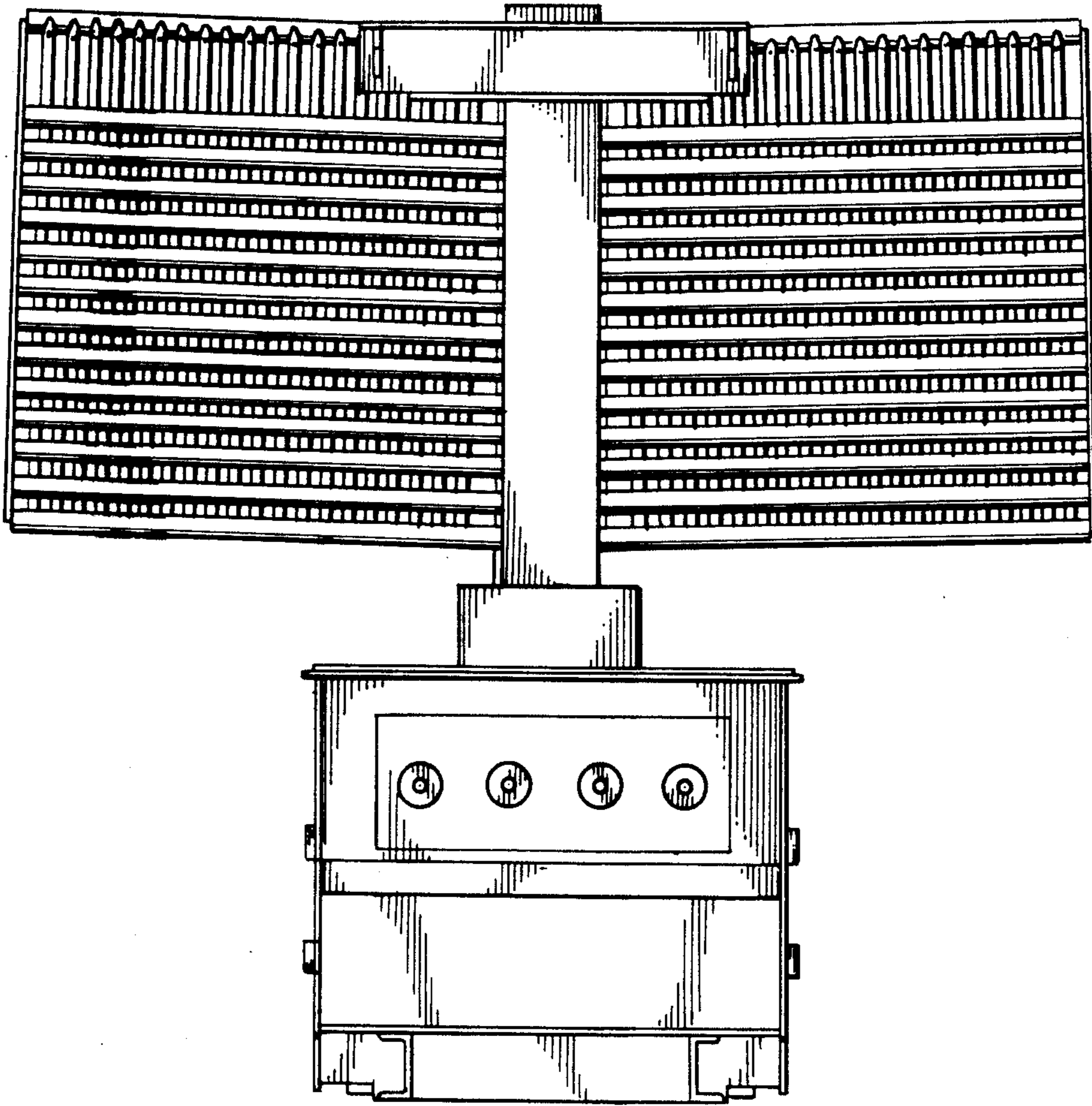


Fig. 5.

