

[54] HOMOPOLAR GENERATOR

[75] Inventors: William F. Weldon; James M. Weldon, both of Austin, Tex.

[73] Assignee: Astec Industries, Inc., Chattanooga, Tenn.

[\*\*] Term: 14 Years

[21] Appl. No.: 906,602

[22] Filed: May 16, 1978

[51] Int. Cl. .... D13-01

[52] U.S. Cl. .... D13/3

[58] Field of Search ..... D13/1, 2, 3, 4; 310/102 R, 178

[56] References Cited

U.S. PATENT DOCUMENTS

3,187,212 6/1965 Sears ..... 310/178

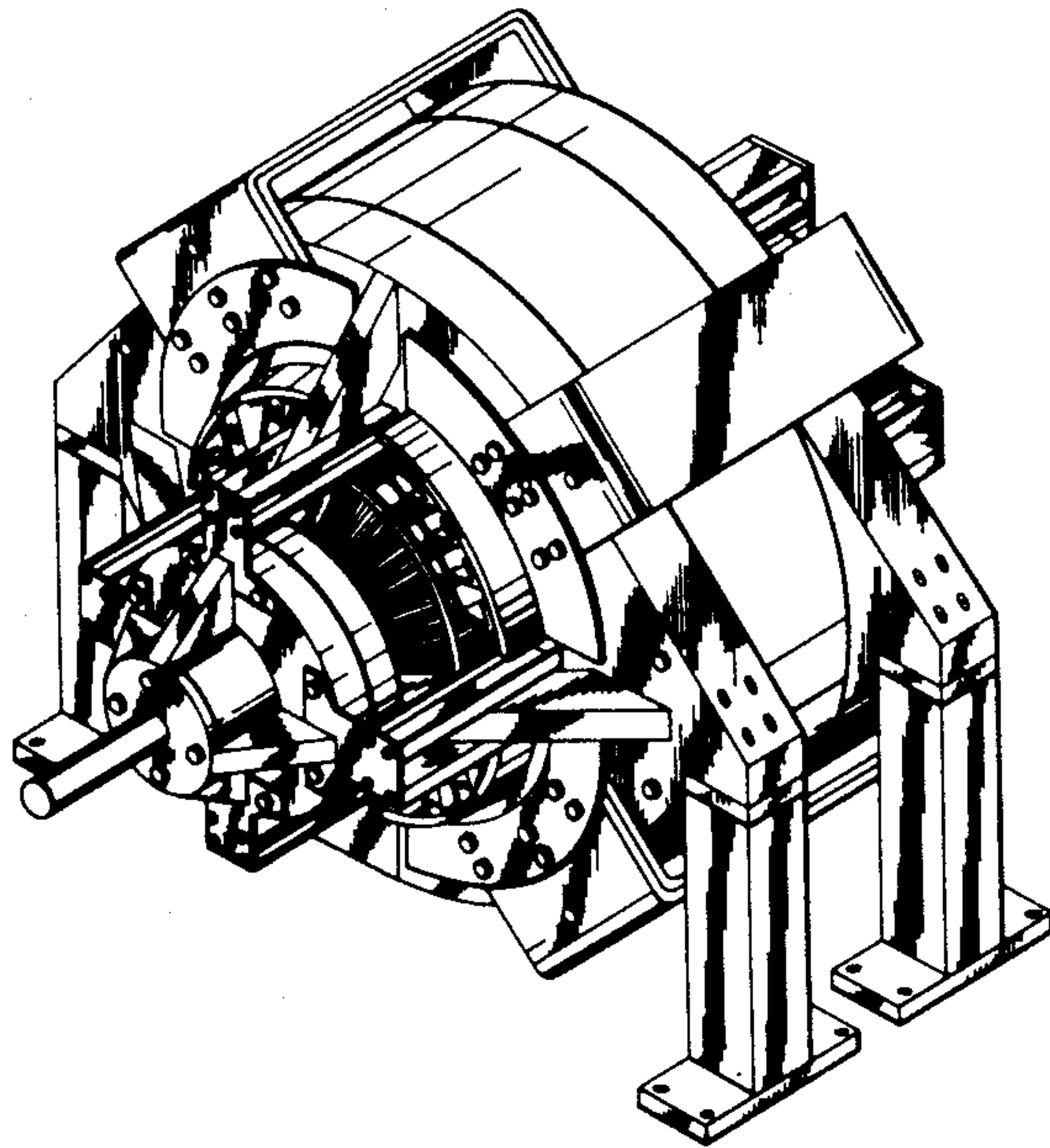
Primary Examiner—Susan J. Lucas  
Attorney, Agent, or Firm—Harold D. Jones, Jr.

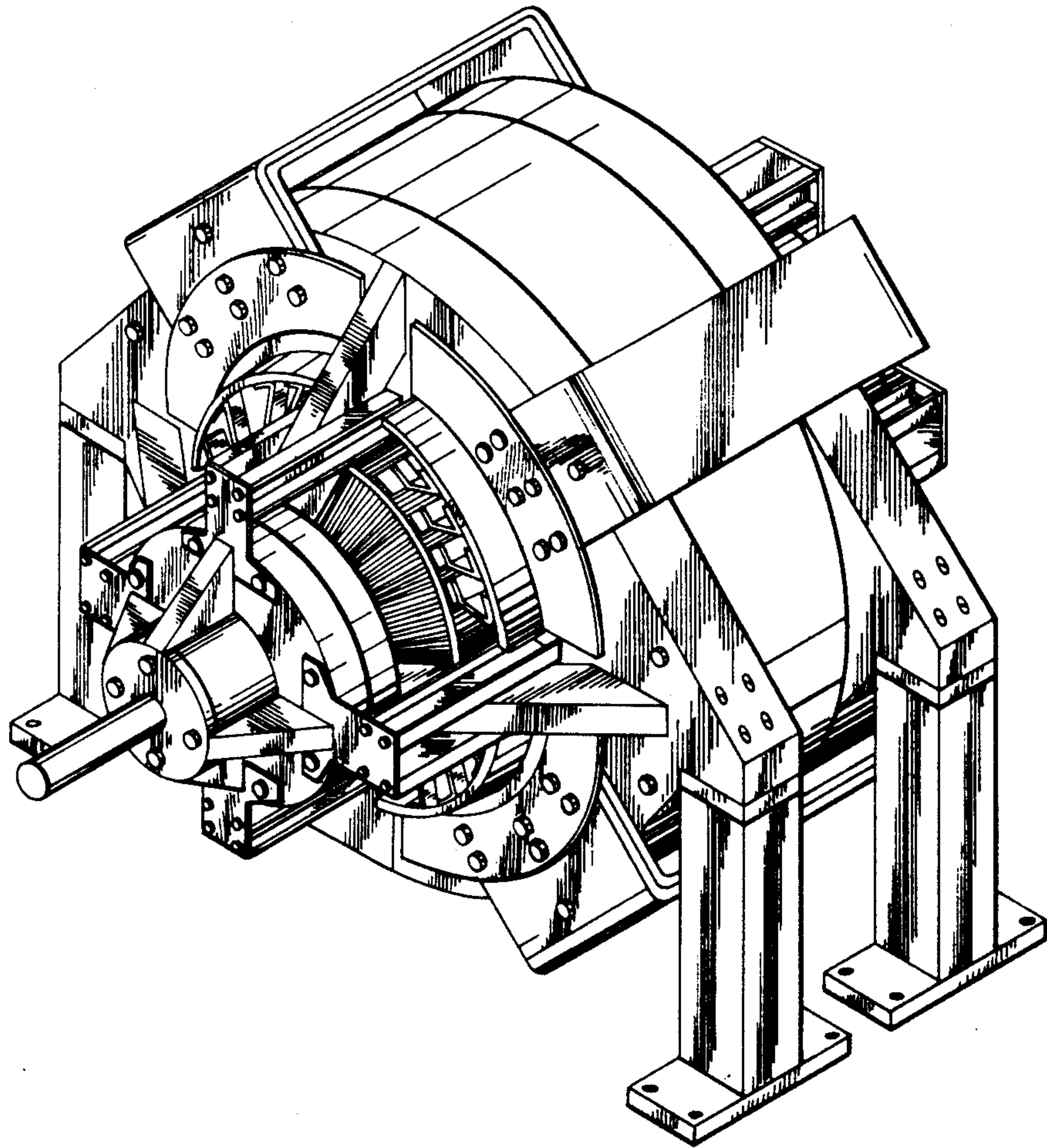
[57] CLAIM

The ornamental design for a homopolar generator, substantially as shown and described.

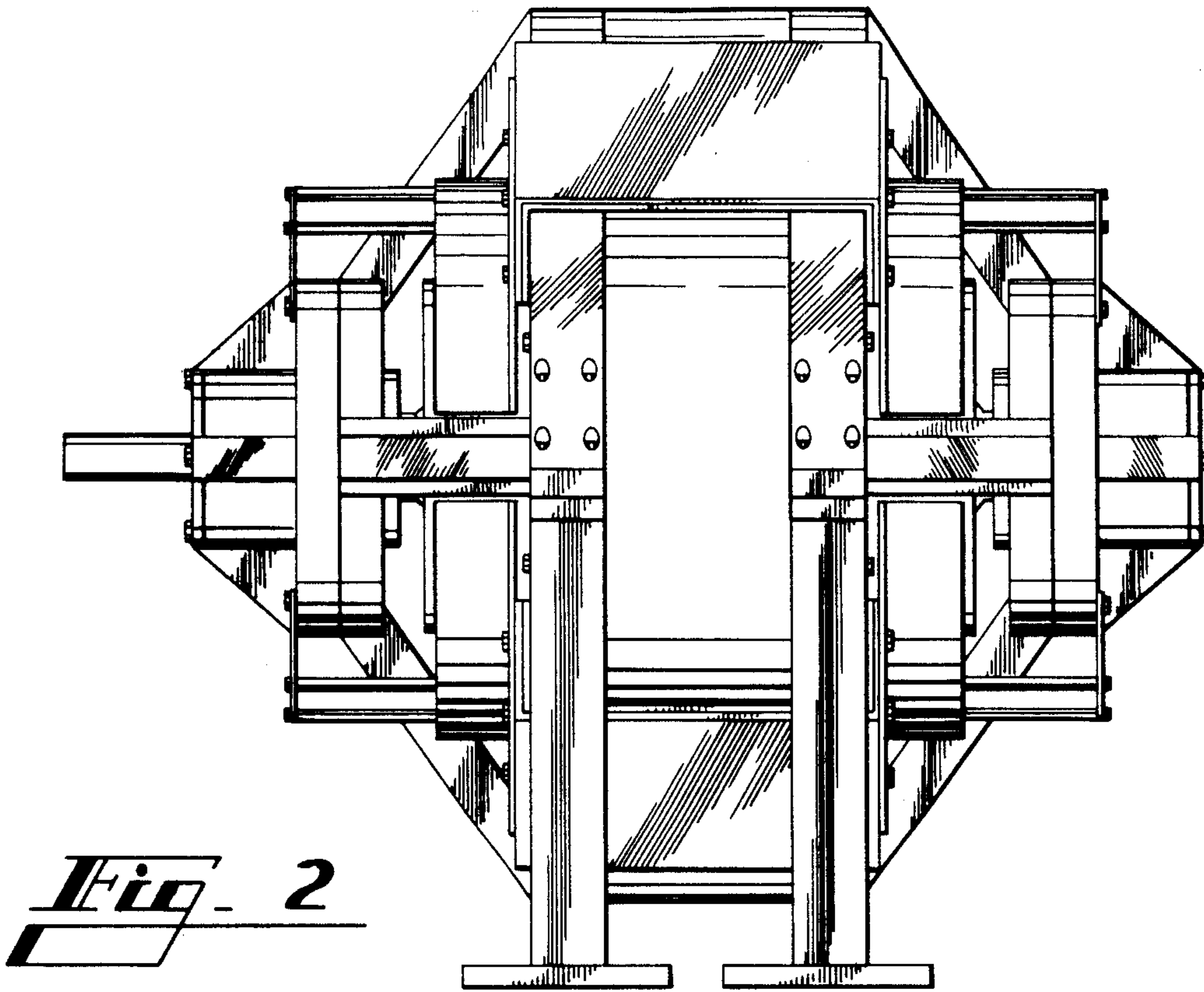
DESCRIPTION

FIG. 1 is a front pictorial view of our homopolar generator showing our new design;  
FIG. 2 is a left side view thereof, on an enlarged scale the right side view being essentially identical thereto;  
FIG. 3 is a front view thereof, on an enlarged scale the rear view being essentially identical thereto;  
FIG. 4 is a top view thereof, on an enlarged scale;  
FIG. 5 is a bottom view thereof, on an enlarged scale.

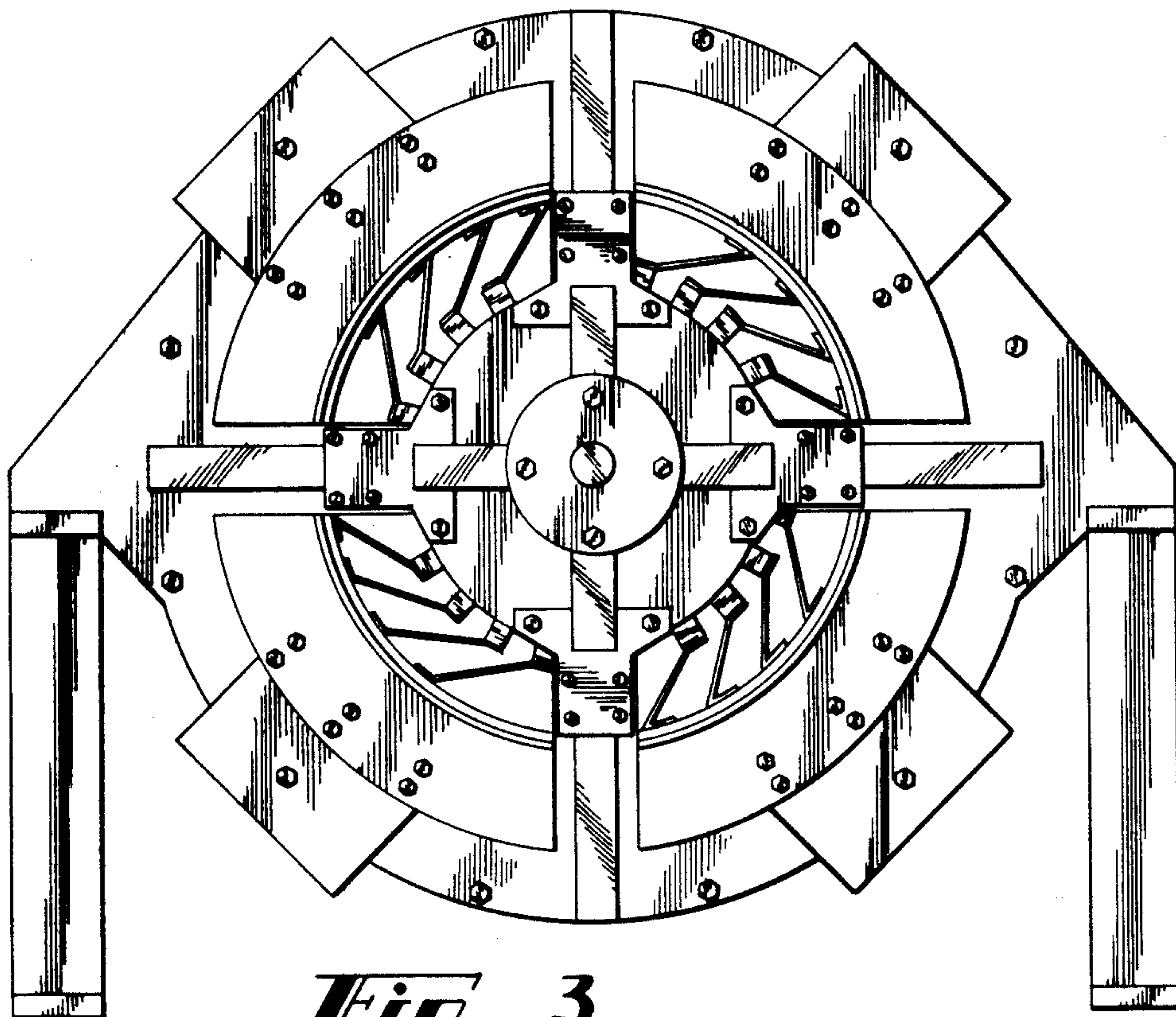




**Fig. 1**

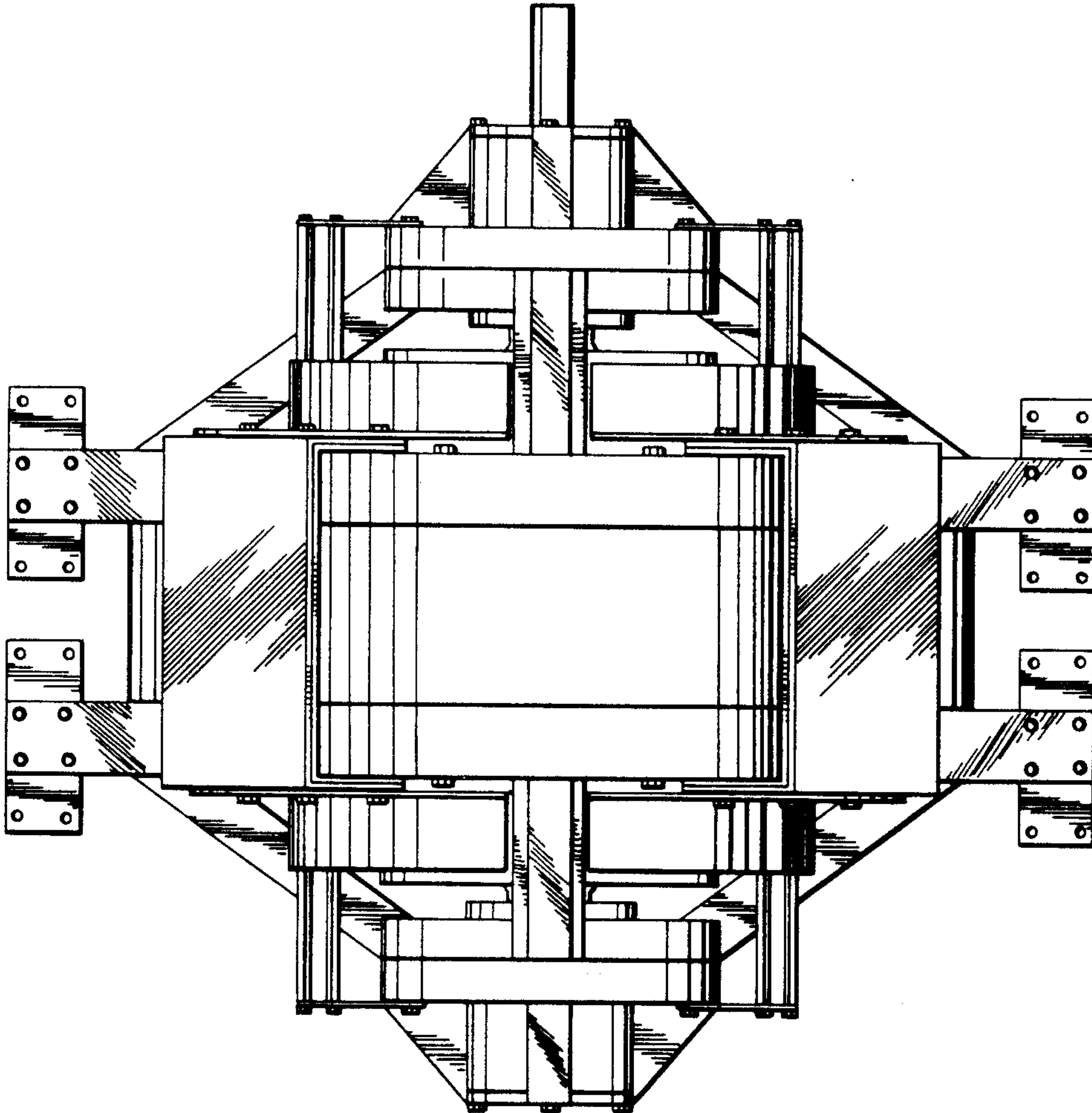


*Fig.* 2

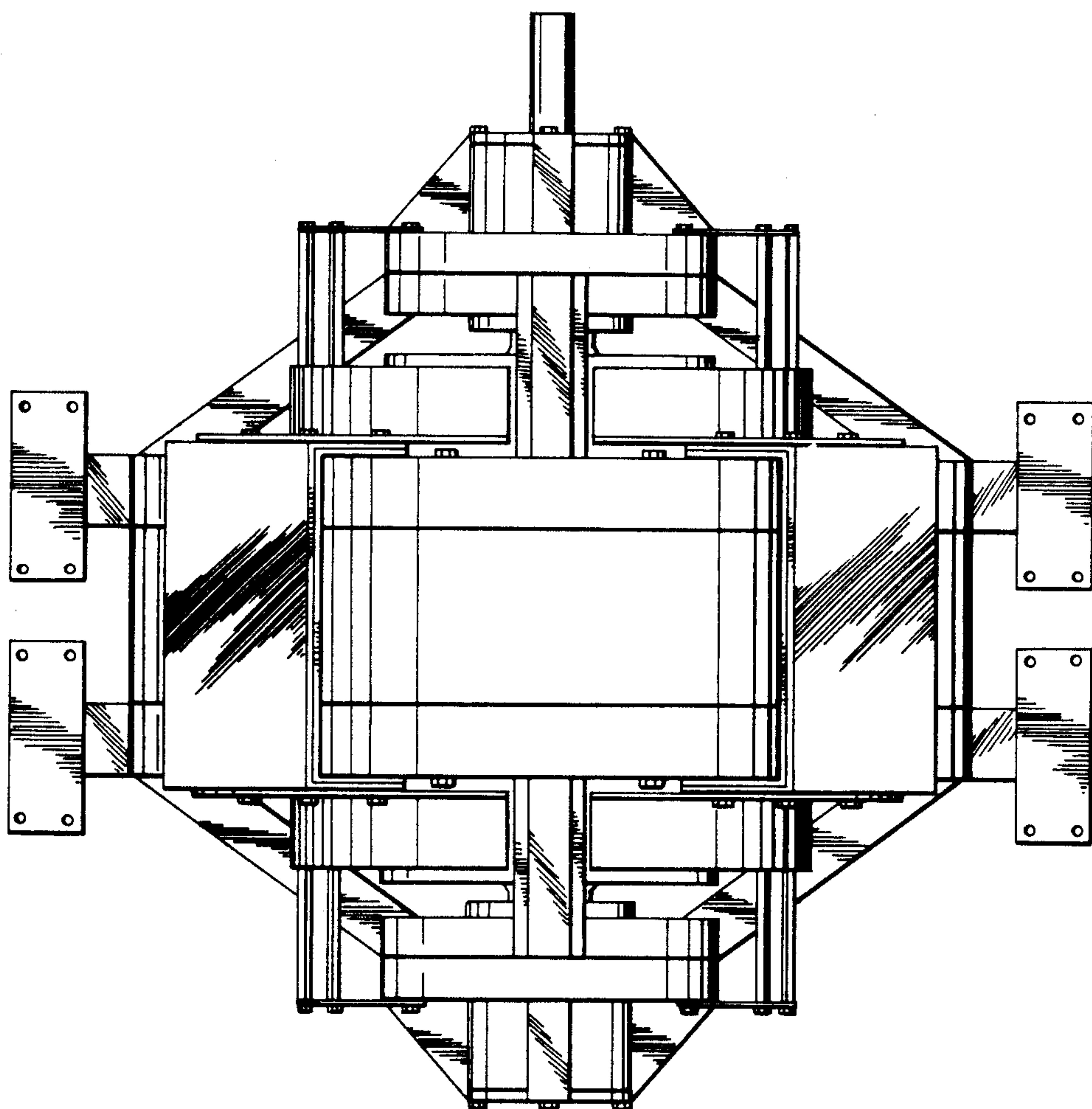


*Fig.* 3





*Fig. 4*



*Fig.* 5